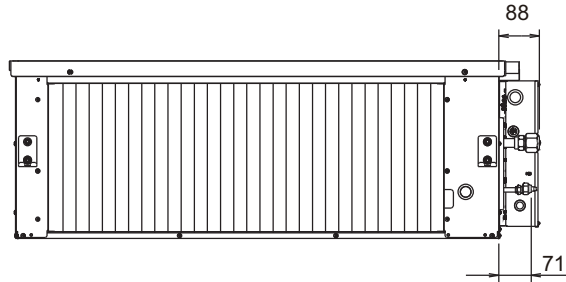


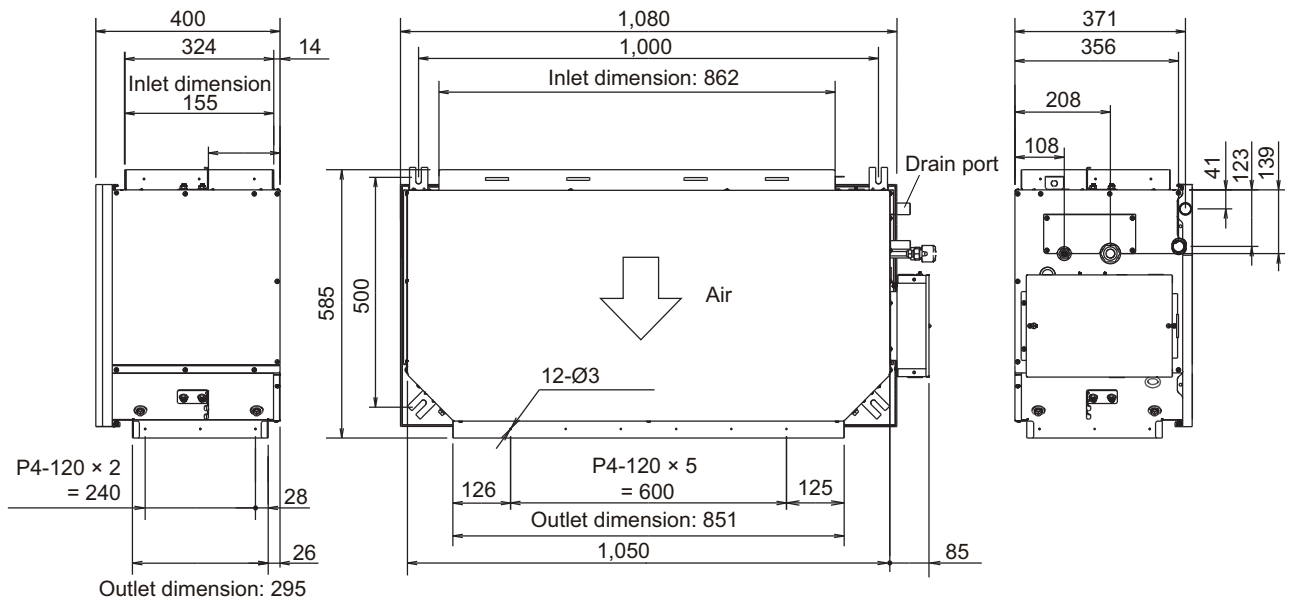
4-9. High static pressure duct type

■ Models: ARXC036GTEH, ARXC45GATH, and ARXC60GATH

Unit: mm



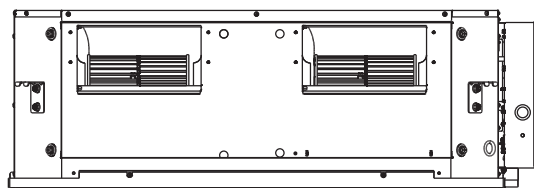
Rear view



Side view (L)

Top view

Side view (R)



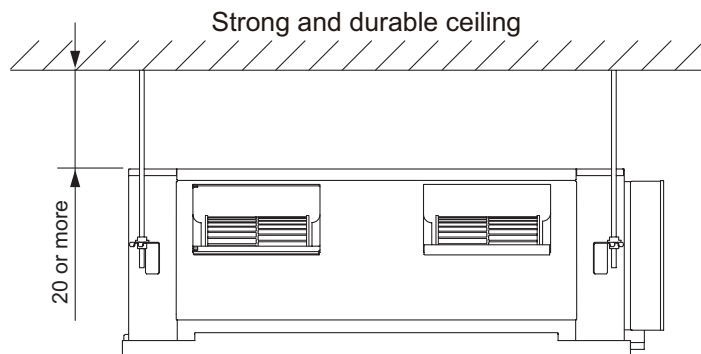
Front view

INDOOR UNITS

INDOOR UNITS

■ Installation space requirement

Unit: mm

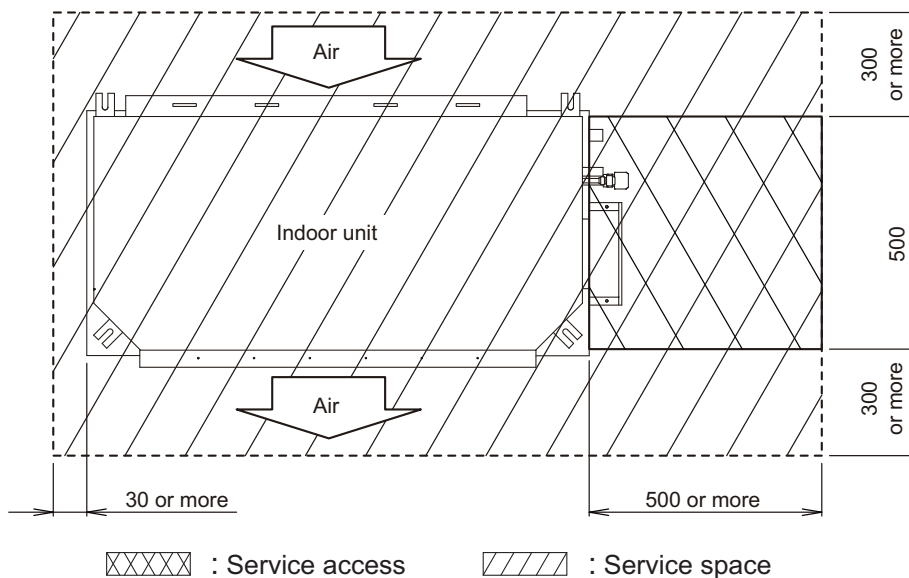


■ Maintenance space requirement

For future maintenance and service access, provide sufficient maintenance space.

NOTE: Do not place any wiring or illumination in the maintenance space, as they will impede service.

Unit: mm



Top view

INDOOR
UNITS

INDOOR
UNITS