

ARXC036GTEH

Please visit our webstore for full product and technical documentation 

Unit Type	High Static Ducted
Remote Controller	Option
Nominal Cooling Capacity (kW)	11.2
UK Total Cooling Capacity (kW)	8.3
UK Sensible Cooling Capacity (kW)	6.9
Nominal Heating Capacity (kW)	11.6
UK Heating Capacity (kW)	12.5
Height (mm)	400
Width (mm)	1050
Depth (mm)	500
Weight (kg)	40
Standard Static Pressure (Pa)	100
Static Pressure Range (Pa)	0 to 200
Airflow Rate - Cooling - High (m3/h)	1990
Sound Pressure Level - Cooling - High (dB(A))	42
Sound Pressure Level - Cooling - Low (dB(A))	32
Refrigerant Type (Global Warming Potential)	R410A (2,088)
Liquid Pipe Size	3/8"
Gas Pipe Size	5/8"
Unit Power Supply	1Ph-230V-50Hz



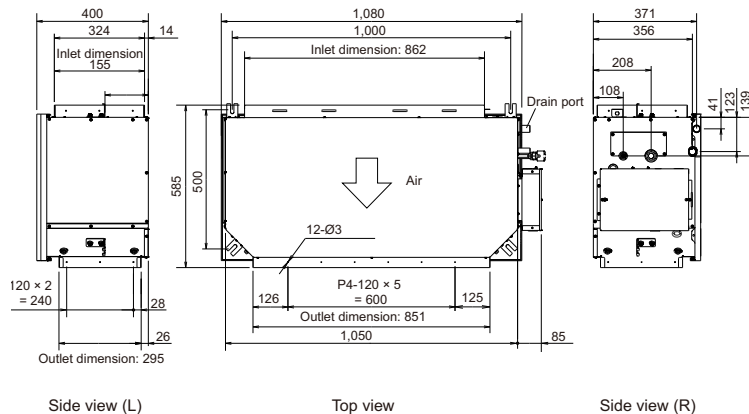
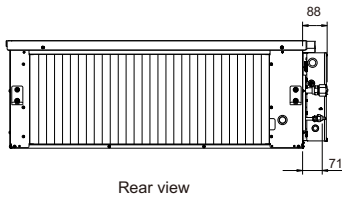
Document Downloads

- [Airflow](#)
- [Cooling Capacity](#)
- [Dimensional Drawing](#)
- [Electrical Characteristics](#)
- [Fan Curve](#)
- [Heating Capacity](#)
- [Installation Manual](#)
- [Noise Curve](#)
- [Operation Manual](#)
- [Product Image](#)
- [Spare Parts List All Pages](#)
- [Specifications](#)
- [Wiring Diagram](#)

Related Items

- [UTDLF60KA](#) Long Life Filter Kit
- [UTYRNRZY5](#) Touch Screen Remote Controller
- [UTYRCRYZ1](#) Compact Simple Remote controller
- [UTYRSRY](#) Simple Remote Controller (with Master Control)
- [UTYRHRV](#) Simple Remote Controller (without Master Control)
- [UTYLNHY](#) Wireless Remote Controller
- [UTYTFSXZ1](#) Wireless LAN interface
- [UTYTRHX](#) Infra-Red Receiver

Unit: mm



*Specifications and design are subject to change without notice for further improvement.
 •Actual products' colors may be different from the colors shown in this printed material.

Distributed by :

FUJITSU GENERAL AIR CONDITIONING (UK) LIMITED
 Unit 150, Centennial Park, Centennial Avenue, Elstree, Borehamwood, Herts, WD6 3SG

www.fujitsu-general.com/uk

sales@fgac.fujitsu-general.com

Tel: +44 (0) 208 731 3450 Fax: +44 (0) 208 731 3451