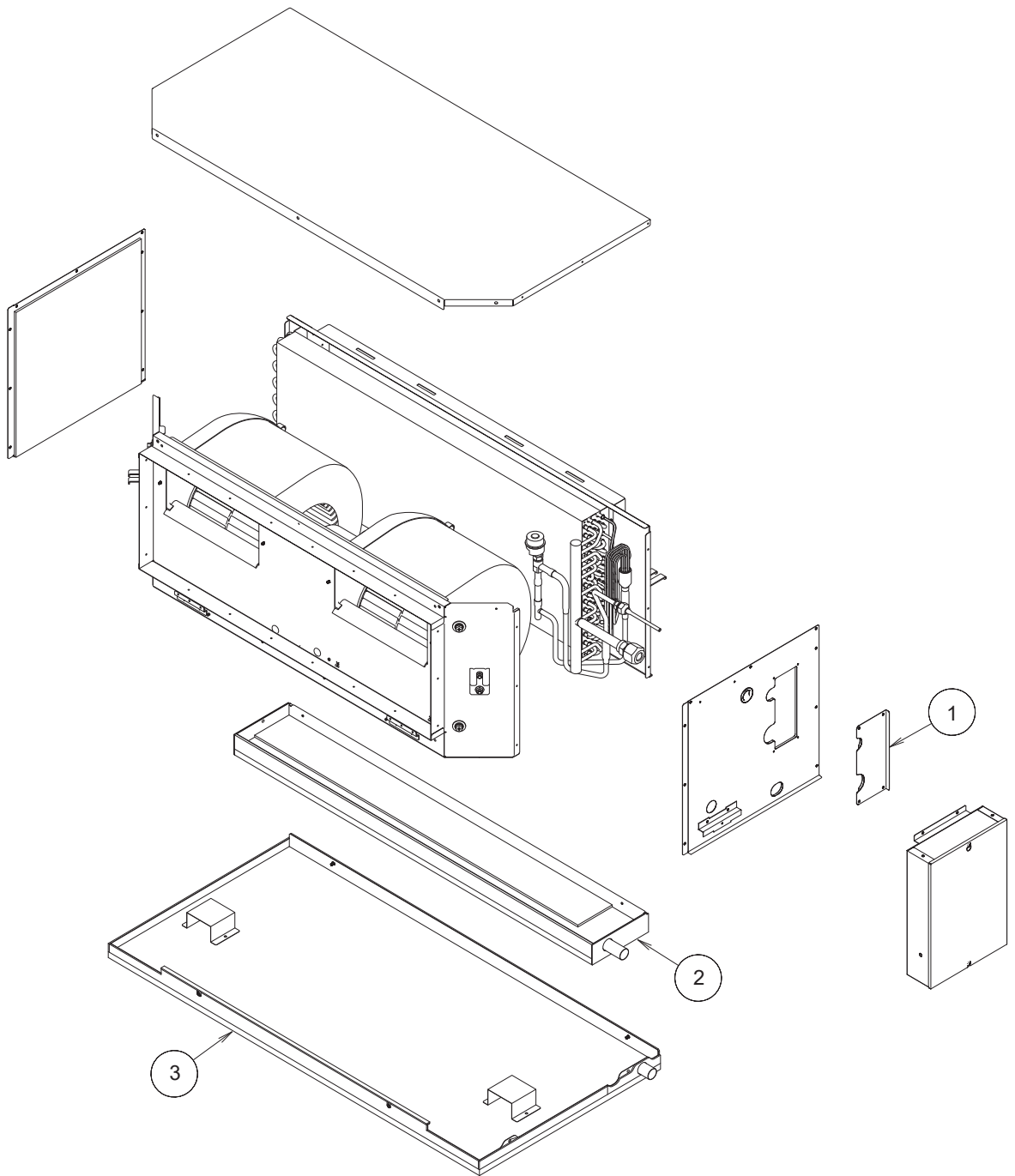
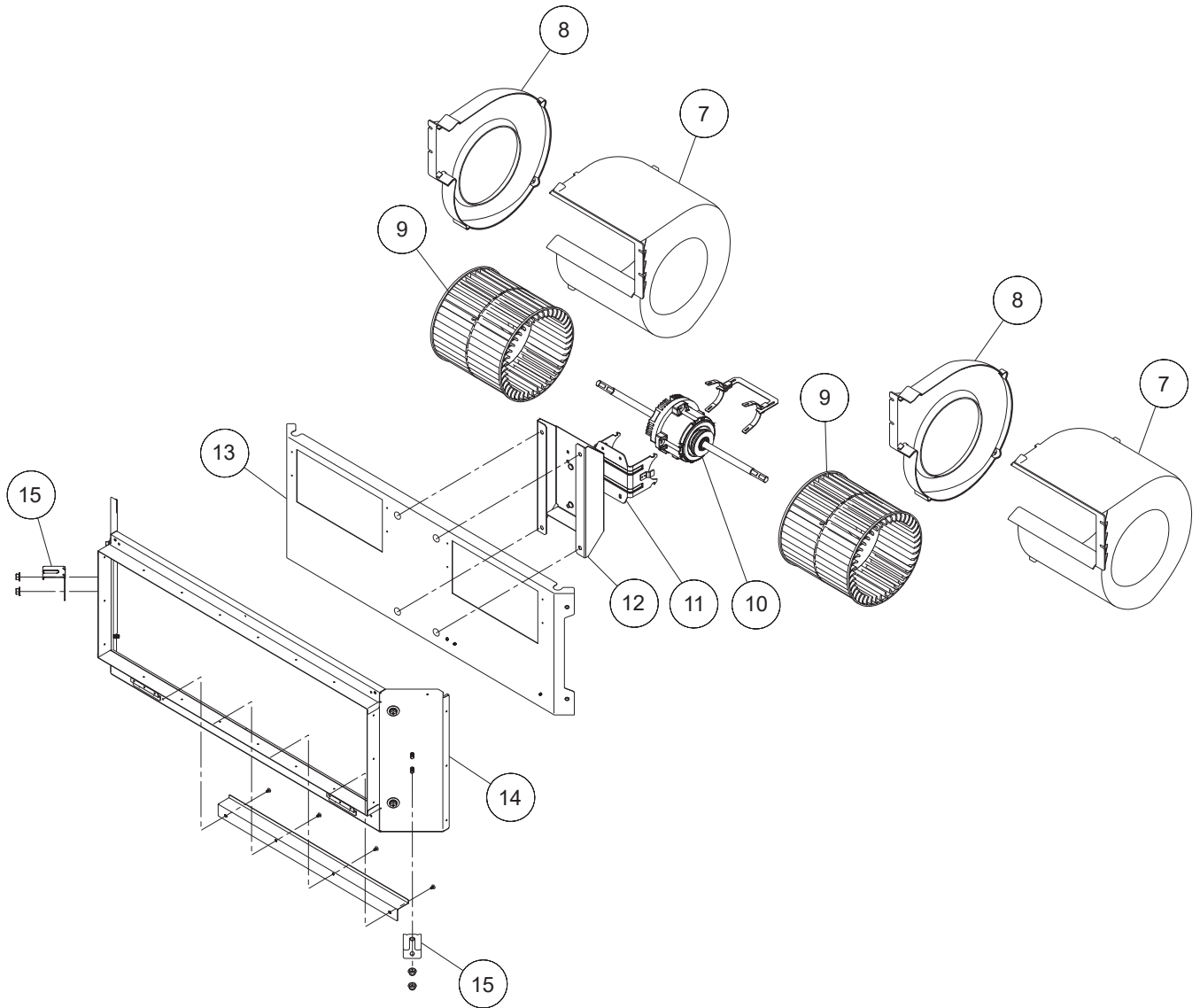


MODEL : ARXC036GTE0H



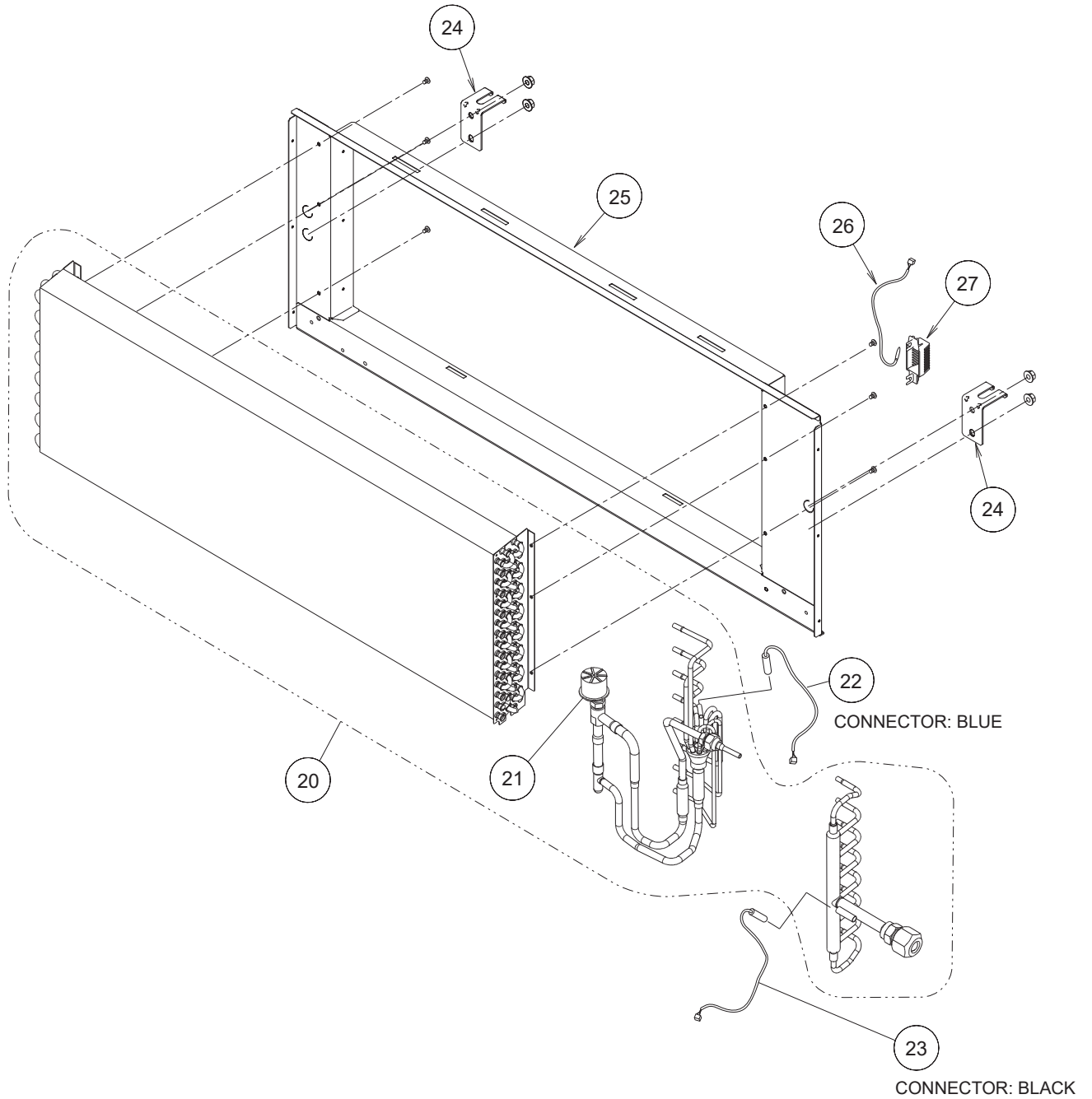
Ref No.	Description	Parts No.					Q'ty
		ARXC036GTEH					
1	KIT(PANEL MAINTÉ SA)	9372583012					
2	DRAIN PAN SA	9372579015					
3	DRAIN PAN S SA	9372582015					

MODEL : ARXC036GTEH



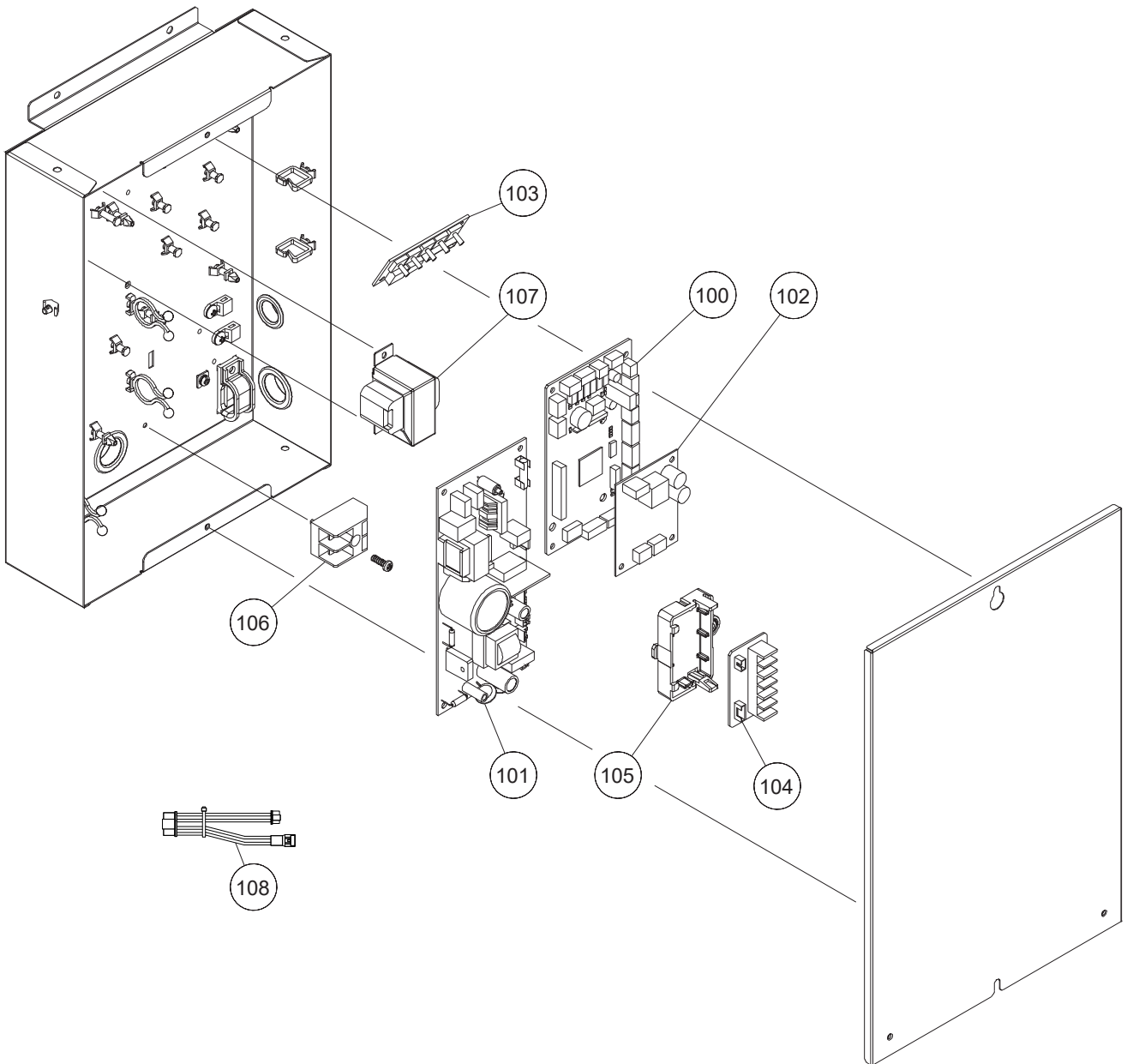
Ref No.	Description	Parts No.					Q'ty
		ARXC036GTEH					
7	CASING A	9372057018					
8	CASING B	9372058015					
9	SIROCCO FAN ASSY (SERVICE)	9380454007					
10	DC MOTOR	9603086015					
11	MOTOR MOUNT AS	9380216001					
12	BRACKET MTR ASSY	9372037010					
13	PANEL FAN ASSY	9372035009					
14	KIT(PANEL FRONT SA)	9372637029					
15	HOOK METAL	9372055007					

MODEL : ARXC036GTEH



Ref No.	Description	Parts No.					Q'ty
		ARXC036GTEH					
20	EVAPORATOR SUB ASSY	9372584255					
21	EXPANSION VALVE	9970086083					
22	THERMISTOR (PIPE-IN)	9901014017					
23	THERMISTOR (PIPE-OUT)	9900881061					
24	HOOK METAL	9372055007					
25	KIT (PNL REAR SA)	9372636039					
26	THERMISTOR (ROOM)	9703299216					
27	BRACKET (THERMOSTAT)	9367369010					

MODEL : ARXC036GTEH



Ref No.	Description	Parts No.				Q'ty
		ARXC036GTEH				
100	CONTROLLER PCB	9711039132				
101	POWER SUPPLY PCB	9711356048				
102	COMMUNICATION PCB	9709373019				
103	SWITCH PCB	9707732030				
104	TERMINAL PCB	9707736038				
105	PWB HOLDER B	9378345010				
106	TERMINAL 2P	9703873027				
107	REACTOR	9707457018				
108	THERMISTOR CONNECTION WIRE	9707854022				