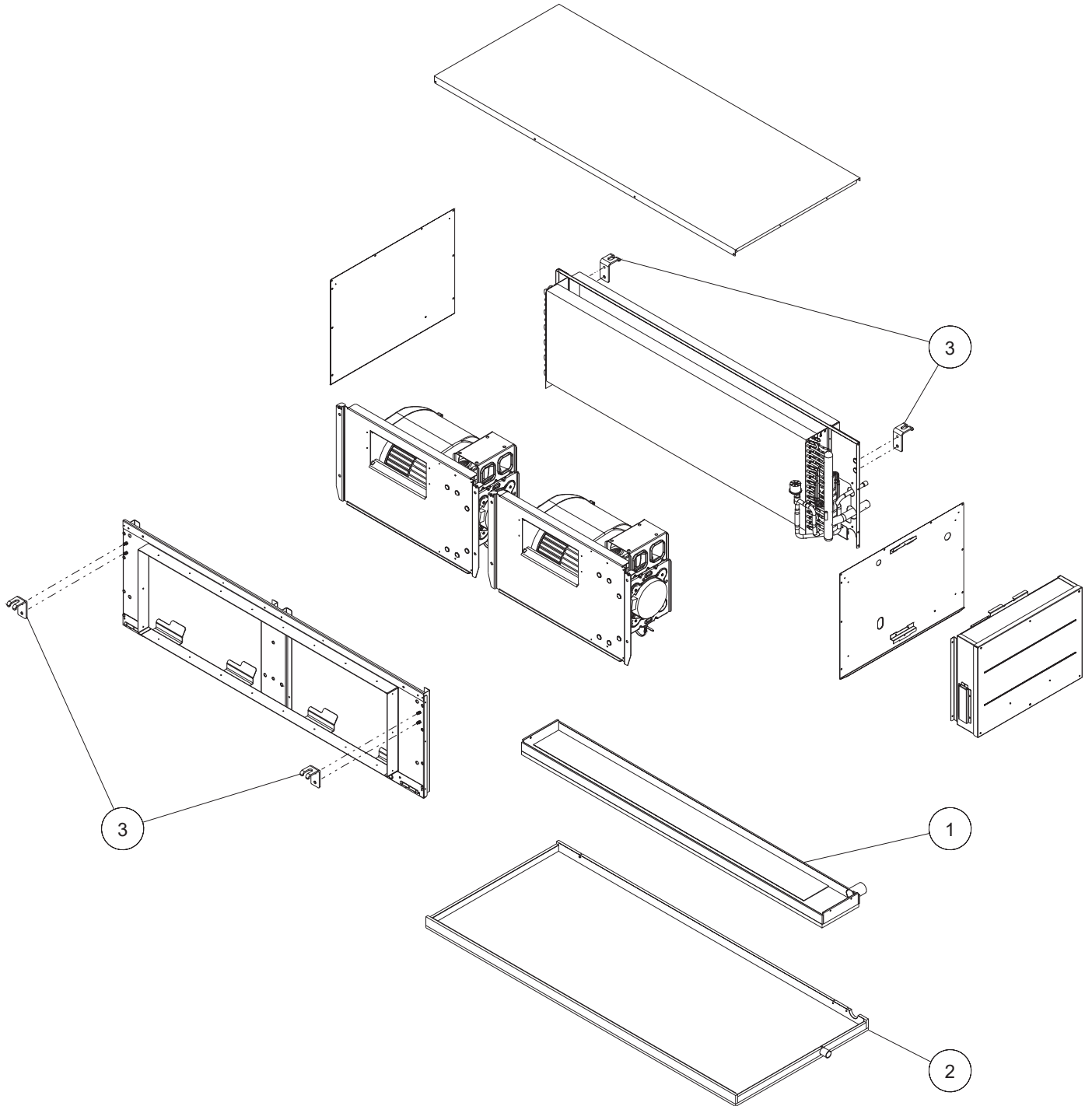
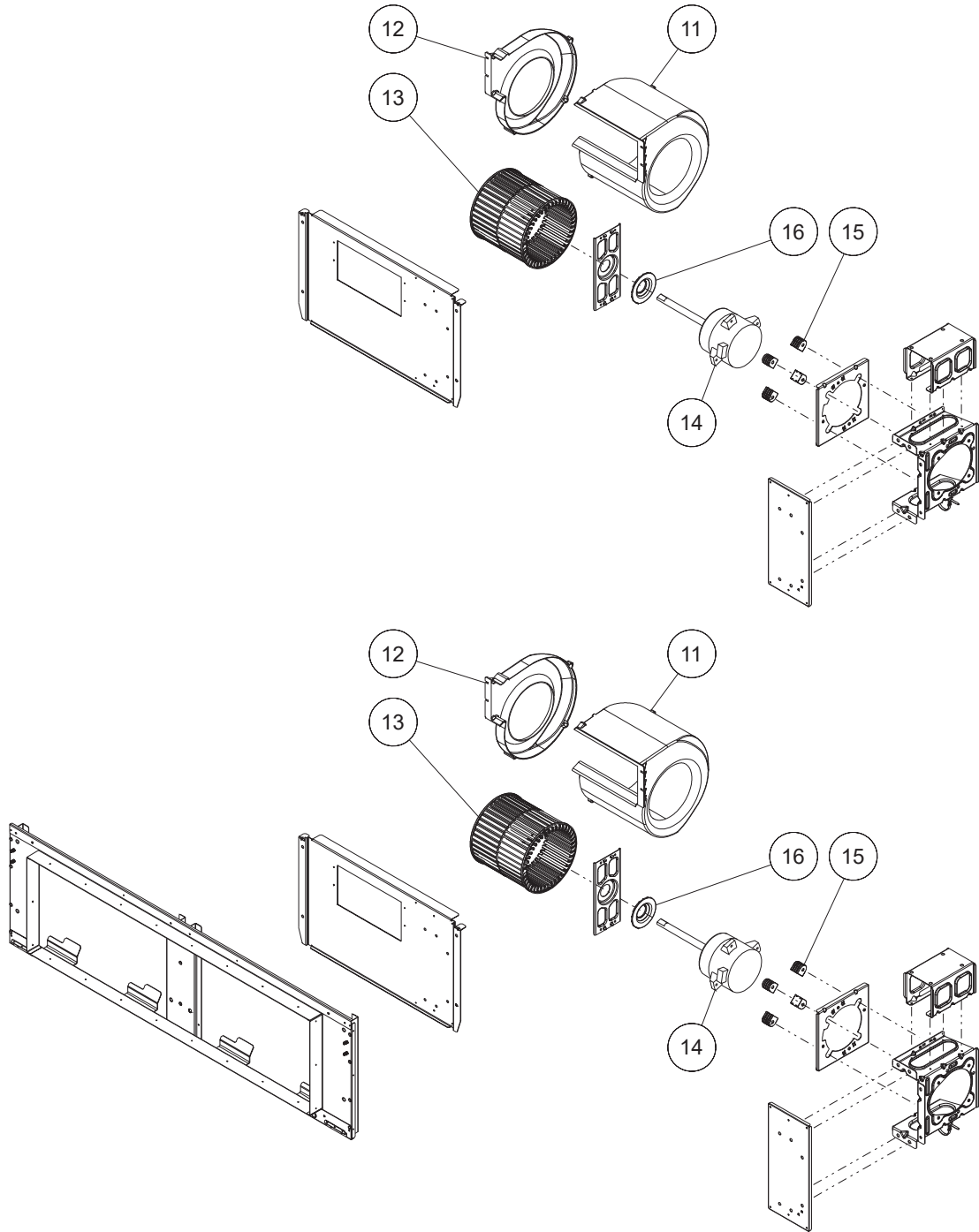


MODELS : ARXC072/ 090GTEH



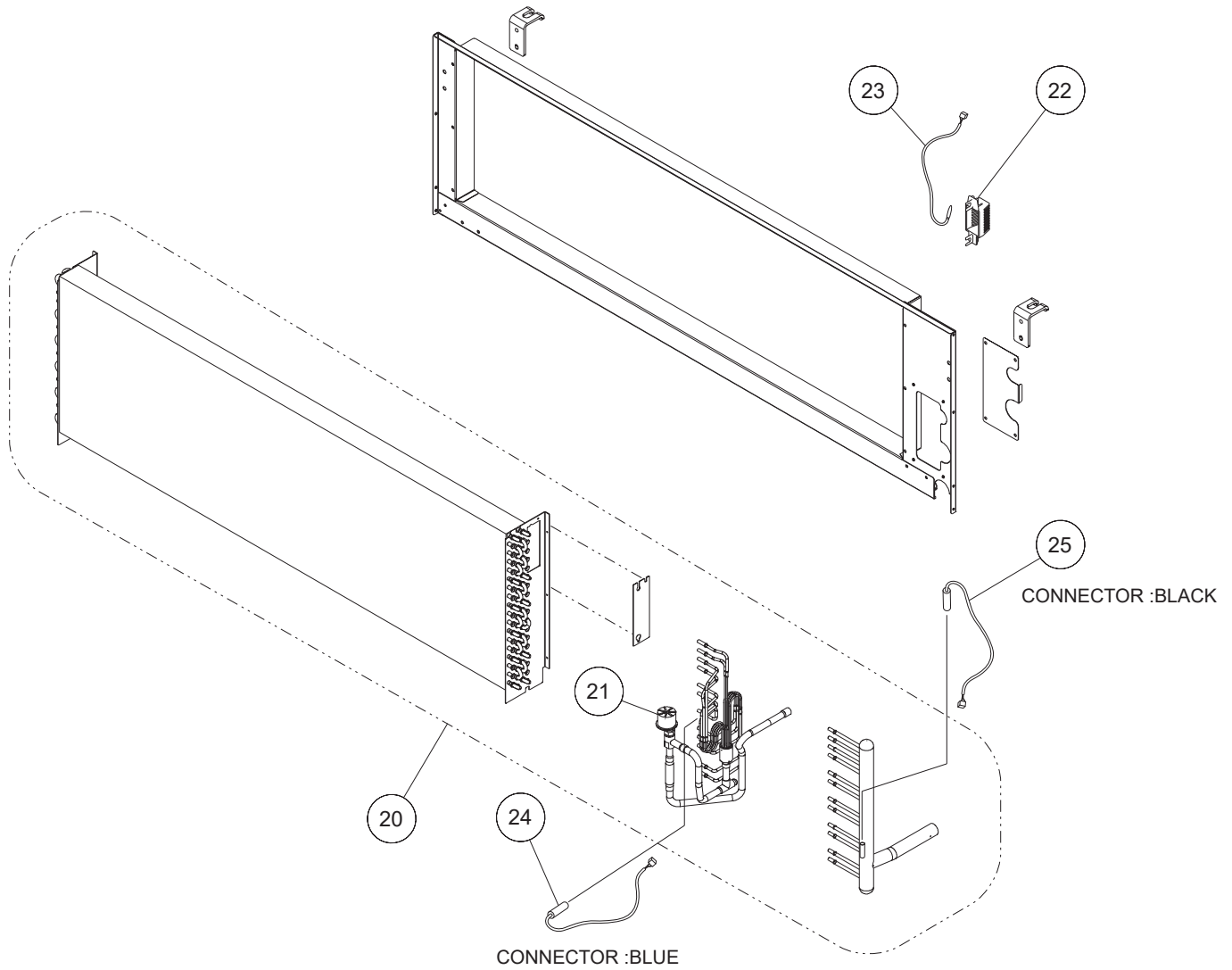
Ref No.	Description	Parts No.				Q'ty
		ARXC072GTEH	ARXC090GTEH			
1	DRAIN PAN SA	9379917001	9379917001			
2	S DRAIN PAN SA	9379918015	9379918015			
3	HOOK METAL	9364669007	9364669007			

MODELS : ARXC072/ 090GTEH



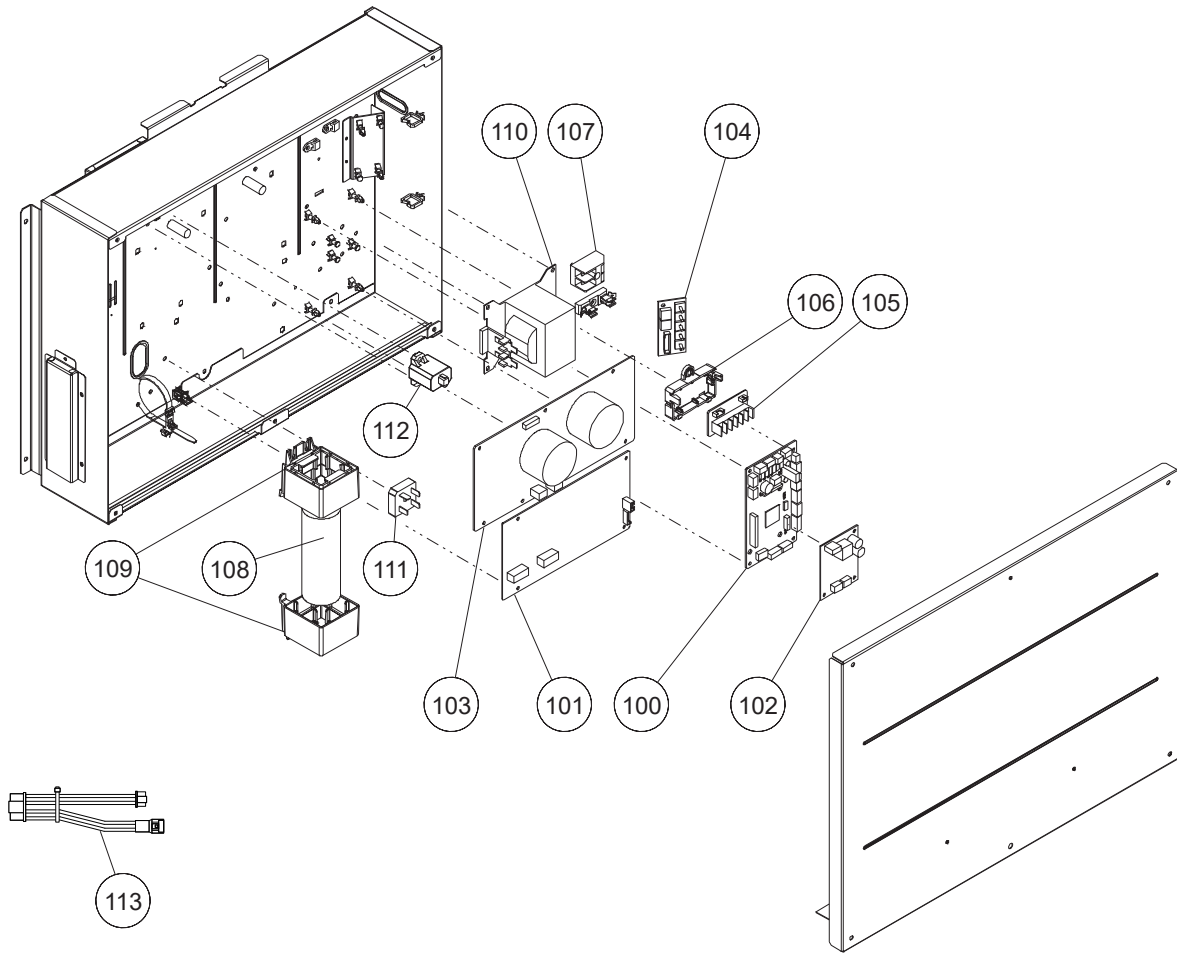
Ref No.	Description	Parts No.				Q'ty
		ARXC072GTEH	ARXC090GTEH			
11	CASING A	9372057018	9372057018			
12	CASING B	9372058015	9372058015			
13	SIROCCO FAN ASSY (SERVICE)	9380454007	9380454007			
14	DC MOTOR	9603411015	9603411015			
15	CUSHION RUBBER	9379670005	9379670005			
16	CUSHION RUBBER(MOTOR)	9379501002	9379501002			

MODELS : ARXC072/ 090GTEH



Ref No.	Description	Parts No.			Q'ty
		ARXC072GTEH	ARXC090GTEH		
20	EVAPORATOR TOTAL ASSY	9379739153	9379739153		
21	EXPANSION VALVE	9970087059	9970087059		
22	BRACKET (THERMOSTAT)	9367369010	9367369010		
23	THERMISTOR (ROOM)	9900541026	9900541026		
24	THERMISTOR (PIPE-IN)	9901014024	9901014024		
25	THERMISTOR (PIPE-OUT)	9900881023	9900881023		

MODELS : ARXC072/ 090GTEH



Ref No.	Description	Parts No.			Q'ty
		ARXC072GTEH	ARXC090GTEH		
100	CONTROLLER PCB	9711039033	9711039033		
101	POWER SUPPLY PCB	9708279022	9708279022		
102	COMMUNICATION PCB	9709373019	9709373019		
103	FILTER PCB	9709705025	9709705025		
104	SWITCH PCB	9707732030	9707732030		
105	TERMINAL PCB	9707736014	9707736014		
106	PWB HOLDER B	9378345010	9378345010		
107	TERMINAL 2P	9703873027	9703873027		
108	CAPACITOR (FAN MOTOR)	9705387010	9705387010		
109	BRACKET (CAPACITOR)	9373155010	9373155010		
110	REACTOR	9900554019	9900554019		
111	DIODE BRIDGE	0100122107	0100122107		
112	PTC THERMISTOR	9704265012	9704265012		
113	THERMISTOR CONNECTION WIRE	9707854022	9707854022		