

ARXC090GTEH

Please visit our webstore for full product and technical documentation 

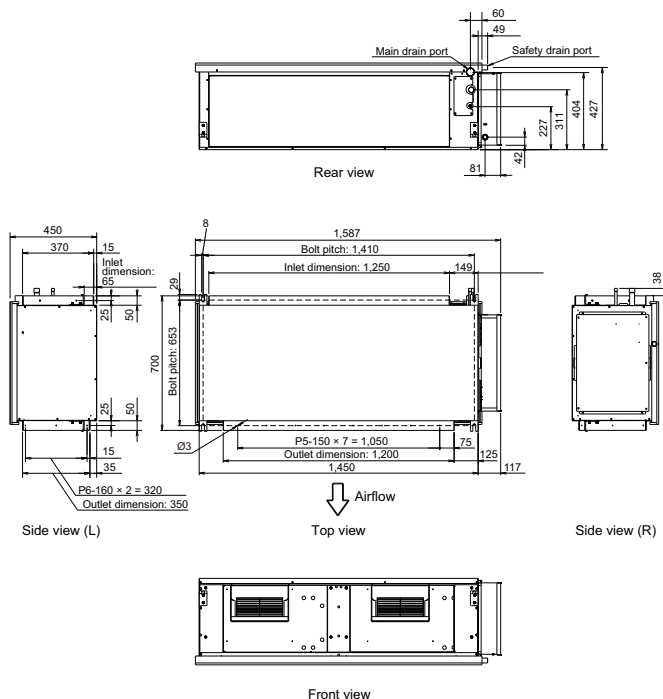
Unit Type	High Static Ducted	
Remote Controller	Option	
Nominal Cooling Capacity (kW)	25.0	
UK Total Cooling Capacity (kW)	18.6	
UK Sensible Cooling Capacity (kW)	15.6	
Nominal Heating Capacity (kW)	26.0	
UK Heating Capacity (kW)	28.0	
Height (mm)	450	
Width (mm)	1587	
Depth (mm)	700	
Weight (kg)	84	
Standard Static Pressure (Pa)	150	
Static Pressure Range (Pa)	0 to 300	
Airflow Rate - Cooling - High (m3/h)	4300	
Sound Pressure Level - Cooling - High (dB(A))	48	
Sound Pressure Level - Cooling - Low (dB(A))	44	
Refrigerant Type (Global Warming Potential)	R410A (2,088)	
Liquid Pipe Size	3/8"	
Gas Pipe Size	3/4"	
Unit Power Supply	1Ph-230V-50Hz	



Document Downloads

- [Airflow](#)
 - [Cooling Capacity](#)
 - [Dimensional Drawing](#)
 - [Electrical Characteristics](#)
 - [Fan Curve](#)
 - [Heating Capacity](#)
 - [Installation Manual](#)
 - [Noise Curve](#)
 - [Operation Manual](#)
- [Product Image](#)
 - [Spare Parts List All Pages](#)
 - [Specifications](#)
 - [Wiring Diagram](#)

Unit: mm



*Specifications and design are subject to change without notice for further improvement.
 *Actual products' colors may be different from the colors shown in this printed material.

Distributed by :

FUJITSU GENERAL AIR CONDITIONING (UK) LIMITED
 Unit 150, Centennial Park, Centennial Avenue, Elstree, Borehamwood, Herts, WD6 3SG

www.fujitsu-general.com/uk

sales@fgac.fujitsu-general.com

Tel: +44 (0) 208 731 3450 Fax: +44 (0) 208 731 3451