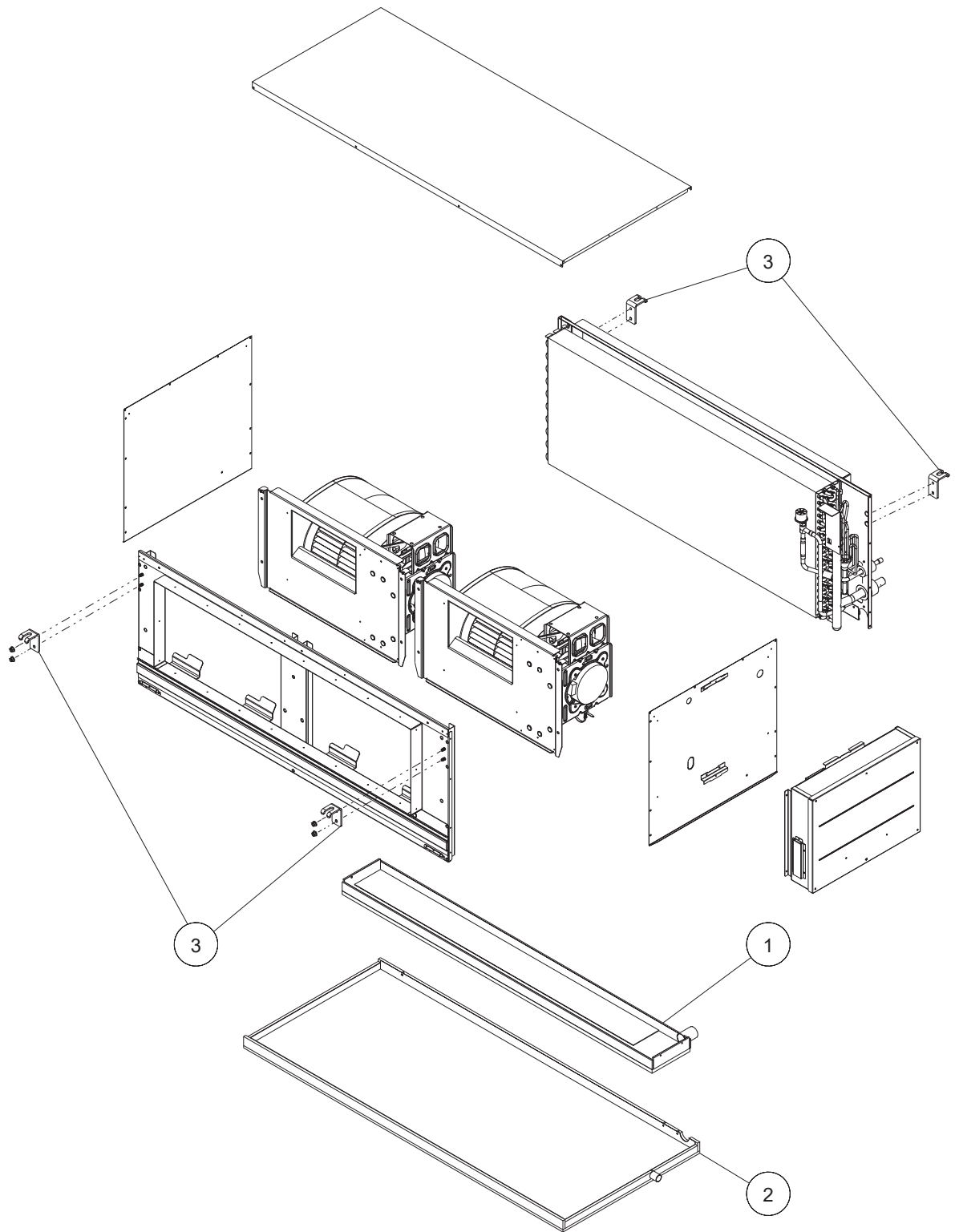
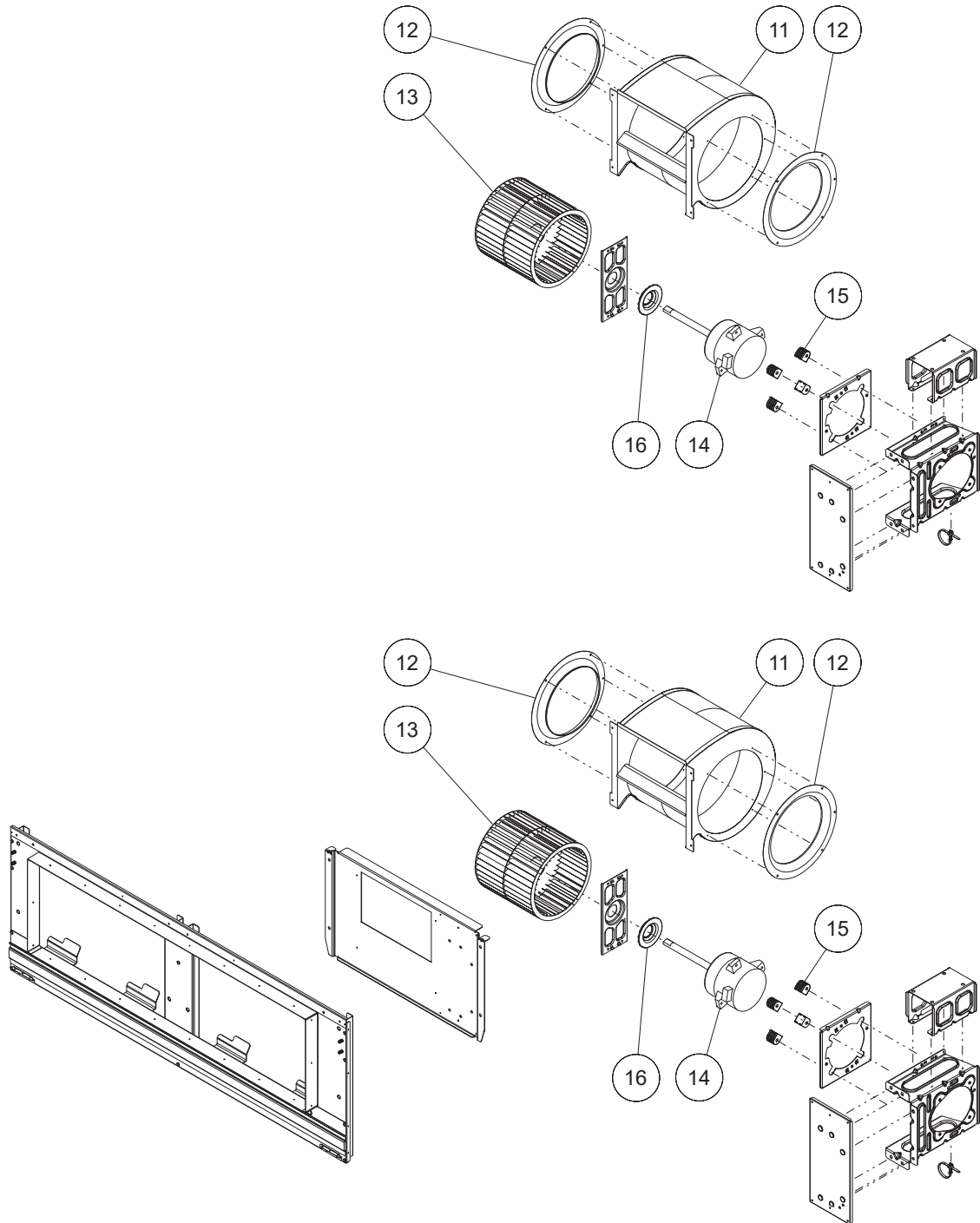


MODEL : ARXC096GTEH



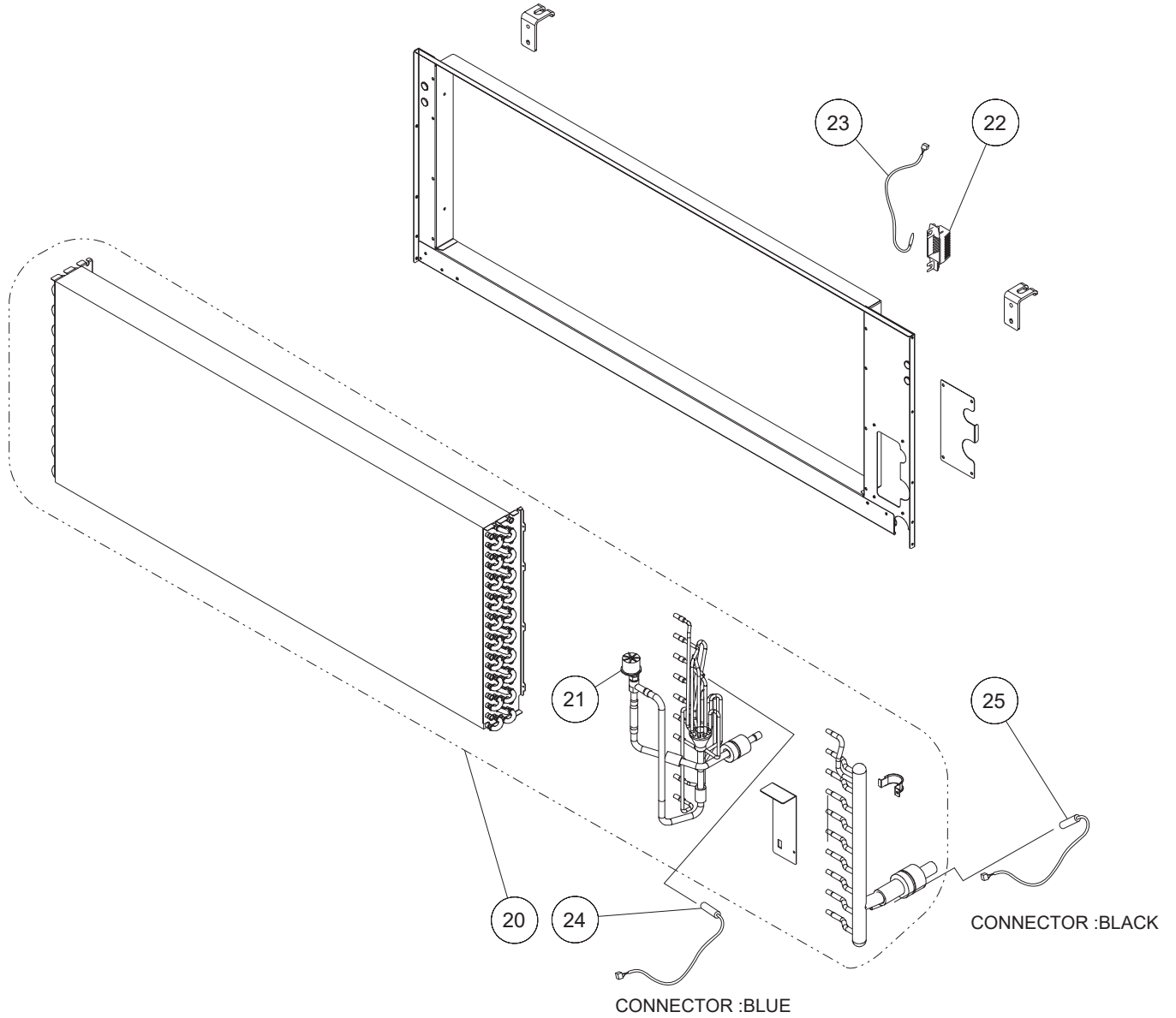
| Ref No. | Description | Parts No. | | | Q'ty |
|---------|----------------|-------------|--|--|------|
| | | ARXC096GTEH | | | |
| 1 | DRAIN PAN SA | 9379917018 | | | |
| 2 | S DRAIN PAN SA | 9379918015 | | | |
| 3 | HOOK METAL | 9364669007 | | | |

MODEL : ARXC096GTEH



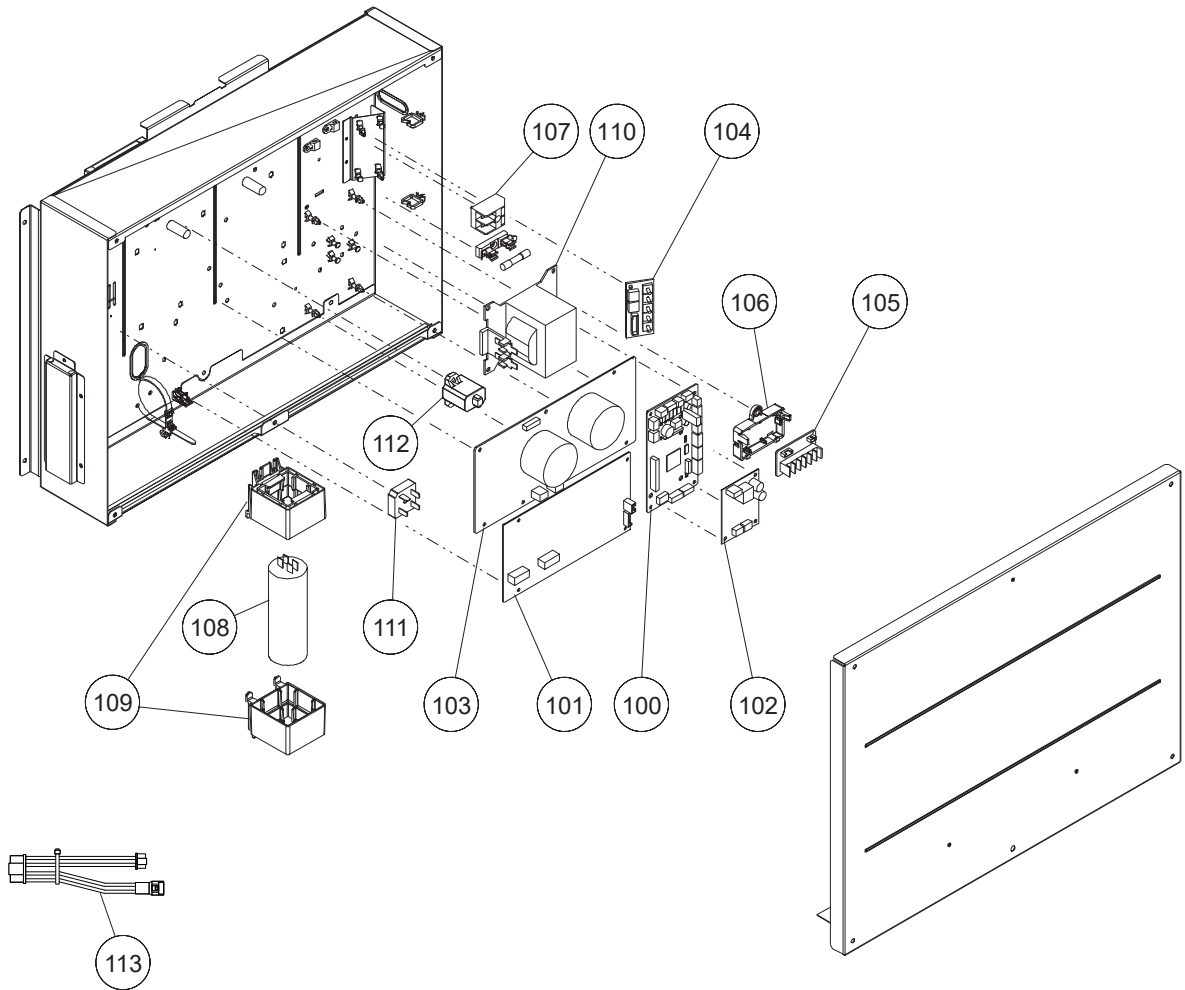
| Ref No. | Description | Parts No. | | | Q'ty |
|---------|-----------------------|-------------|--|--|------|
| | | ARXC096GTEH | | | |
| 11 | KIT (CASING SA) | 9371381015 | | | |
| 12 | KIT (BELL MOUTH SA) | 9371382012 | | | |
| 13 | SIROCCO FAN | 9364665054 | | | |
| 14 | DC MOTOR | 9602931019 | | | |
| 15 | CUSHION RUBBER | 9379670005 | | | |
| 16 | CUSHION RUBBER(MOTOR) | 9379501002 | | | |

MODEL : ARXC096GTEH



| Ref No. | Description | Parts No. | | | Q'ty |
|---------|-----------------------|--------------|--|--|------|
| | | ARXC096GTEH | | | |
| 20 | EVAPORATOR TOTAL ASSY | 9379739160 | | | |
| 21 | EXPANSION VALVE | 9970087059 | | | |
| 22 | BRACKET (THERMISTOR) | 313557406106 | | | |
| 23 | THERMISTOR (ROOM) | 9900541026 | | | |
| 24 | THERMISTOR (PIPE-IN) | 9901014017 | | | |
| 25 | THERMISTOR (PIPE-OUT) | 9900874001 | | | |

MODEL : ARXC096GTEH



| Ref No. | Description | Parts No. | | | Q'ty |
|---------|----------------------------|-------------|--|--|------|
| | | ARXC096GTEH | | | |
| 100 | CONTROLLER PCB | 9711039149 | | | |
| 101 | POWER SUPPLY PCB | 9708279022 | | | |
| 102 | COMMUNICATION PCB | 9709373019 | | | |
| 103 | FILTER PCB | 9709705025 | | | |
| 104 | SWITCH PCB | 9707732030 | | | |
| 105 | TERMINAL PCB | 9707736014 | | | |
| 106 | PWB HOLDER B | 9378345010 | | | |
| 107 | TERMINAL 2P | 9703873027 | | | |
| 108 | CAPACITOR (FAN MOTOR) | 9705387010 | | | |
| 109 | BRACKET (CAPACITOR) | 9373155010 | | | |
| 110 | REACTOR | 9900554019 | | | |
| 111 | DIODE BRIDGE | 0100122107 | | | |
| 112 | PTC THERMISTOR | 9704265012 | | | |
| 113 | THERMISTOR CONNECTION WIRE | 9707854022 | | | |