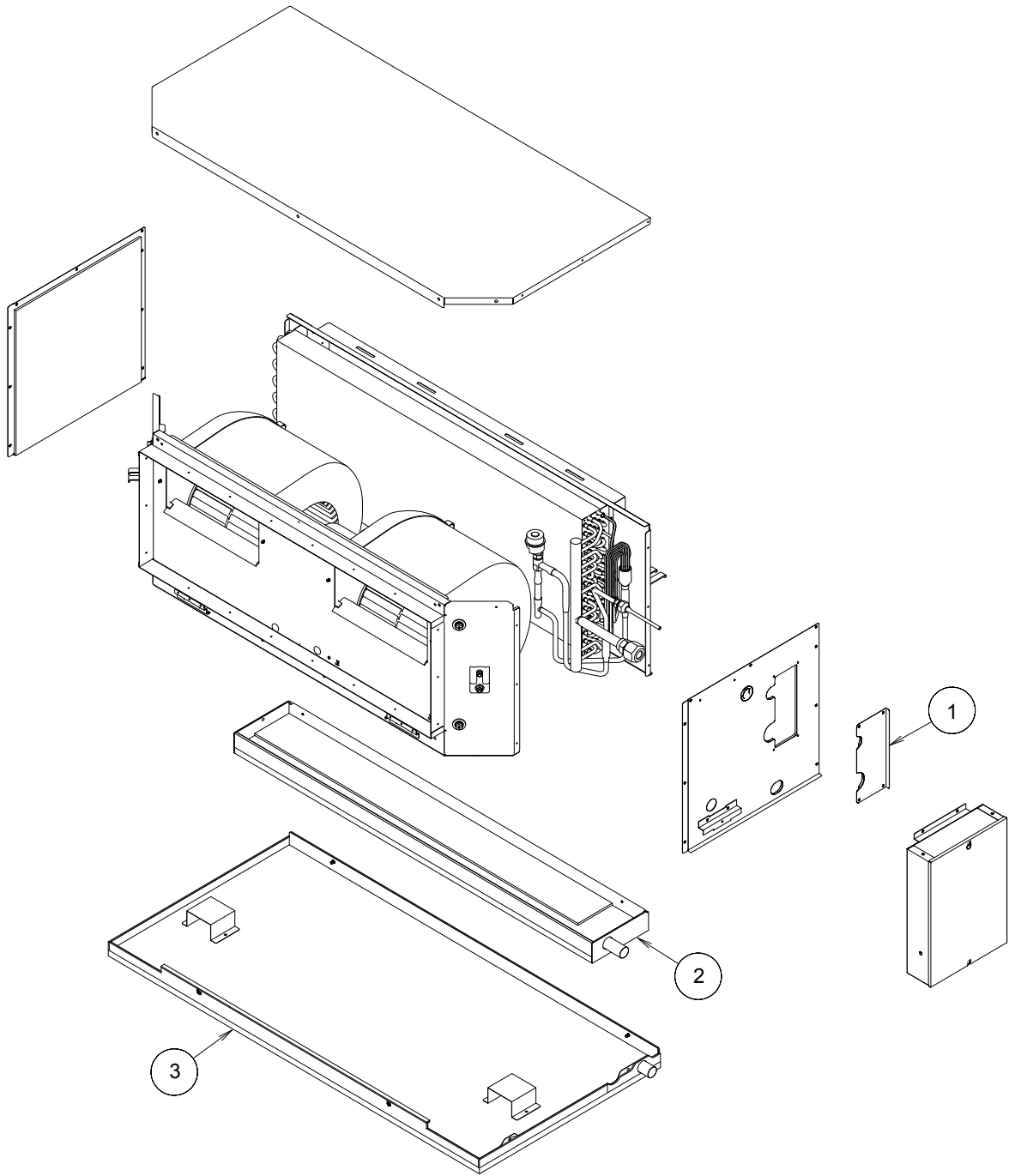
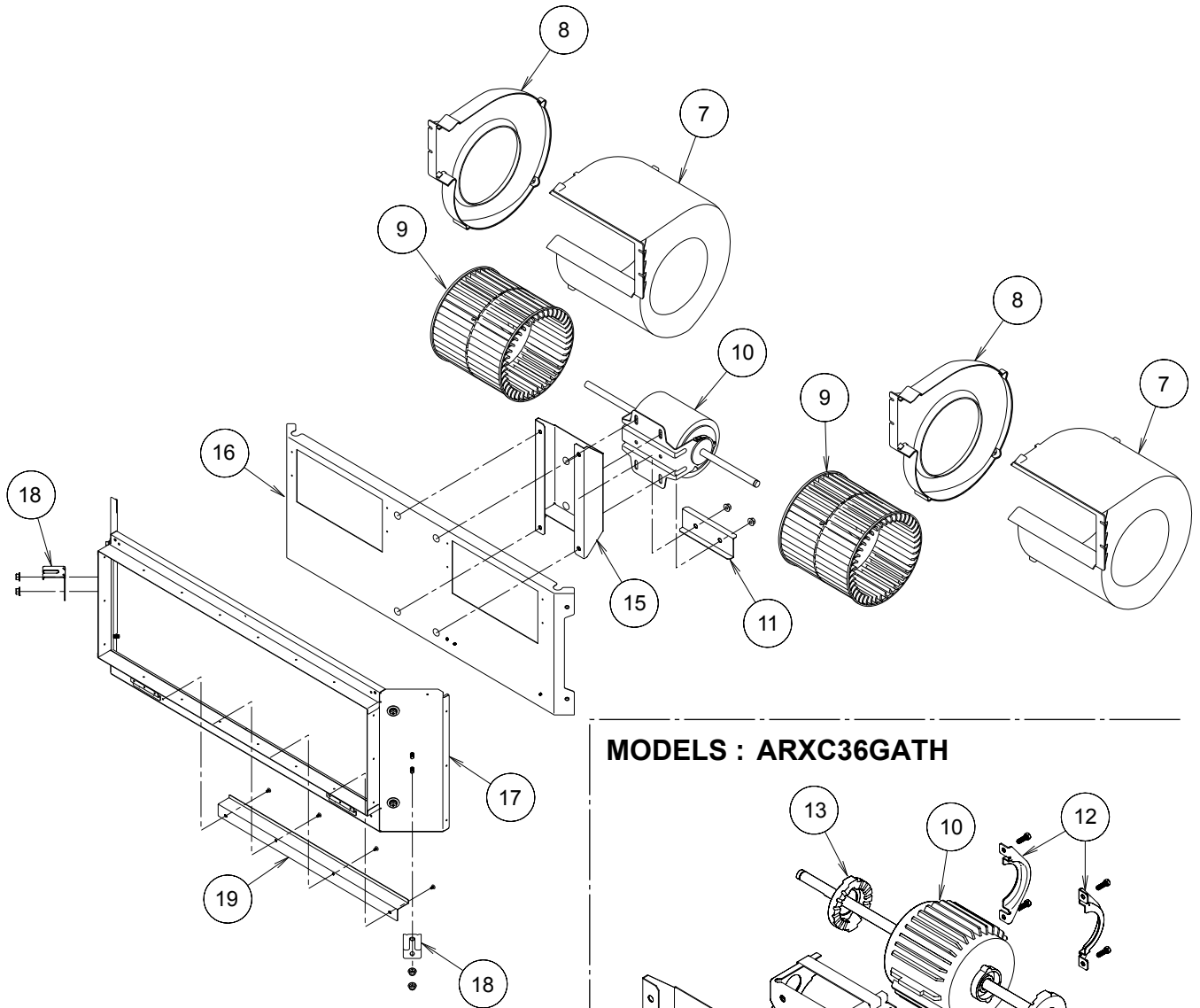


MODELS : ARXC36/ 45/ 60GATH

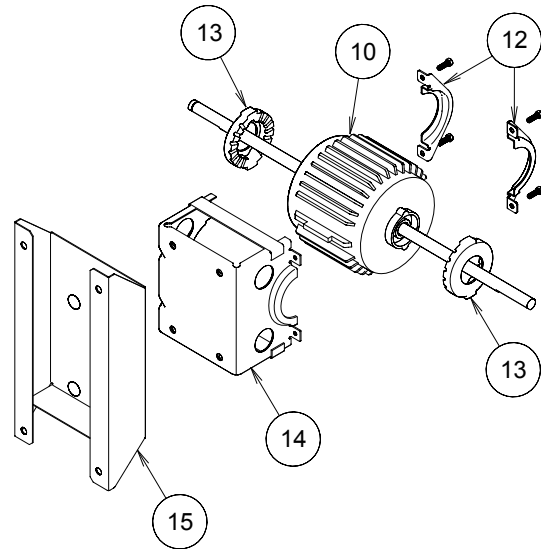


Ref No.	Description	Parts No.			Q'ty
		ARXC36GATH	ARXC45GATH	ARXC60GATH	
1	KIT(PANEL MAINTE SA)	9372583012	9372583012	9372583012	
2	DRAIN PAN SA	9372579015	9372579015	9372579015	
3	DRAIN PAN S SA	9372582015	9372582015	9372582015	

MODELS : ARXC45/ 60GATH

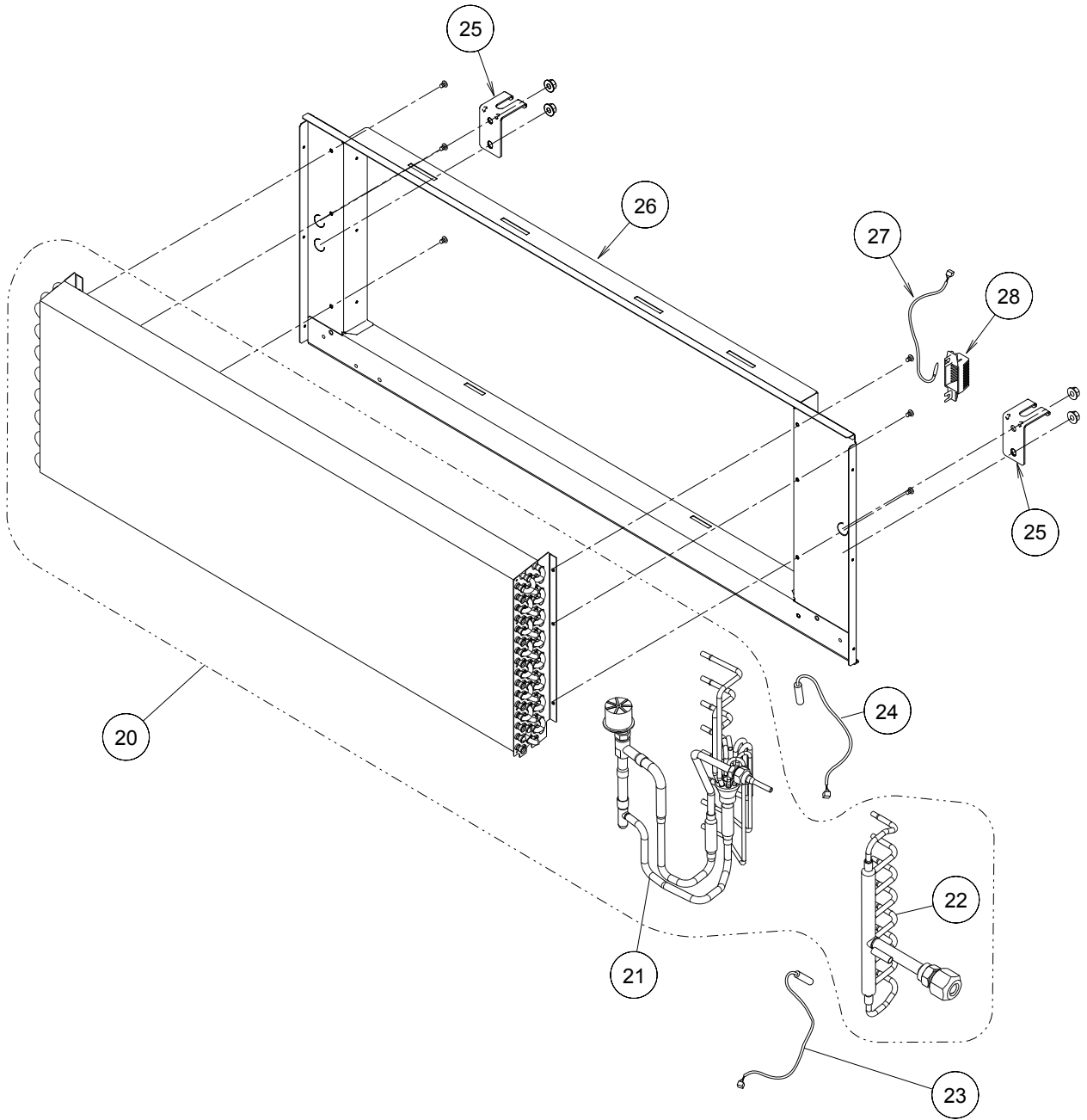


MODELS : ARXC36GATH



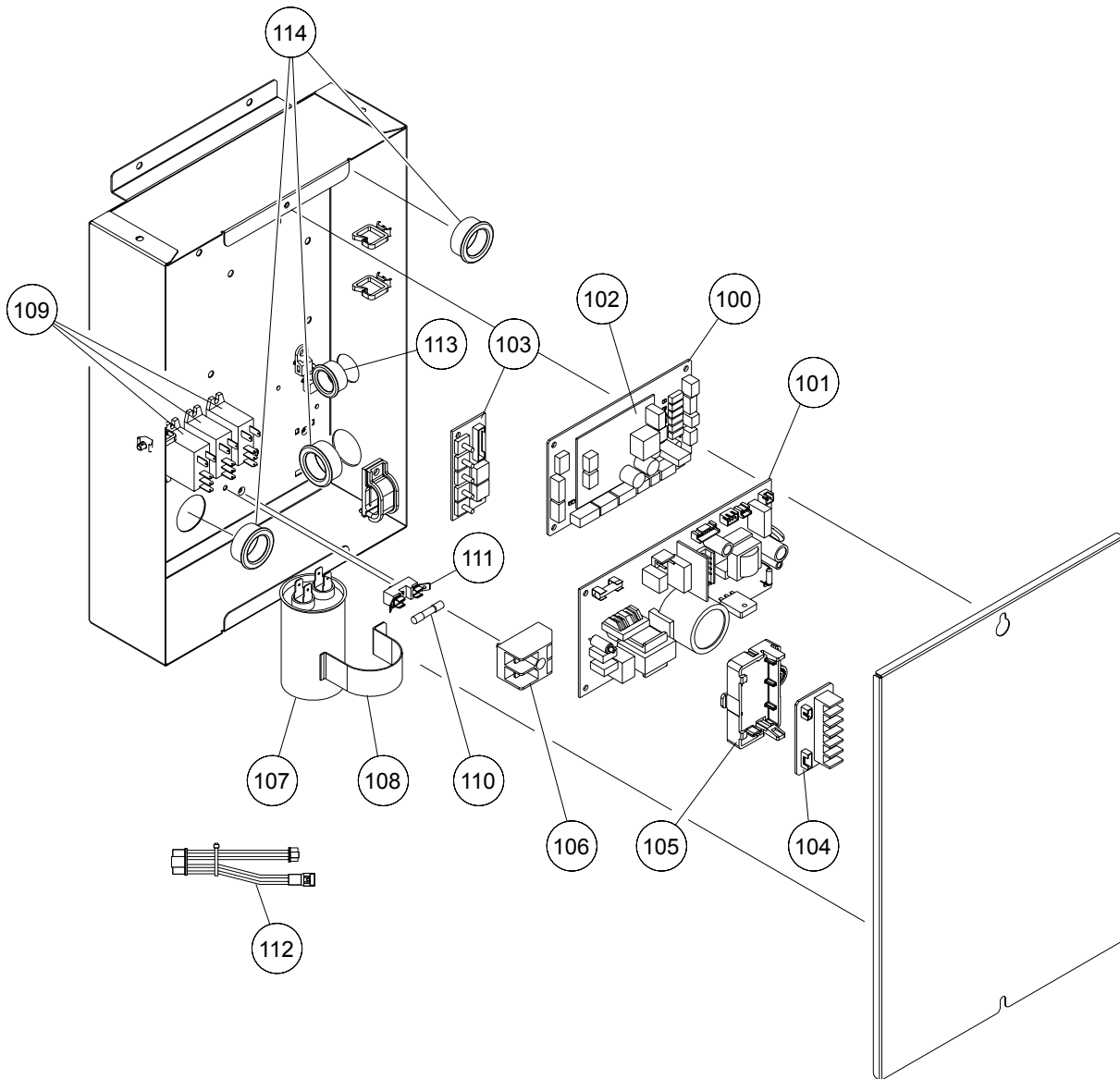
Ref No.	Description	Parts No.			Q'ty
		ARXC36GATH	ARXC45GATH	ARXC60GATH	
7	CASING A	9372057018	9372057018	9372057018	
8	CASING B	9372058015	9372058015	9372058015	
9	SIROCCO FAN	9372059029	9372059029	9372059029	
10	MOTOR INDUCTION	9601689027	9601688013	9601688013	
11	BRACKET MTR B	-	9372039007	9372039007	
12	BRACKET(MOTOR)	9356536003	-	-	
13	RUBBER (VIBRATION PROOF)	313659068604	-	-	
14	MOTOR MOUNT AS	9372052006	-	-	
15	BRACKET MTR ASSY	9372037003	9372037003	9372037003	
16	PANEL FAN ASSY	9372035009	9372035009	9372035009	
17	KIT(PANEL FRONT SA)	9372637029	9372637029	9372637029	
18	HOOK METAL	9372055007	9372055007	9372055007	
19	PANEL FRONT E	9372034002	9372034002	9372034002	

MODELS : ARXC36/ 45/ 60GATH



Ref No.	Description	Parts No.			Q'ty
		ARXC36GATH	ARXC45GATH	ARXC60GATH	
20	EVAPORATOR TOTAL ASSY	9372584125	9372584125	9372584132	
21	DISTRIBUTOR ASSY	9380307174	9380307174	9380307181	
22	COUPLING PIPE ASSY	9373038566	9373038566	9373038573	
23	THERMISTOR (PIPE-OUT)	9900498047	9900498047	9900498047	
24	THERMISTOR (PIPE-IN)	9900509002	9900509002	9900509002	
25	HOOK METAL	9372055007	9372055007	9372055007	
26	KIT (PNL REAR SA)	9372636039	9372636039	9372636039	
27	THERMISTOR (ROOM)	9703299216	9703299216	9703299216	
28	BRACKET (THERMOSTAT)	9367369010	9367369010	9367369010	

MODELS : ARXC36/ 45/ 60GATH



Ref No.	Description	Parts No.			Q'ty
		ARXC36GATH	ARXC45GATH	ARXC60GATH	
100	CONTROLLER PCB	9708970103	9708970103	9708970103	
101	POWER SUPPLY PCB	9708978031	9708978031	9708978031	
102	COMMUNICATION PCB	9709373019	9709373019	9709373019	
103	SWITCH PCB	9707732016	9707732016	9707732016	
104	TERMINAL PCB	9707736014	9707736014	9707736014	
105	PWB HOLDER B	9378345010	9378345010	9378345010	
106	TERMINAL 2P	9703873027	9703873027	9703873027	
107	CAPACITOR(FAN MOTOR)	9900269173	9900269111	9900269111	
108	CLAMP METAL(CAPACITOR)	9308114006	9308114006	9308114006	
109	RELAY	9900294014	9900294014	9900294014	
110	FUSE 250V 10A	0600376116	0600376116	0600376116	
111	FUSE HOLDER	0501456016	0501456016	0501456016	
112	THERMISTOR CONNECTION WIRE	9707854022	9707854022	9707854022	
113	ONE-TOUCH BUSH	9364788005	9364788005	9364788005	
114	ONE-TOUCH BUSH	9374407019	9374407019	9374407019	
-	FUSE 250V 3.15A(POWER PCB F101)	0600376062	0600376062	0600376062	
-	FUSE HOLDER	0500158072	0500158072	0500158072	