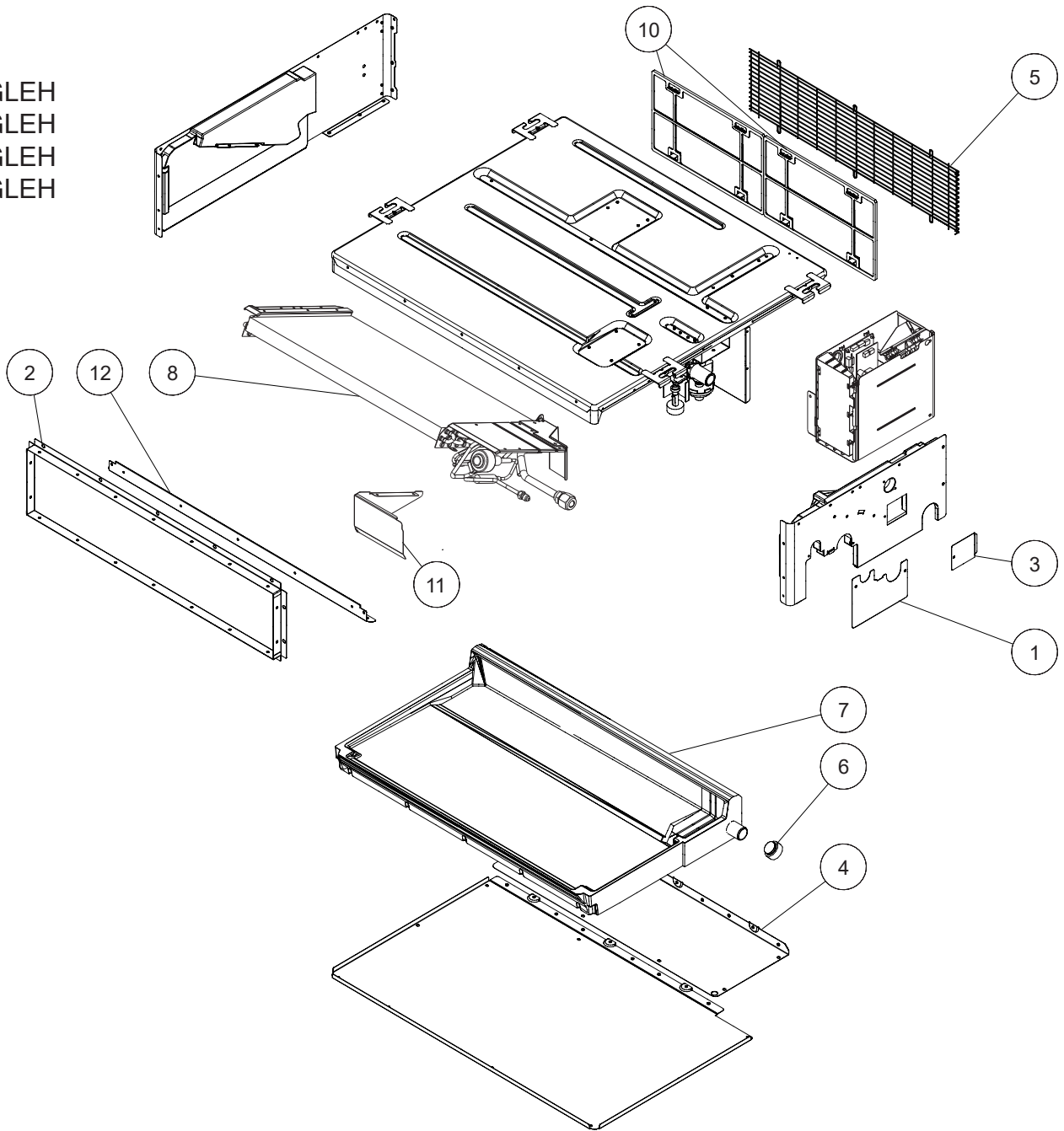


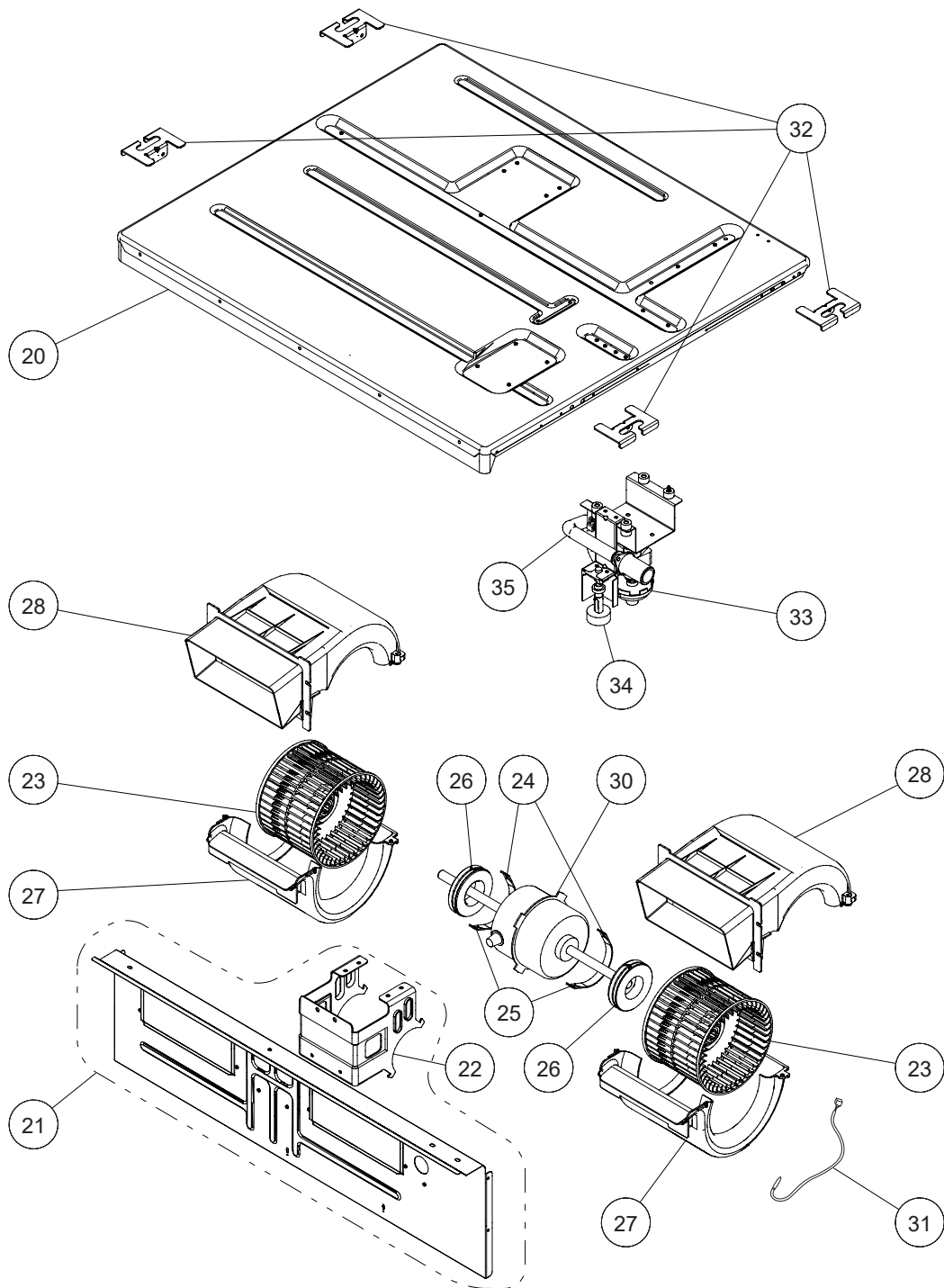
PARTS

ARXD007GLEH
 ARXD009GLEH
 ARXD012GLEH
 ARXD014GLEH



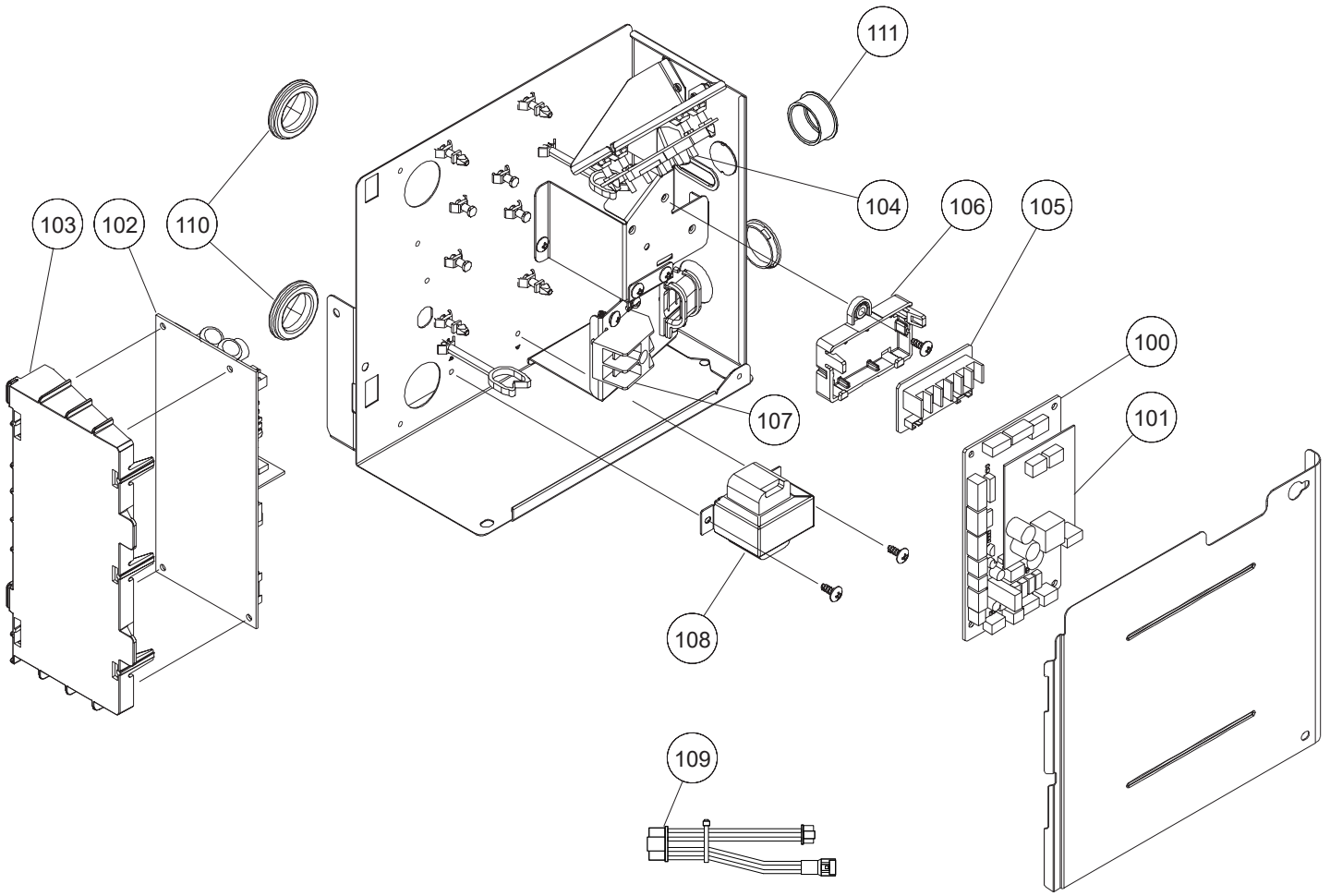
Ref No.	Description	Parts No.			
		ARXD007GLEH	ARXD009GLEH	ARXD012GLEH	ARXD014GLEH
1	PIPE PANEL SUB ASSY	9379900003	9379900003	9379900003	9379900003
2	OUTLET FRAME ASSY	9380042006	9380042006	9380042006	9380042006
3	PANEL(WINDOW) SUB ASSY	9379915007	9379915007	9379915007	9379915007
4	CABINET PANEL(2 FAN)	9380597001	9380597001	9380597001	9380597001
5	FAN GUARD(2 FAN)	9380589006	9380589006	9380589006	9380589006
6	CAP(DRAIN)	9358746004	9358746004	9358746004	9358746004
7	DRAIN PAN SUB ASSY	9379901161	9379901161	9379901161	9379901161
8	EVAPORATER TOTAL ASSY	9380682516	9380682516	9380682523	9380682523
10	AIR FILTER	9379574006	9379574006	9379574006	9379574006
11	VALVE COVER SUB ASSY	9379576017	9379576017	9379576017	9379576017
12	FRONT PANEL (2 FAN)	9380594000	9380594000	9380594000	9380594000
-	THERMISTOR (PIPE-OUT)	9900881016	9900881016	9900881016	9900881016
-	THERMISTOR (PIPE-IN)	9900509088	9900509088	9900509088	9900509088

ARXD007GLEH
 ARXD009GLEH
 ARXD012GLEH
 ARXD014GLEH



Ref No.	Description	Parts No.			
		ARXD007GLEH	ARXD009GLEH	ARXD012GLEH	ARXD014GLEH
20	TOP PANEL SUB ASSY	9379908030	9379908030	9379908030	9379908030
21	SEPARATER SUB ASSY	9379898034	9379898034	9379898034	9379898034
22	MOTOR MOUNT ASSY	9380818007	9380818007	9380818007	9380818007
23	SIRROCO FAN ASSY	9379570015	9379570015	9379570015	9379570015
24	MOTOR BAND ASSY	9379613002	9379613002	9379613002	9379613002
25	MOTOR BAND	9379614009	9379614009	9379614009	9379614009
26	RUBBER (VIBRATION PROOF)	9379644006	9379644006	9379644006	9379644006
27	CASING B	9379572019	9379572019	9379572019	9379572019
28	CASING U	9379571012	9379571012	9379571012	9379571012
29	HOOK METAL	9380585008	9380585008	9380585008	9380585008
30	FAN MOTOR	9603139018	9603139018	9603283018	9603283018
31	THERMISTOR (ROOM)	9900653019	9900653019	9900653019	9900653019
33	PUMP ASSY	9900472054	9900472054	9900472054	9900472054
34	FLOAT SWITCH	9900465049	9900465049	9900465049	9900465049
35	DRAIN HOSE ASSY	9379913003	9379913003	9379913003	9379913003

ARXD007GLEH
 ARXD009GLEH
 ARXD012GLEH
 ARXD014GLEH



Ref No.	Description	Parts No.			
		ARXD007GLEH	ARXD009GLEH	ARXD012GLEH	ARXD014GLEH
100	CONTROLLER PCB	9711039125	9711039125	9711039118	9711039118
101	COMMUNICATION PCB	9709373019	9709373019	9709373019	9709373019
102	POWER SUPPLY PCB	9708975030	9708975030	9708975030	9708975030
103	PWB HOLDER	9380616009	9380616009	9380616009	9380616009
104	SWITCH PCB	9707732030	9707732030	9707732030	9707732030
105	TERMINAL PCB	9708605012	9708605012	9708605012	9708605012
106	PWB HOLDER B	9378345010	9378345010	9378345010	9378345010
107	TERMINAL 2P	9703873027	9703873027	9703873027	9703873027
108	REACTOR ASSY	9707457018	9707457018	9707457018	9707457018
109	THERMISTOR CONNECTION WIRE	9707854022	9707854022	9707854022	9707854022
110	CAP (POWER)	9352173011	9352173011	9352173011	9352173011
111	ONE-TOUCH BUSH	9374407019	9374407019	9374407019	9374407019
-	FUSE 250V 3.15A (POWER SUPPLY PCB F101)	0600466015	0600466015	0600466015	0600466015