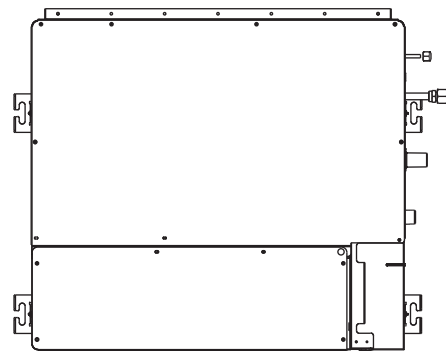
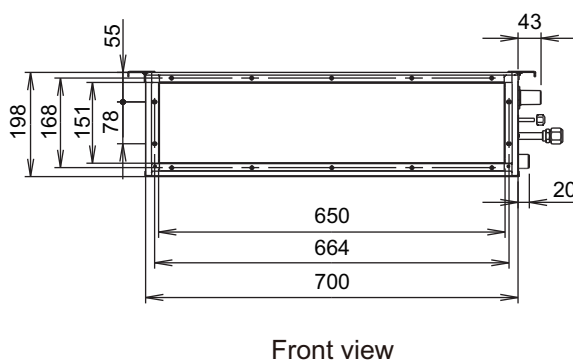
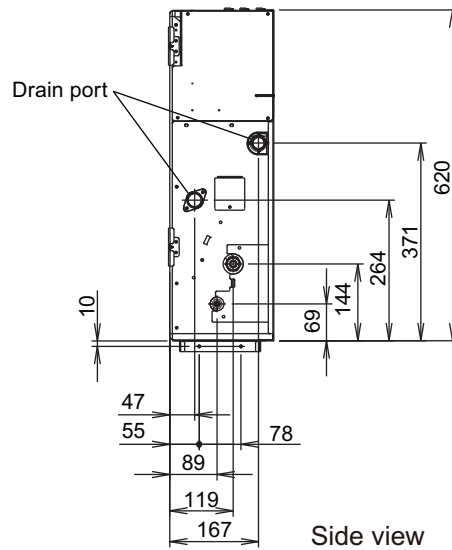
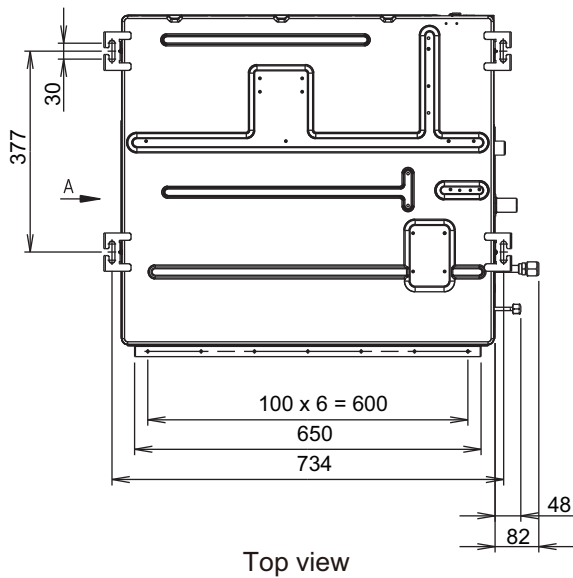
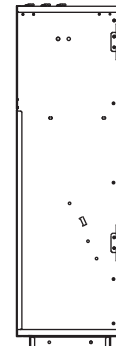
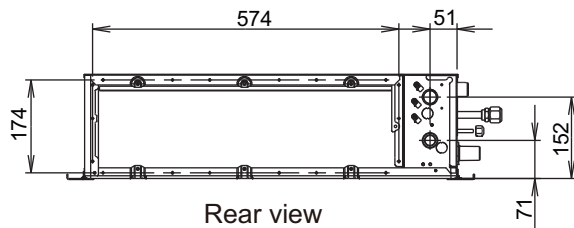


4-6. Low static pressure duct (Slim duct)/Slim concealed floor type

■ Models: ARXD007GLEH, ARXD009GLEH, ARXD012GLEH, and ARXD014GLEH

Unit: mm



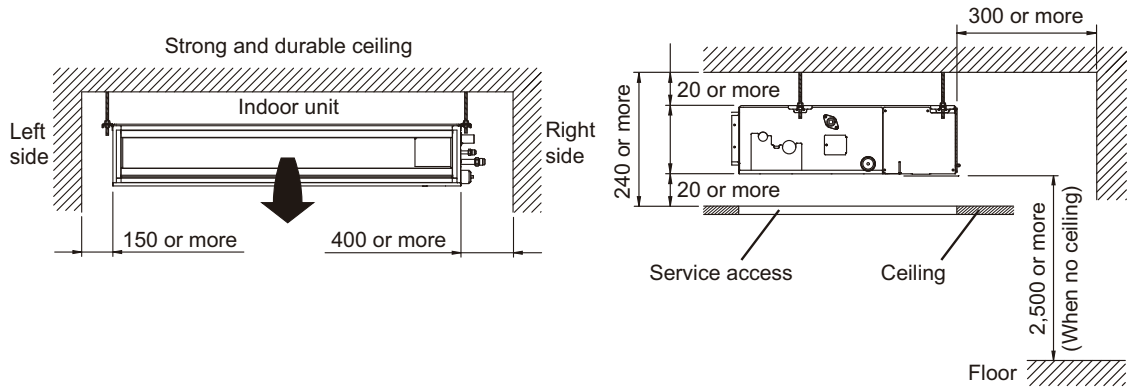
INDOOR
UNITS

INDOOR
UNITS

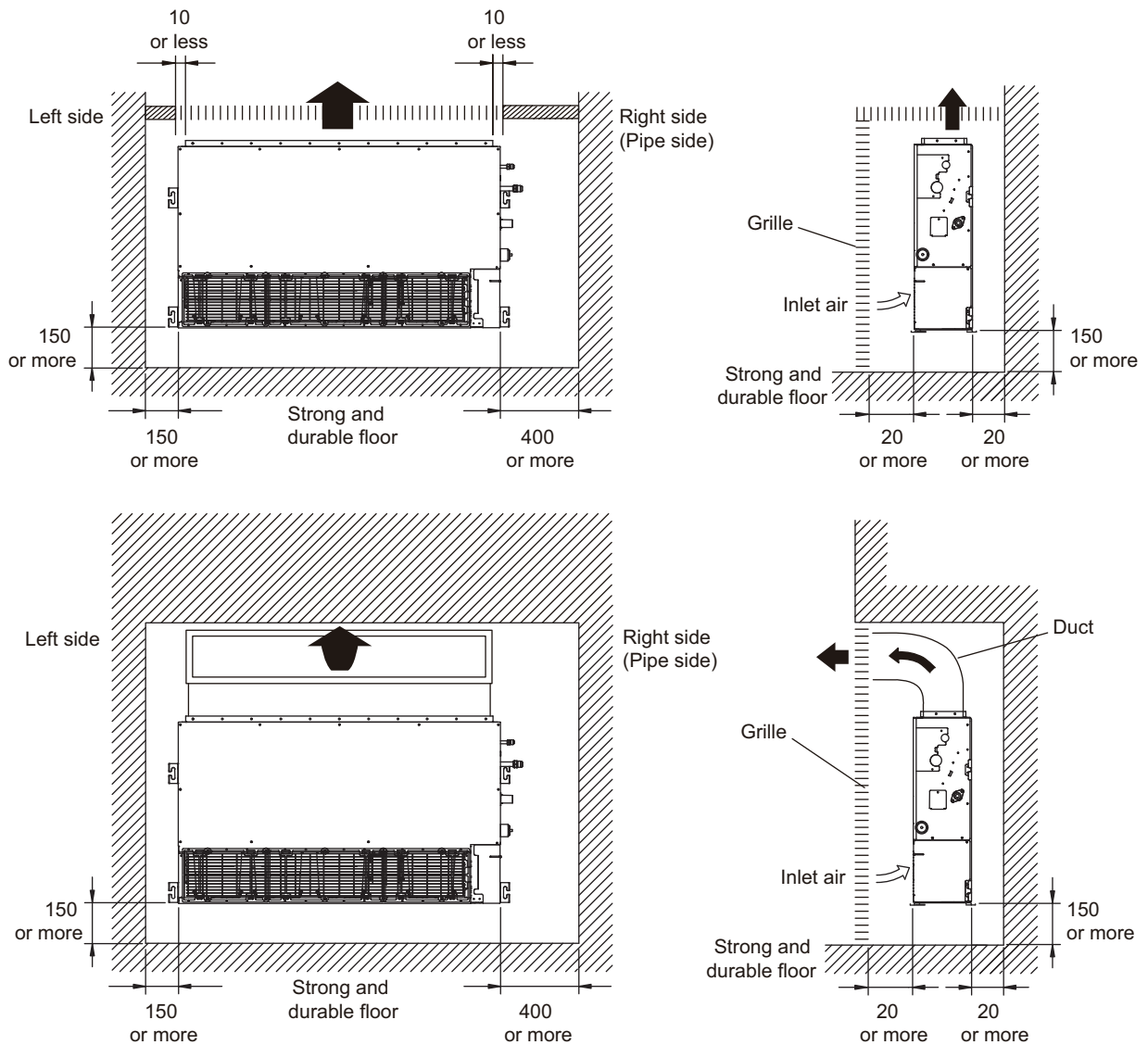
Installation space requirement

Unit: mm

In ceiling-concealed installations:



In wall-concealed installations:



INDOOR UNITS

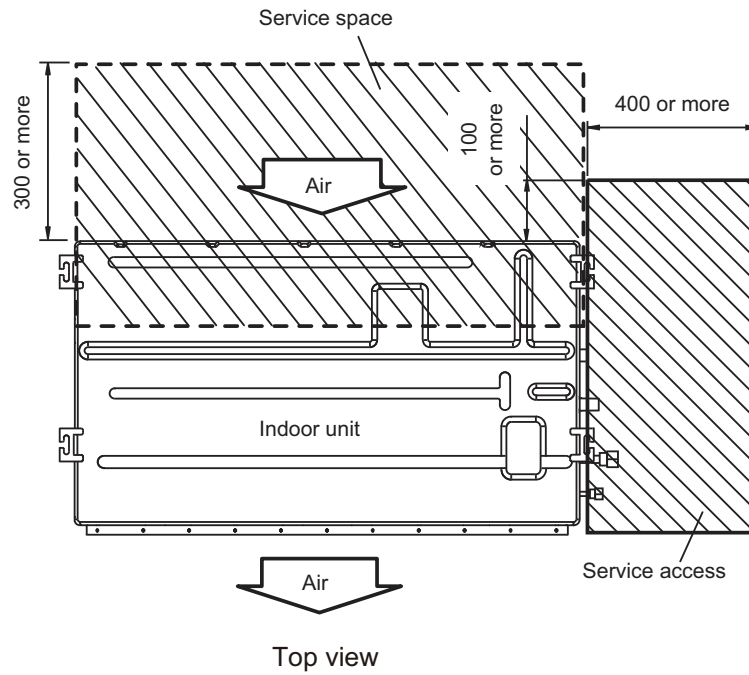
INDOOR UNITS

■ Maintenance space requirement

For future maintenance and service access, provide sufficient maintenance space.

NOTE: Do not place any wiring or illumination in the maintenance space, as they will impede service.

Unit: mm



INDOOR
UNITS

INDOOR
UNITS