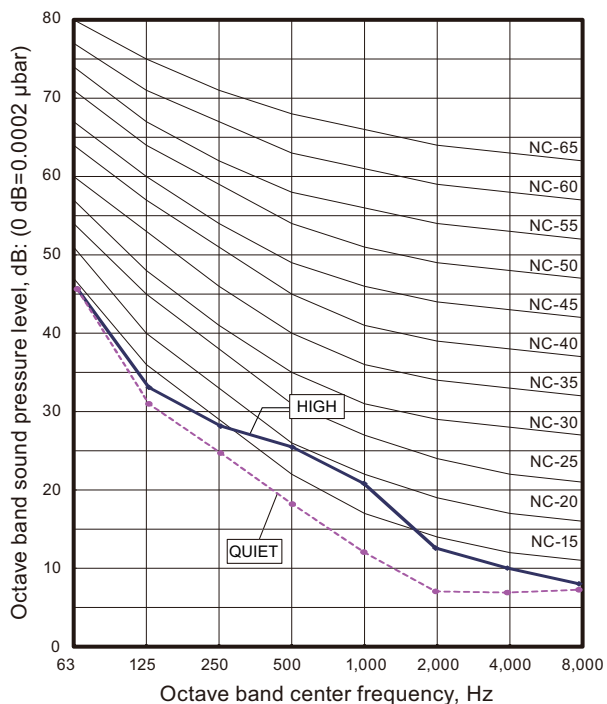
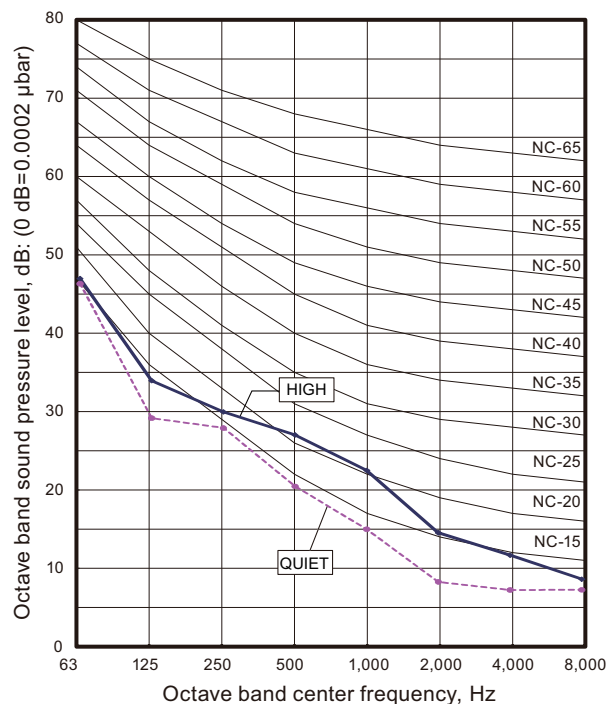


# 9-6. Low static pressure duct (Slim duct)/Slim concealed floor type

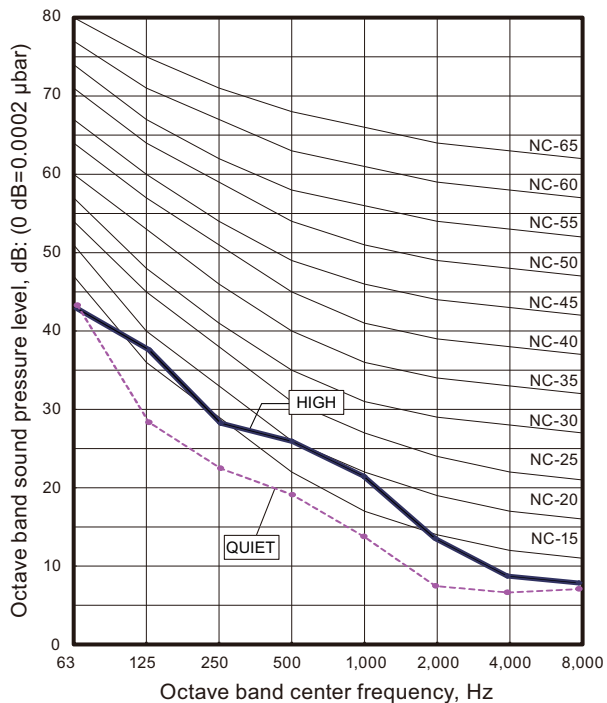
• **Model: ARXD007GLEH**



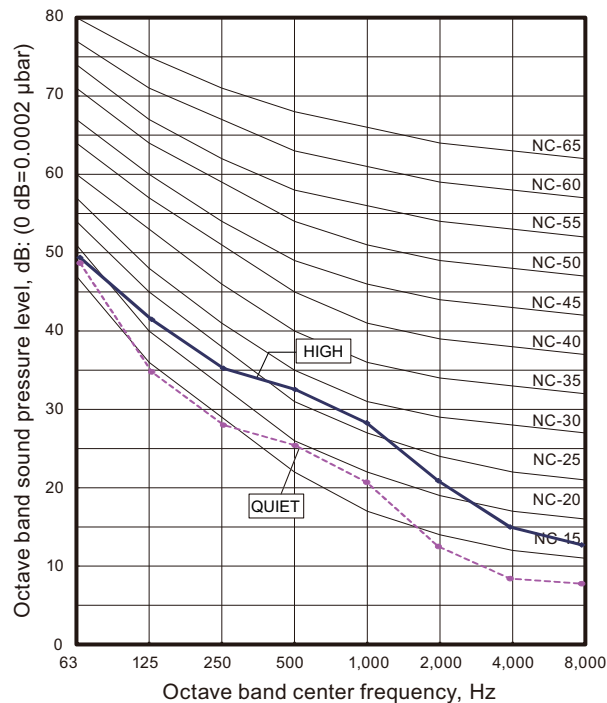
• **Model: ARXD009GLEH**



• **Model: ARXD012GLEH**



• **Model: ARXD014GLEH**

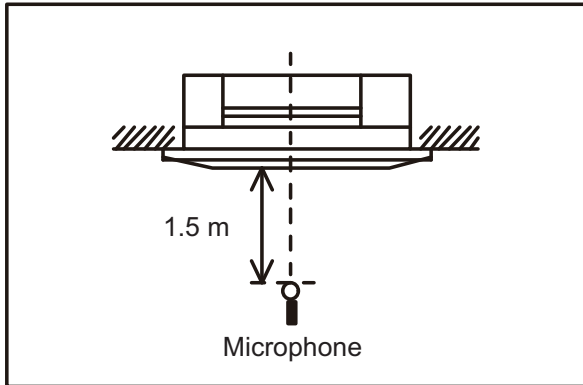


INDOOR  
UNITS

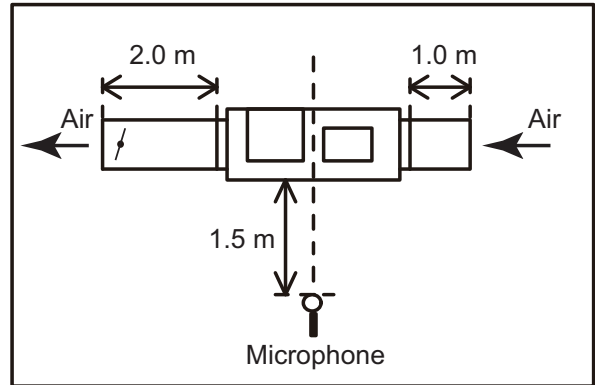
INDOOR  
UNITS

## 9-17. Sound level check point

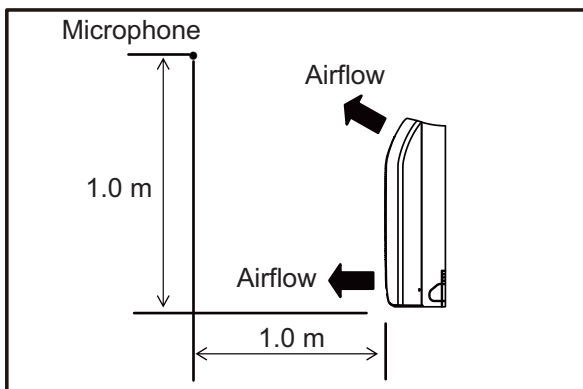
- Compact cassette type
- Circular flow cassette type
- Cassette type



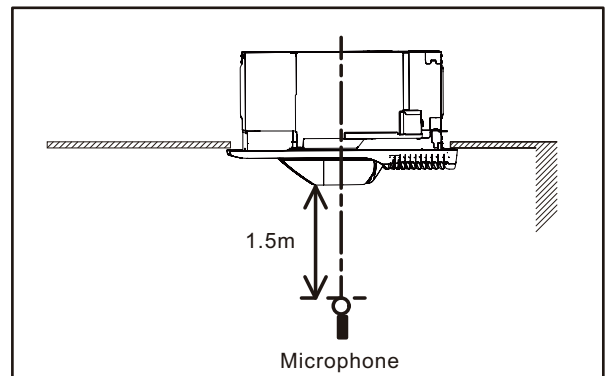
- Low static pressure duct (Mini duct) type
- Low static pressure duct (Slim duct) type
- Medium static pressure duct type
- High static pressure duct type



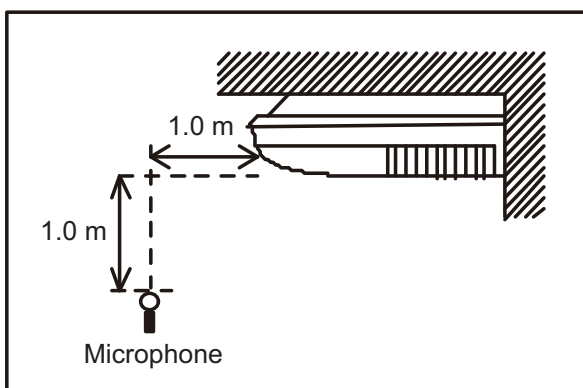
- Compact floor type



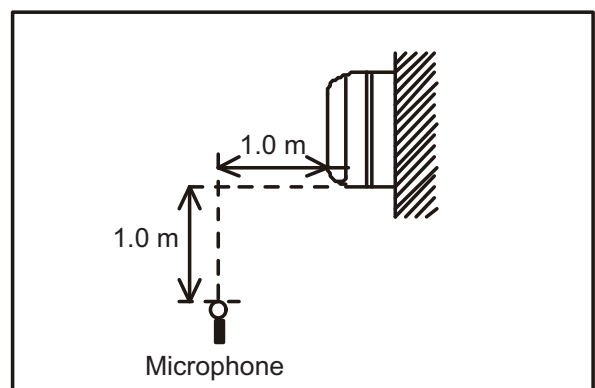
- 3D flow cassette type



- Floor/Ceiling type
- Ceiling type



- Wall mounted type



INDOOR  
UNITS

INDOOR  
UNITS