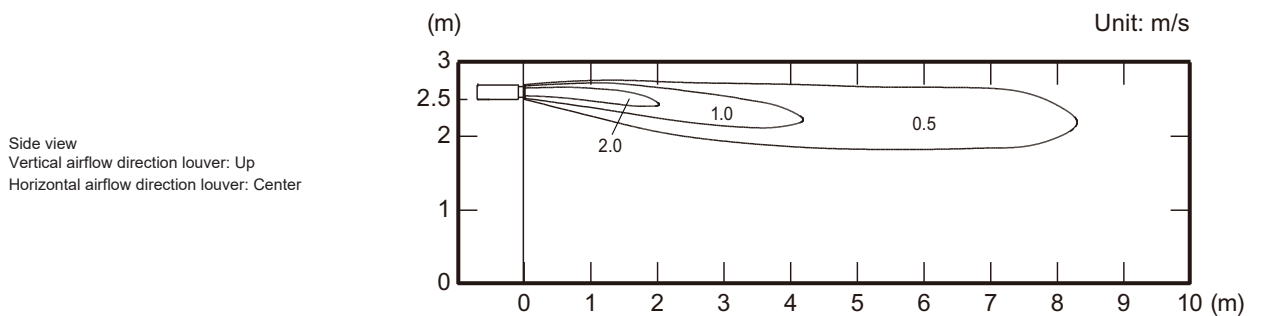
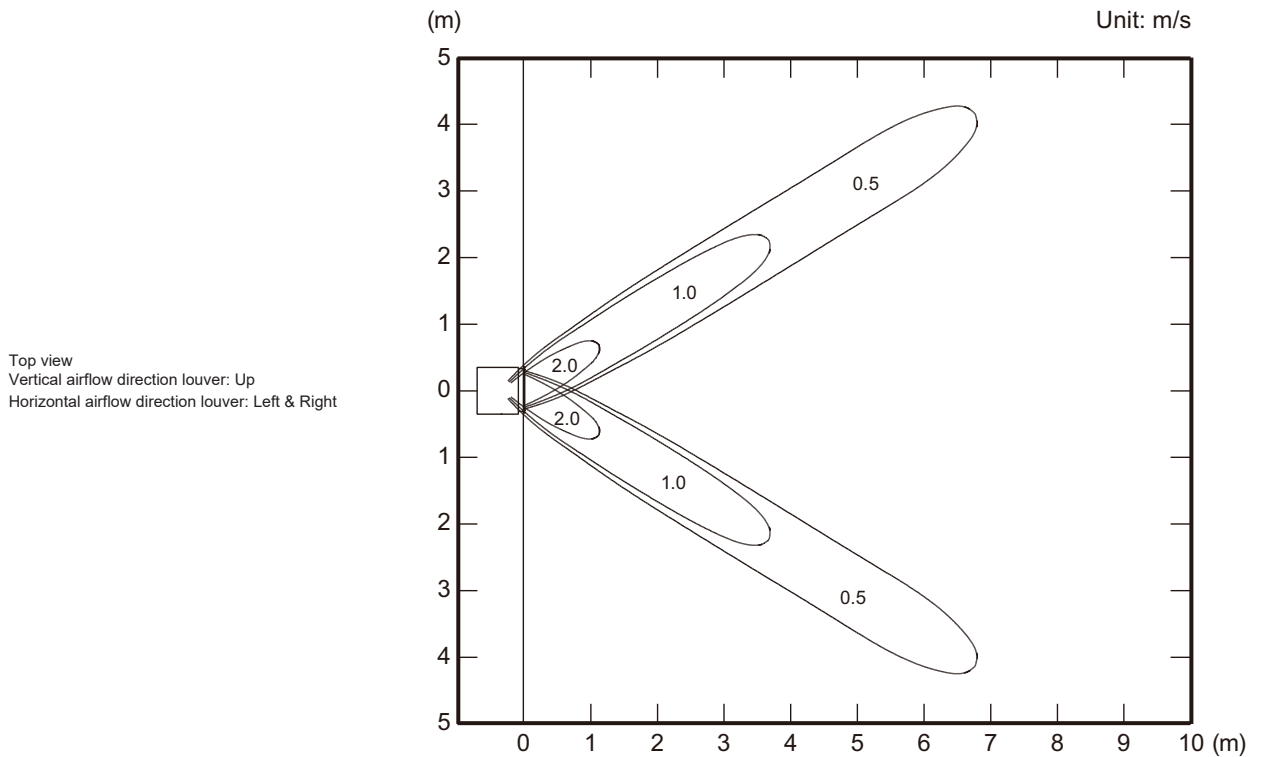
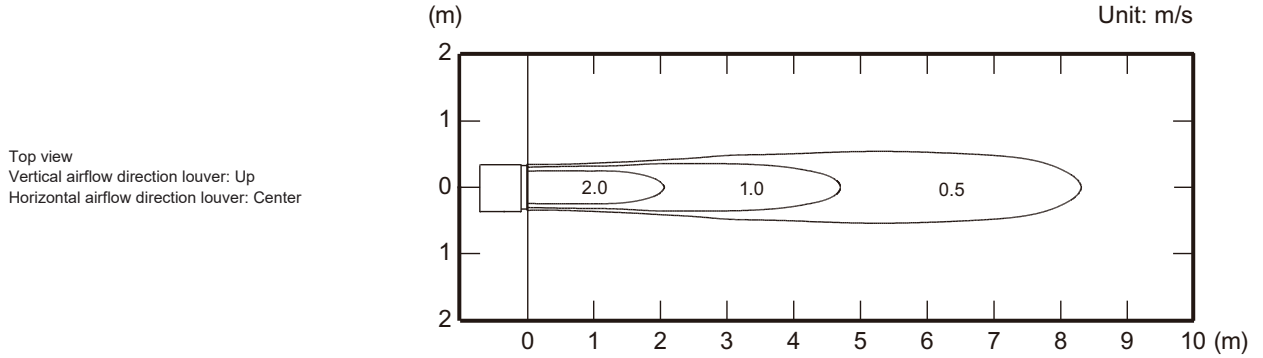


Model: ARXD012GLEH (with UTD-GXSA-W)

Measuring conditions	Fan speed	Operation mode
	HIGH	FAN

• Air velocity distribution



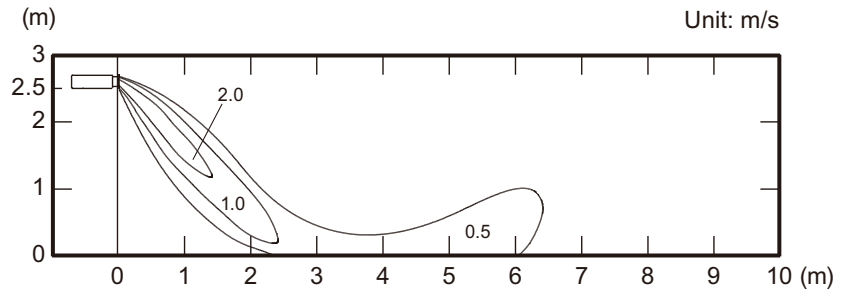
INDOOR UNITS

INDOOR UNITS

Measuring conditions	Fan speed	Operation mode
NOTE: Reference data	HIGH	HEAT

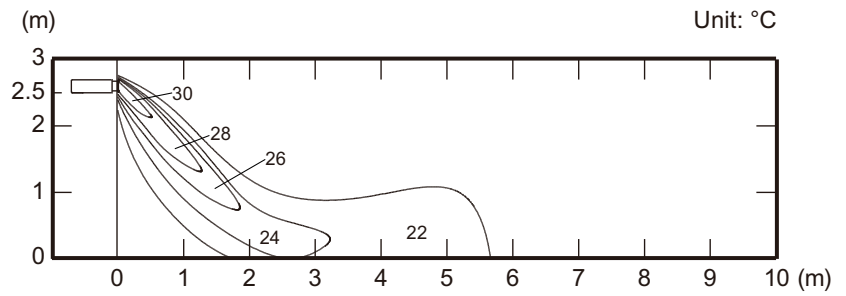
• Air velocity distribution

Side view
 Vertical airflow direction louver: Down
 Horizontal airflow direction louver: Center



• Air temperature distribution

Side view
 Vertical airflow direction louver: Down
 Horizontal airflow direction louver: Center



INDOOR
UNITS

INDOOR
UNITS