

ARXD018GLEH

Please visit our webstore for full product and technical documentation 

| Unit Type | Slim Duct / Slim Concealed Floor | |
|---|----------------------------------|---------|
| Remote Controller | Option | |
| Nominal Cooling Capacity (kW) | | 5.6 |
| UK Total Cooling Capacity (kW) | | 4.2 |
| UK Sensible Cooling Capacity (kW) | | 3.5 |
| Nominal Heating Capacity (kW) | | 5.9 |
| UK Heating Capacity (kW) | | 6.3 |
| Height (mm) | | 198 |
| Width (mm) | | 900 |
| Depth (mm) | | 620 |
| Weight (kg) | | 22 |
| Standard Static Pressure (Pa) | | 25 |
| Static Pressure Range (Pa) | | 0 to 90 |
| Airflow Rate - Cooling - High (m3/h) | | 940 |
| Sound Pressure Level - Cooling - High (dB(A)) | | 34 |
| Sound Pressure Level - Cooling - Low (dB(A)) | | 25 |
| Refrigerant Type (Global Warming Potential) | R410A (2,088) | |
| Liquid Pipe Size | 1/4" | |
| Gas Pipe Size | 1/2" | |
| Unit Power Supply | 1Ph-230V-50Hz | |



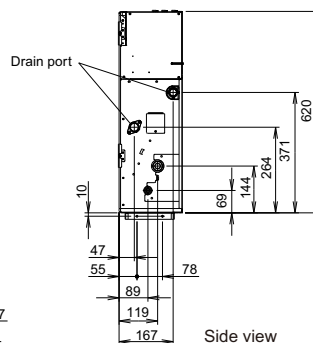
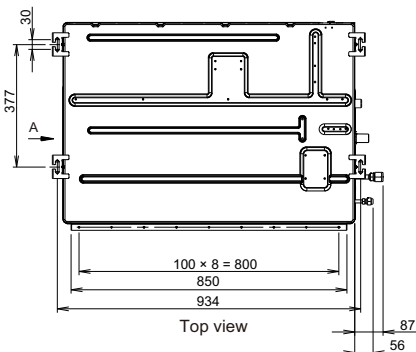
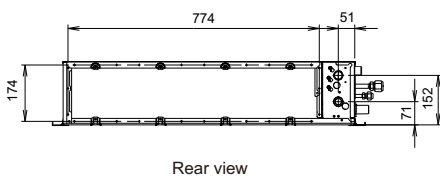
Document Downloads

- [Air Distribution](#)
- [Airflow](#)
- [Cooling Capacity](#)
- [Dimensional Drawing](#)
- [Electrical Characteristics](#)
- [Fan Curve](#)
- [Heating Capacity](#)
- [Installation Manual](#)
- [Noise Curve](#)
- [Operation Manual](#)
- [Product Image](#)
- [Spare Parts List All Pages](#)
- [Specifications](#)
- [Wiring Diagram](#)

Related Items

- [UTDGXTBW](#) Auto Louvre Grille Kit (Size 18 IU's)
- [UTYRNRYZ5](#) Touch Screen Remote Controller
- [UTYRCRYZ1](#) Compact Simple Remote controller
- [UTYRSRY](#) Simple Remote Controller (with Master Control)
- [UTYRHRH](#) Simple Remote Controller (without Master Control)
- [UTYLNHY](#) Wireless Remote Controller
- [UTYXSZX](#) Remote Sensor Unit (for All Duct type)
- [UTYTRHX](#) Infra-Red Receiver

Unit: mm



*Specifications and design are subject to change without notice for further improvement.
 *Actual products' colors may be different from the colors shown in this printed material.

Distributed by :

FUJITSU GENERAL AIR CONDITIONING (UK) LIMITED
 Unit 150, Centennial Park, Centennial Avenue, Elstree, Borehamwood, Herts, WD6 3SG

www.fujitsu-general.com/uk

sales@fgac.fujitsu-general.com

Tel: +44 (0) 208 731 3450 Fax: +44 (0) 208 731 3451