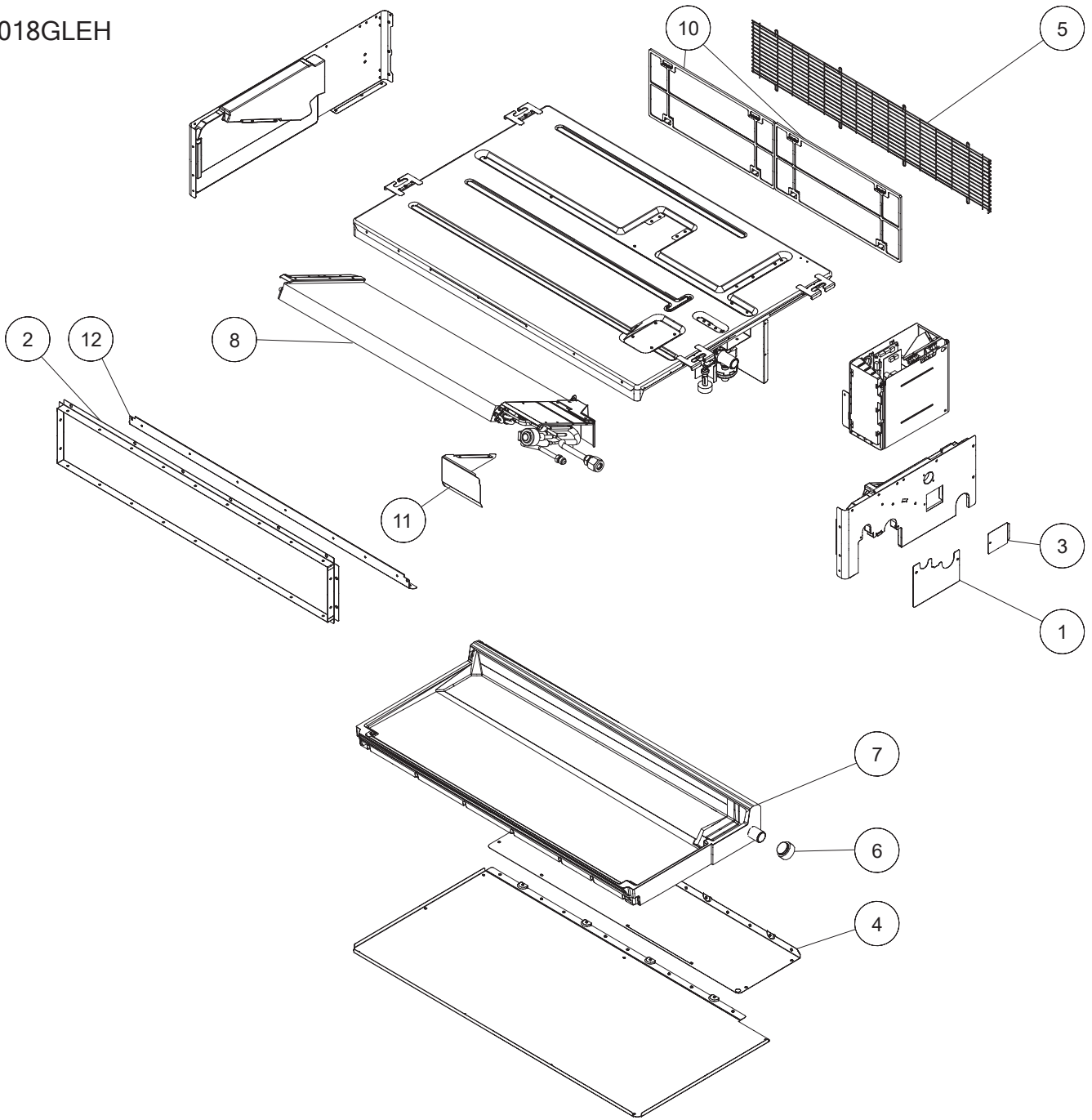
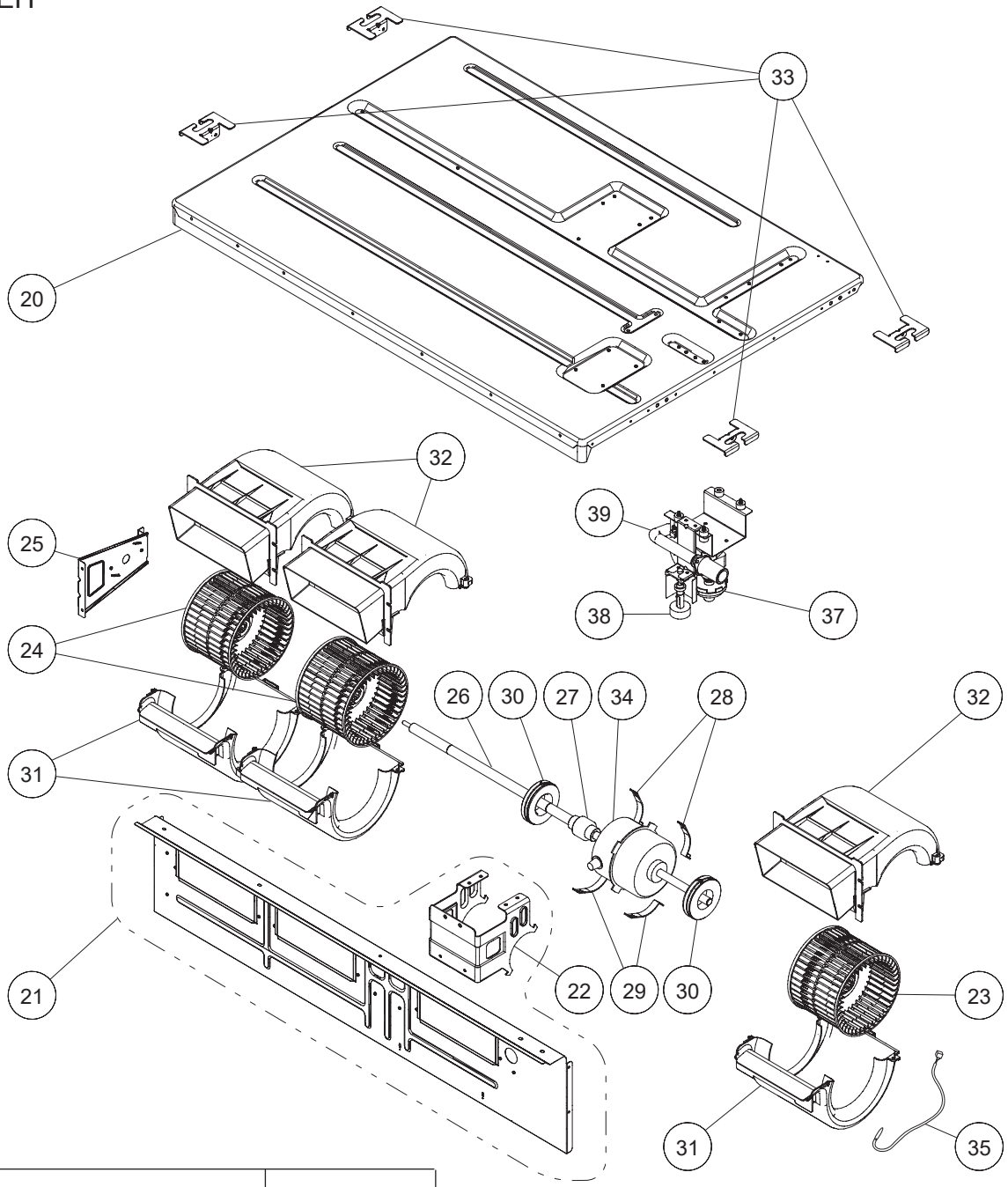


PARTS

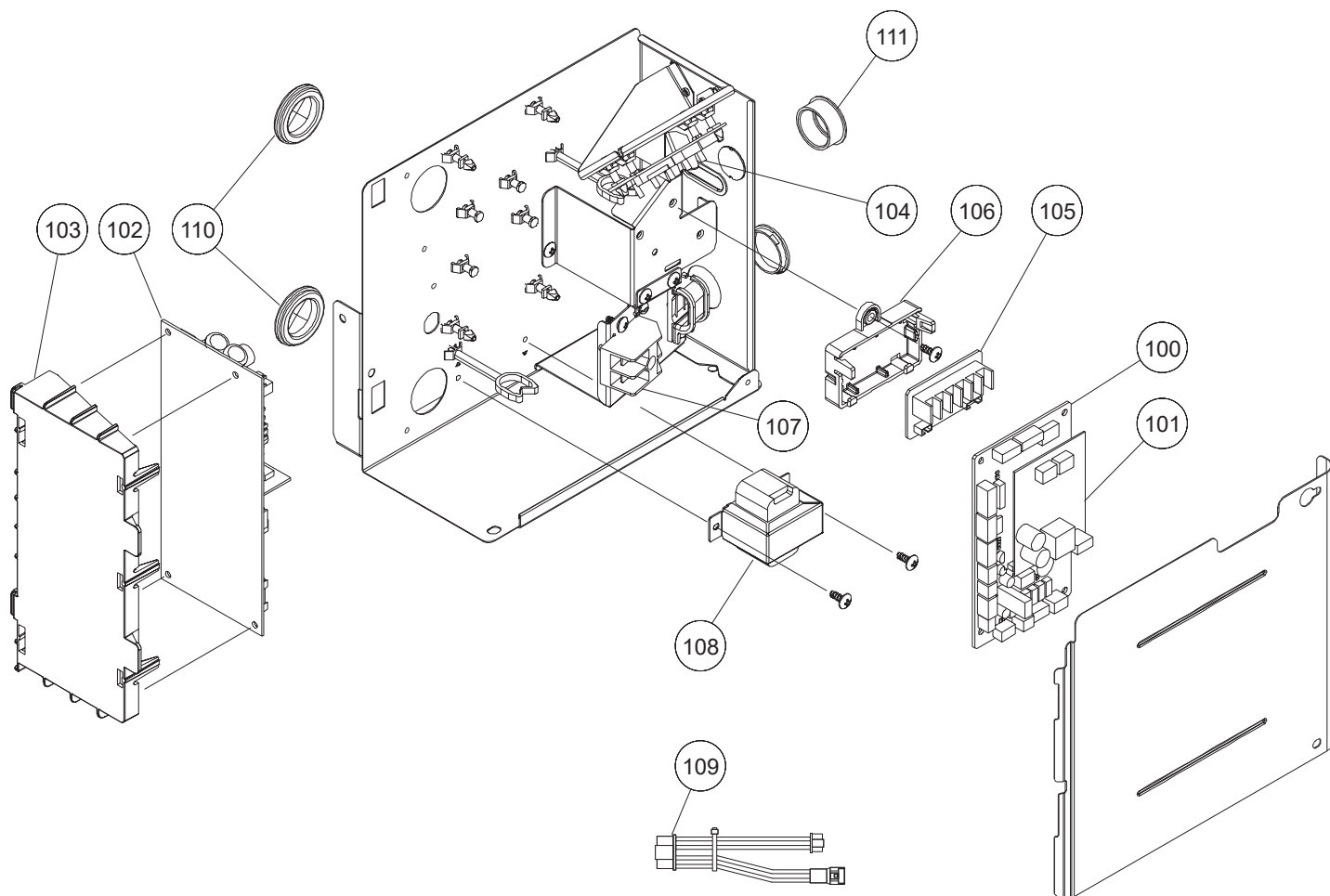
ARXD018GLEH



Ref No.	Description	Parts No.
1	PIPE PANEL SUB ASSY	937990003
2	OUTLET FRAME ASSY	9380042013
3	PANEL(WINDOW) SUB ASSY	9379915007
4	CABINET PANEL(3 FAN)	9380598008
5	FAN GUARD(3 FAN)	9380590002
6	CAP(DRAIN)	9358746004
7	DRAIN PAN SUB ASSY	9379901178
8	EVAPORATER TOTAL ASSY	9380682530
10	AIR FILTER	9379575003
11	VALVE COVER SUB ASSY	9379576017
12	FRONT PANEL (3 FAN)	9380595007
-	THERMISTOR (PIPE-OUT)	9900881016
-	THERMISTOR (PIPE-IN)	9900509088



Ref No.	Description	Parts No.
20	TOP PANEL SUB ASSY	9379908047
21	SEPARATER SUB ASSY	9379898041
22	MOTOR MOUNT ASSY	9380818007
23	SIRROCO FAN ASSY	9379570022
24	SIRROCO FAN ASSY	9379570039
25	BRACKET(BEARING SUB ASSY)	9379627016
26	SHAFT ASSY	9381052004
27	JOINT ASSY	9378038011
28	MOTOR BAND ASSY	9379613002
29	MOTOR BAND	9379614009
30	RUBBER (VIBRATION PROOF)	9379644006
31	CASING B	9379572019
32	CASING U	9379571012
33	HOOK METAL	9380585008
34	FAN MOTOR	9603284015
35	THERMISTOR (ROOM)	9900653019
37	PUMP ASSY	9900472054
38	FLOAT SWITCH	9900465049
39	DRAIN HOSE ASSY	9379913003



Ref No.	Description	Parts No.
100	CONTROLLER PCB	9711039101
101	COMMUNICATION PCB	9709373026
102	POWER SUPPLY PCB	9711356017
103	PWB HOLDER	9380616009
104	SWITCH PCB	9707732030
105	TERMINAL PCB	9708605012
106	PWB HOLDER B	9378345010
107	TERMINAL 2P	9703873027
108	REACTOR ASSY	9707457018
109	THERMISTOR CONNECTION WIRE	9707854022
110	CAP (POWER)	9352173011
111	ONE-TOUCH BUSH	9374407019
-	FUSE 250V 3.15A (POWER SUPPLY PCB F101)	0600466015