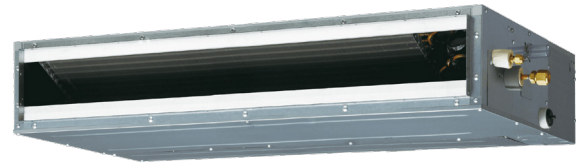


ARXD024GLEH

Please visit our webstore for full product and technical documentation 

Unit Type	Slim Duct / Slim Concealed Floor	
Remote Controller	Option	
Nominal Cooling Capacity (kW)		7.1
UK Total Cooling Capacity (kW)		5.3
UK Sensible Cooling Capacity (kW)		4.9
Nominal Heating Capacity (kW)		7.4
UK Heating Capacity (kW)		8.0
Height (mm)		198
Width (mm)		1100
Depth (mm)		620
Weight (kg)		26
Standard Static Pressure (Pa)		25
Static Pressure Range (Pa)		0 to 50
Airflow Rate - Cooling - High (m3/h)		1330
Sound Pressure Level - Cooling - High (dB(A))		35
Sound Pressure Level - Cooling - Low (dB(A))		24
Refrigerant Type (Global Warming Potential)		R410A (2,088)
Liquid Pipe Size		3/8"
Gas Pipe Size		5/8"
Unit Power Supply		1Ph-230V-50Hz

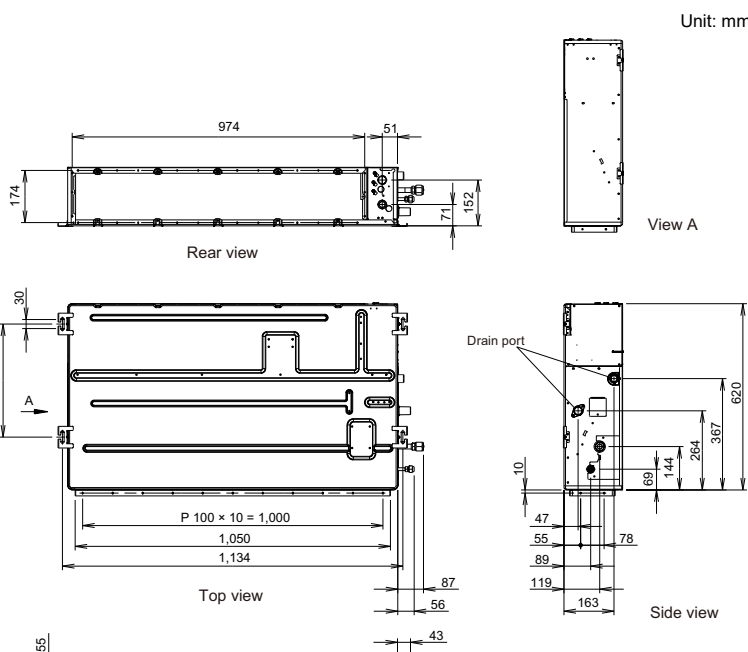


Document Downloads

- [Air Distribution](#)
- [Airflow](#)
- [Cooling Capacity](#)
- [Dimensional Drawing](#)
- [Electrical Characteristics](#)
- [Fan Curve](#)
- [Heating Capacity](#)
- [Installation Manual](#)
- [Noise Curve](#)
- [Operation Manual](#)
- [Product Image](#)
- [Spare Parts List All Pages](#)
- [Specifications](#)
- [Wiring Diagram](#)

Related Items

- [UTYRNRZ5](#) Touch Screen Remote Controller
- [UTYRCRYZ1](#) Compact Simple Remote controller
- [UTYRSRY](#) Simple Remote Controller (with Master Control)
- [UTYRHRY](#) Simple Remote Controller (without Master Control)
- [UTYLNHY](#) Wireless Remote Controller
- [UTYXSZX](#) Remote Sensor Unit (for All Duct type)
- [UTYTRHX](#) Infra-Red Receiver



*Specifications and design are subject to change without notice for further improvement.
 *Actual products' colors may be different from the colors shown in this printed material.

Distributed by :

FUJITSU GENERAL AIR CONDITIONING (UK) LIMITED
 Unit 150, Centennial Park, Centennial Avenue, Elstree, Borehamwood, Herts, WD6 3SG

www.fujitsu-general.com/uk

sales@fgac.fujitsu-general.com

Tel: +44 (0) 208 731 3450 Fax: +44 (0) 208 731 3451