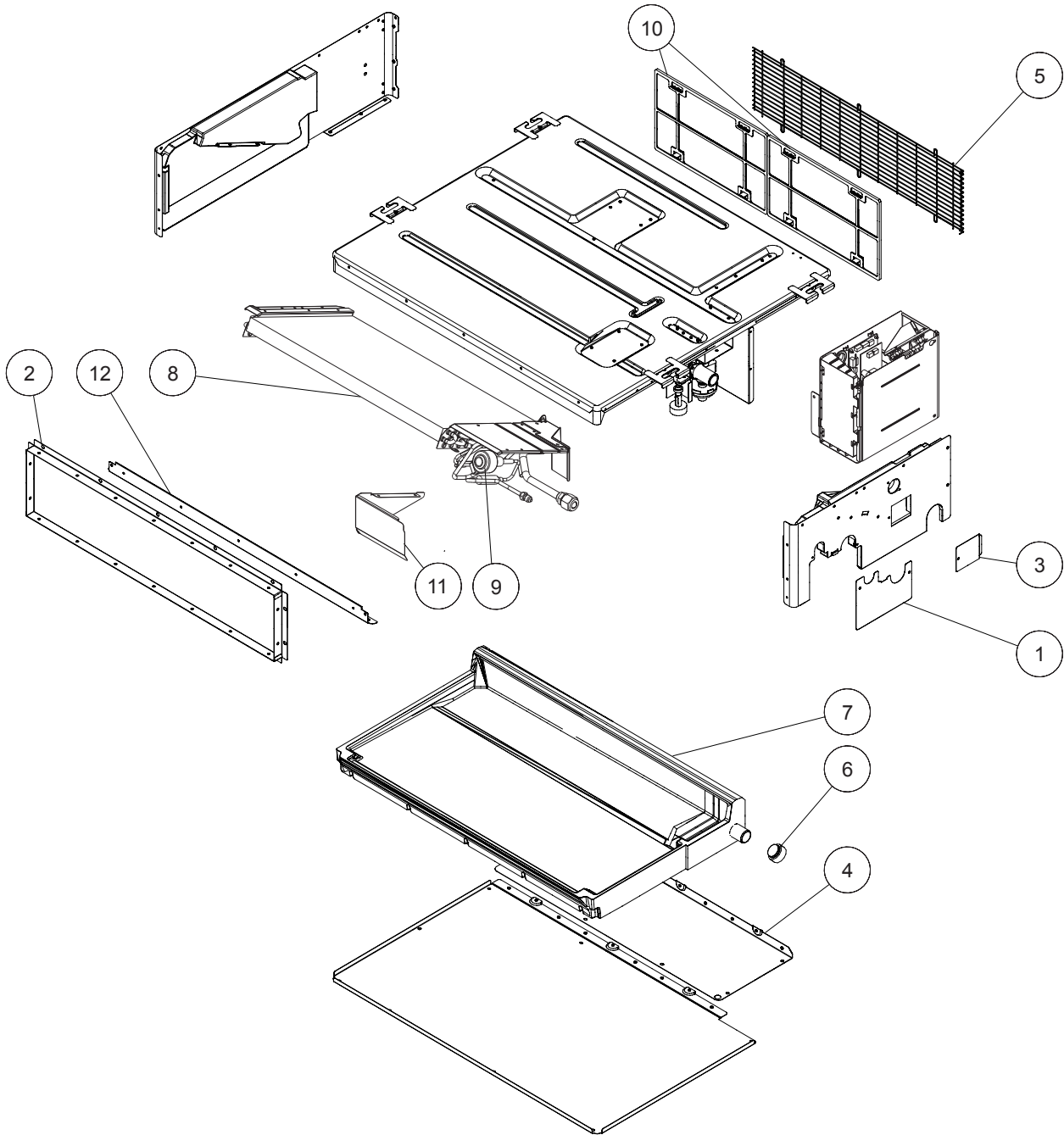
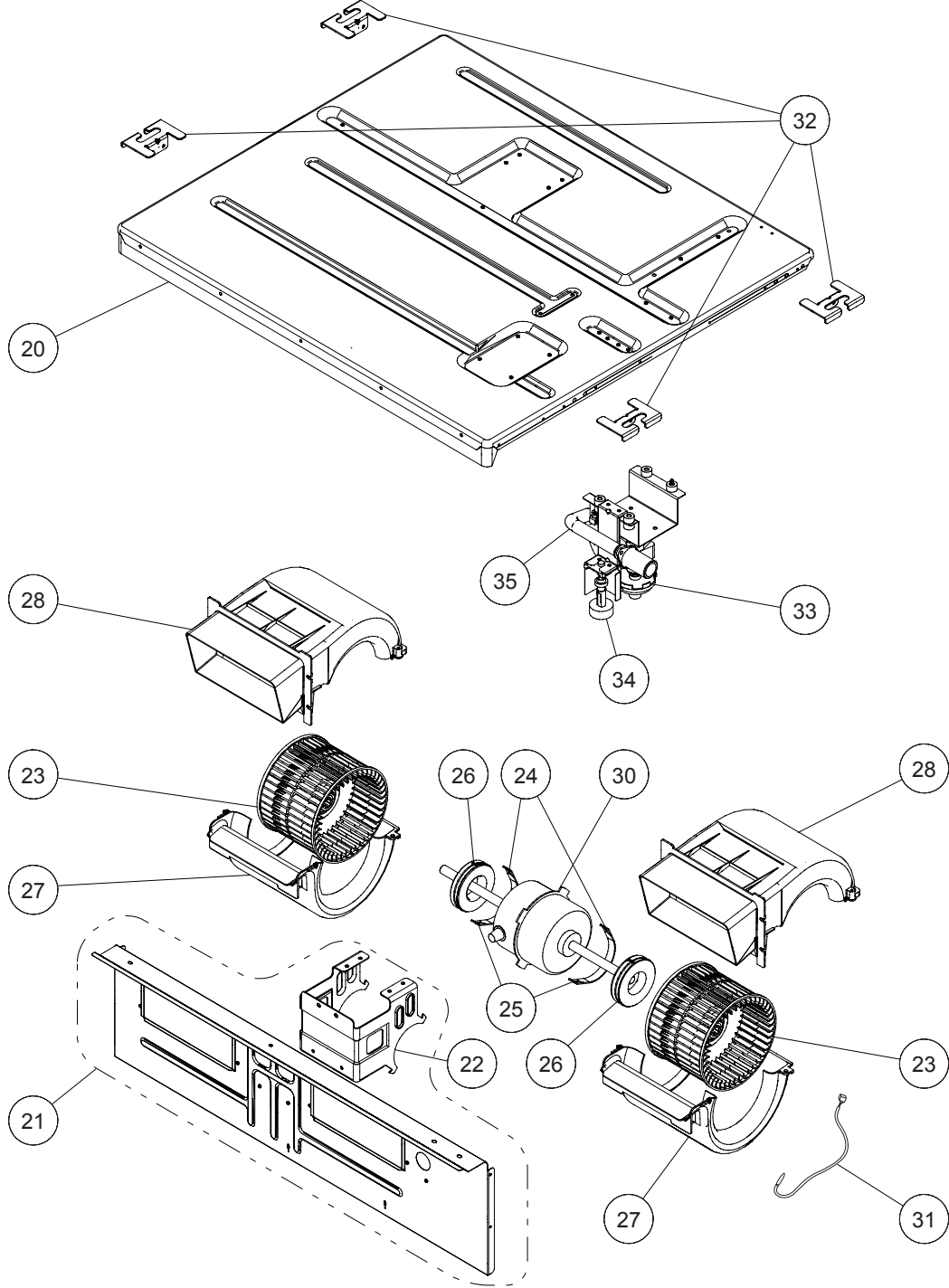


MODELS : ARXD04/ 07/ 09/ 12/ 14GALH



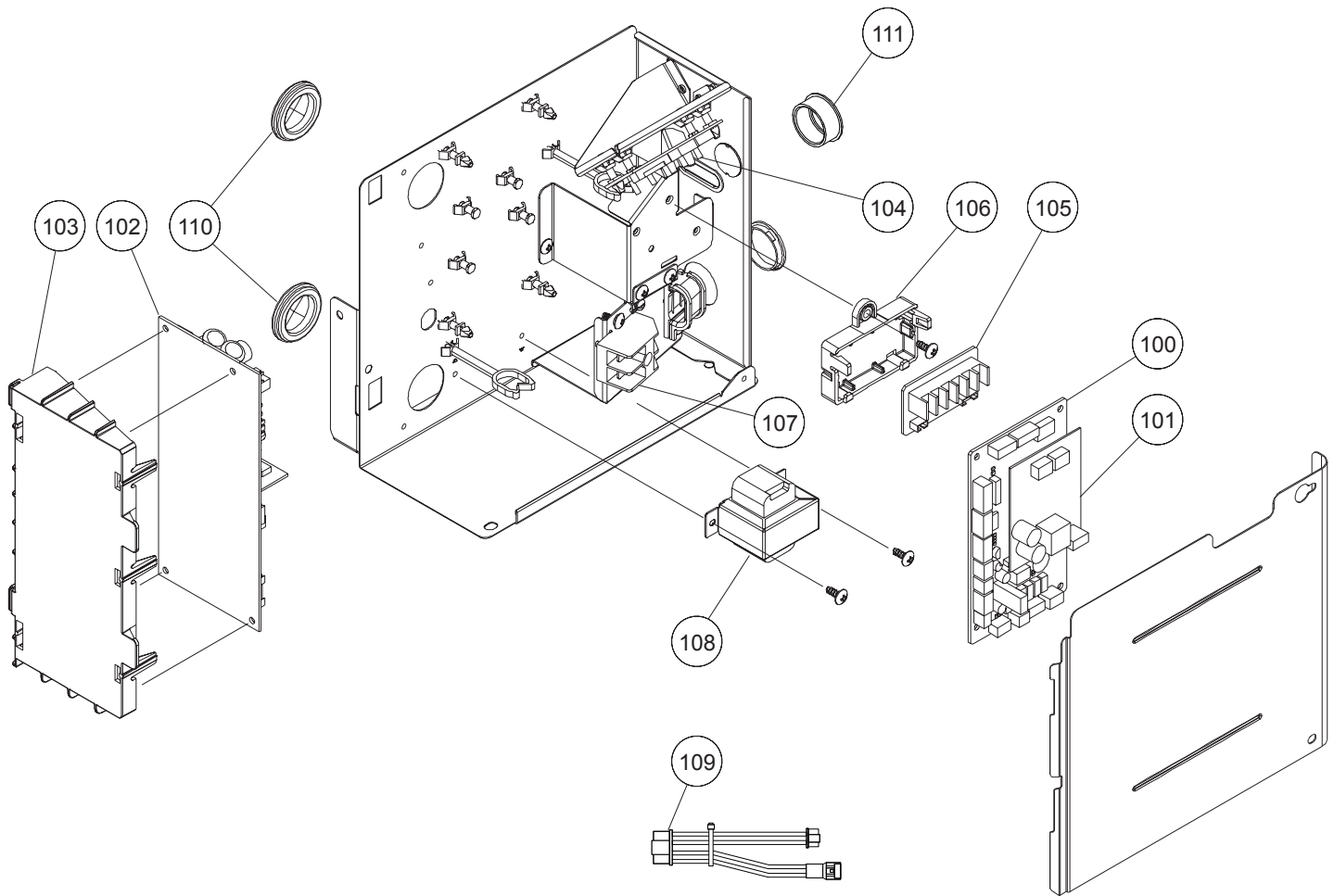
Ref No.	Description	Parts No.					Q'ty
		ARXD04GALH	ARXD07GALH	ARXD09GALH	ARXD12GALH	ARXD14GALH	
1	PIPE PANEL SUB ASSY	9379900003	9379900003	9379900003	9379900003	9379900003	
2	OUTLET FRAME ASSY	9380042006	9380042006	9380042006	9380042006	9380042006	
3	PANEL(WINDOW) SUB ASSY	9379915007	9379915007	9379915007	9379915007	9379915007	
4	CABINET PANEL(2 FAN)	9380597001	9380597001	9380597001	9380597001	9380597001	
5	FAN GUARD(2 FAN)	9380589006	9380589006	9380589006	9380589006	9380589006	
6	CAP(DRAIN)	9358746004	9358746004	9358746004	9358746004	9358746004	
7	DRAIN PAN SUB ASSY	9379901161	9379901161	9379901161	9379901161	9379901161	
		9379901048	9379901048	9379901048	9379901048	9379901048	
8	EVAPORATER TOTAL ASSY	9380682097	9380682097	9380682097	9380682103	9380682103	
9	EXPANSION VALVE ASSY (SERVICE)	9380860006	9380860006	9380860006	9380860013	9380860013	
10	AIR FILTER	9379574006	9379574006	9379574006	9379574006	9379574006	
11	VALVE COVER SUB ASSY	9379576017	9379576017	9379576017	9379576017	9379576017	
12	FRONT PANEL (2 FAN)	9380594000	9380594000	9380594000	9380594000	9380594000	
-	THERMISTOR (PIPE-OUT)	9900881016	9900881016	9900881016	9900881016	9900881016	
		9900498108	9900498108	9900498108	9900498108	9900498108	
-	THERMISTOR (PIPE-IN)	9900509088	9900509088	9900509088	9900509088	9900509088	

MODELS : ARXD04/ 07/ 09/ 12/ 14GALH



Ref No.	Description	Parts No.					Q'ty
		ARXD04GALH	ARXD07GALH	ARXD09GALH	ARXD12GALH	ARXD14GALH	
20	TOP PANEL SUB ASSY	9379908030	9379908030	9379908030	9379908030	9379908030	
21	SEPARATER SUB ASSY	9379898034	9379898034	9379898034	9379898034	9379898034	
22	MOTOR MOUNT ASSY	9380818007	9380818007	9380818007	9380818007	9380818007	
23	SIRROCO FAN ASSY	9379570015	9379570015	9379570015	9379570015	9379570015	
24	MOTOR BAND ASSY	9379613002	9379613002	9379613002	9379613002	9379613002	
25	MOTOR BAND	9379614009	9379614009	9379614009	9379614009	9379614009	
26	RUBBER (VIBRATION PROOF)	9379644006	9379644006	9379644006	9379644006	9379644006	
27	CASING B	9379572019	9379572019	9379572019	9379572019	9379572019	
28	CASING U	9379571012	9379571012	9379571012	9379571012	9379571012	
29	HOOK METAL	9380585008	9380585008	9380585008	9380585008	9380585008	
30	FAN MOTOR	9603139018	9603139018	9603139018	9603283018	9603283018	
31	THERMISTOR (ROOM)	9900653019	9900653019	9900653019	9602967025	9602967025	
33	PUMP ASSY	9900472054	9900472054	9900472054	9900472054	9900472054	
34	FLOAT SWITCH	9900465049	9900465049	9900465049	9900465049	9900465049	
35	DRAIN HOSE ASSY	9379913003	9379913003	9379913003	9379913003	9379913003	

MODELS : ARXD04/ 07/ 09/ 12/ 14GALH



Ref No.	Description	Parts No.					Q'ty
		ARXD04GALH	ARXD07GALH	ARXD09GALH	ARXD12GALH	ARXD14GALH	
100	CONTROLLER PCB	9708970059	9708970059	9708970059	9708970066	9708970066	
101	COMMUNICATION PCB	9709373019	9709373019	9709373019	9709373019	9709373019	
102	POWER SUPPLY PCB	9708975030	9708975030	9708975030	9708975030	9708975030	
103	PWB HOLDER	9380616009	9380616009	9380616009	9380616009	9380616009	
104	SWITCH PCB	9707732016	9707732016	9707732016	9707732016	9707732016	
105	TERMINAL PCB	9708605012	9708605012	9708605012	9708605012	9708605012	
106	PWB HOLDER B	9378345010	9378345010	9378345010	9378345010	9378345010	
107	TERMINAL 2P	9703873027	9703873027	9703873027	9703873027	9703873027	
108	REACTOR ASSY	9707457018	9707457018	9707457018	9707457018	9707457018	
109	THERMISTOR CONNECTION WIRE	9707854022	9707854022	9707854022	9707854022	9707854022	
110	CAP (POWER)	9352173011	9352173011	9352173011	9352173011	9352173011	
111	ONE-TOUCH BUSH	9374407019	9374407019	9374407019	9374407019	9374407019	
-	FUSE 250V 5A (POWER SUPPLY PCB F101)	0600424022	0600424022	0600424022	0600424022	0600424022	
-	FUSE 250V 3.15A (POWER SUPPLY PCB F101)						
-	FUSE HOLDER	0501707019	0501707019	0501707019	0501707019	0501707019	