

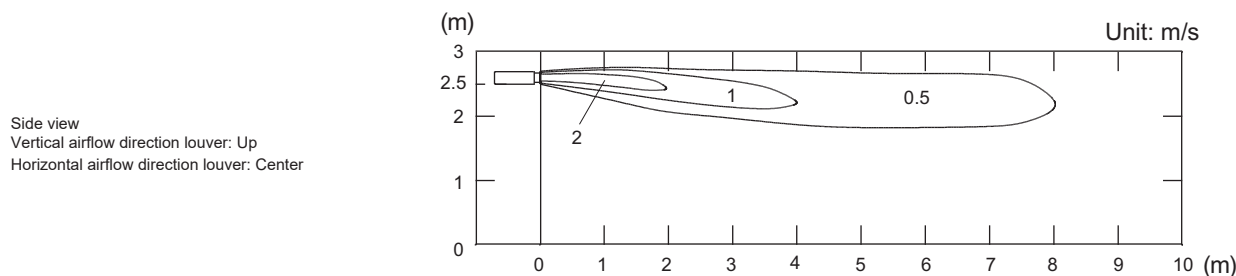
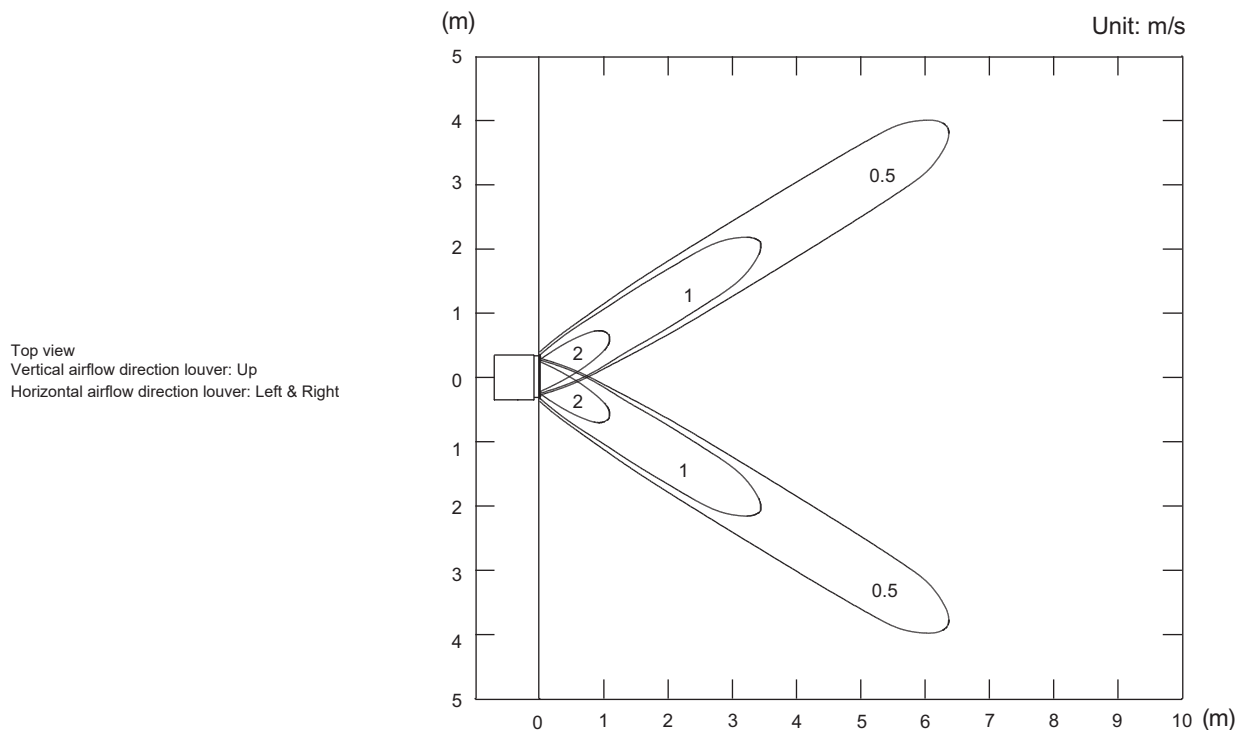
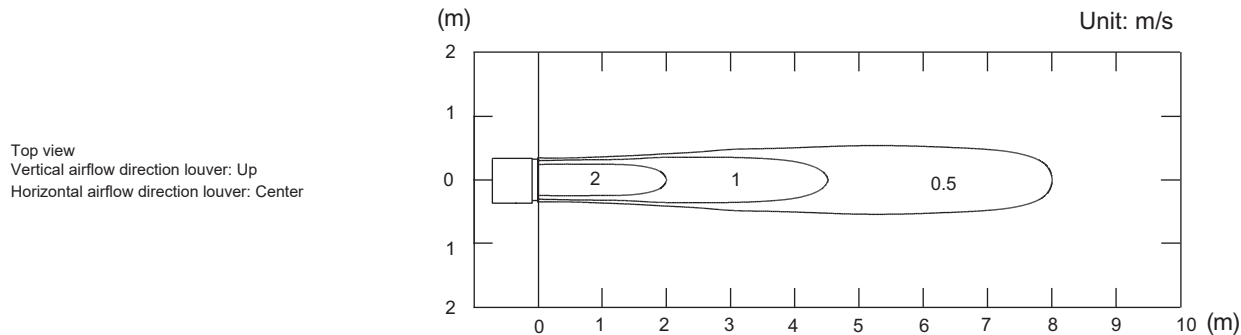
# 5-3. Slim duct type

## Model: ARXG07KLLAP

**NOTE:** This data is measured after installing optional Auto louver grille kit.

- Air velocity distribution

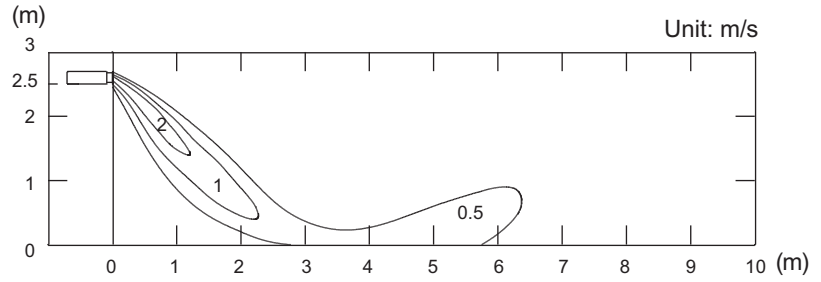
Measuring conditions	Fan speed	Operation mode
	HIGH	FAN



• Air velocity distribution

Measuring conditions	Fan speed	Operation mode
	HIGH	HEAT

Side view  
Vertical airflow direction louver: Down  
Horizontal airflow direction louver: Center



• Air temperature distribution

Measuring conditions	Fan speed	Operation mode
	HIGH	HEAT

Side view  
Vertical airflow direction louver: Down  
Horizontal airflow direction louver: Center

