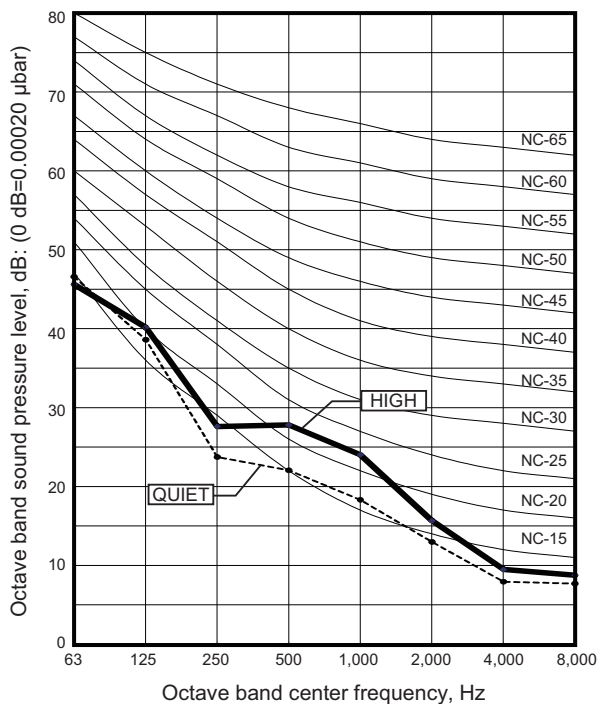


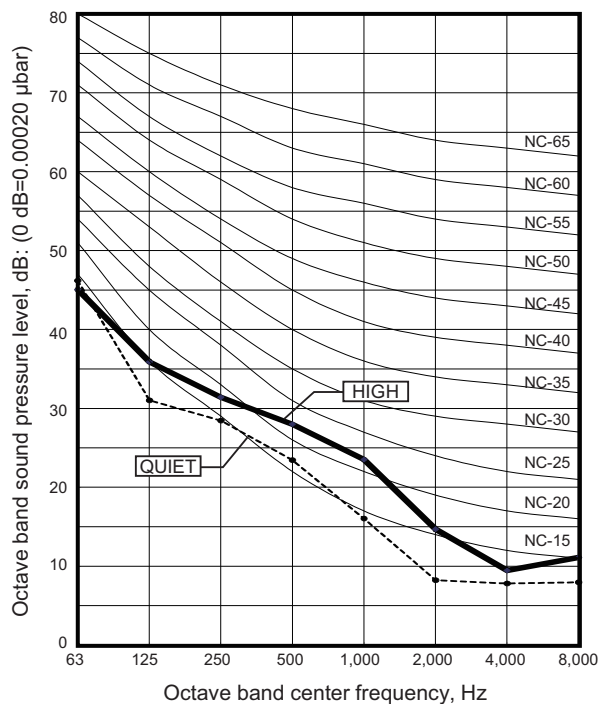
8-3. Slim duct type

Model: ARXG07KLLAP

● Cooling

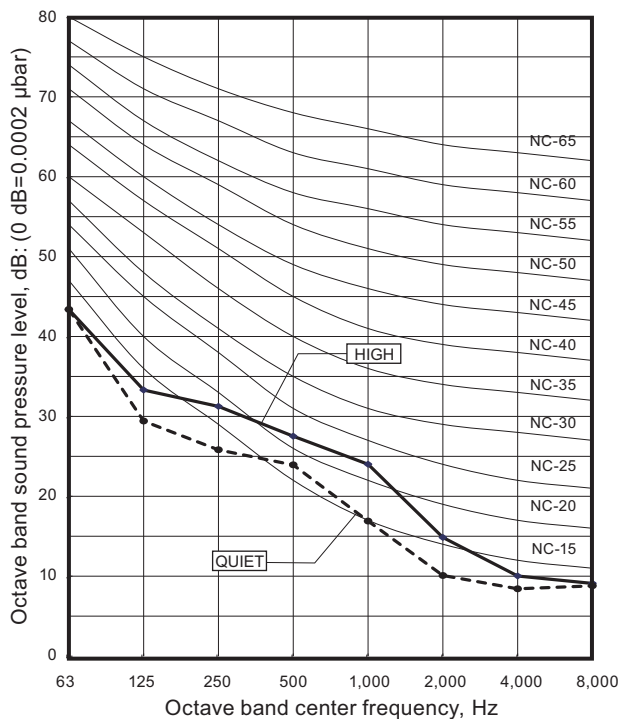


● Heating

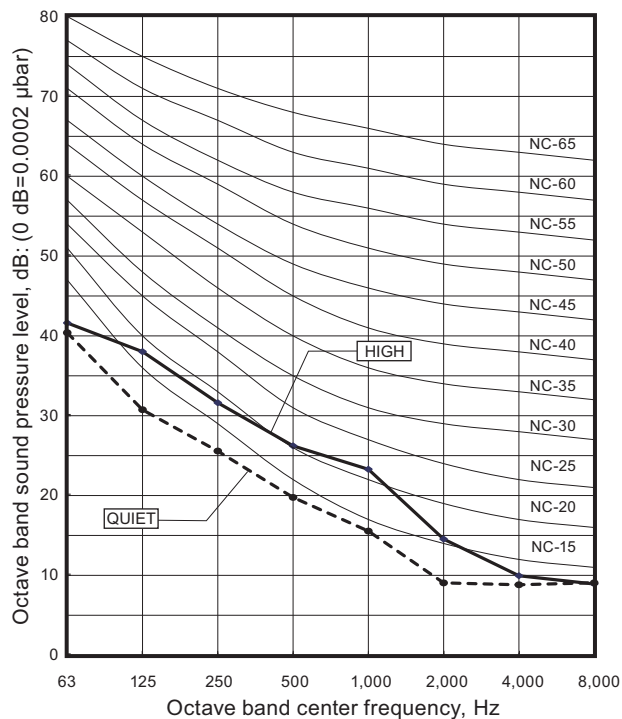


Model: ARXG09KLLAP

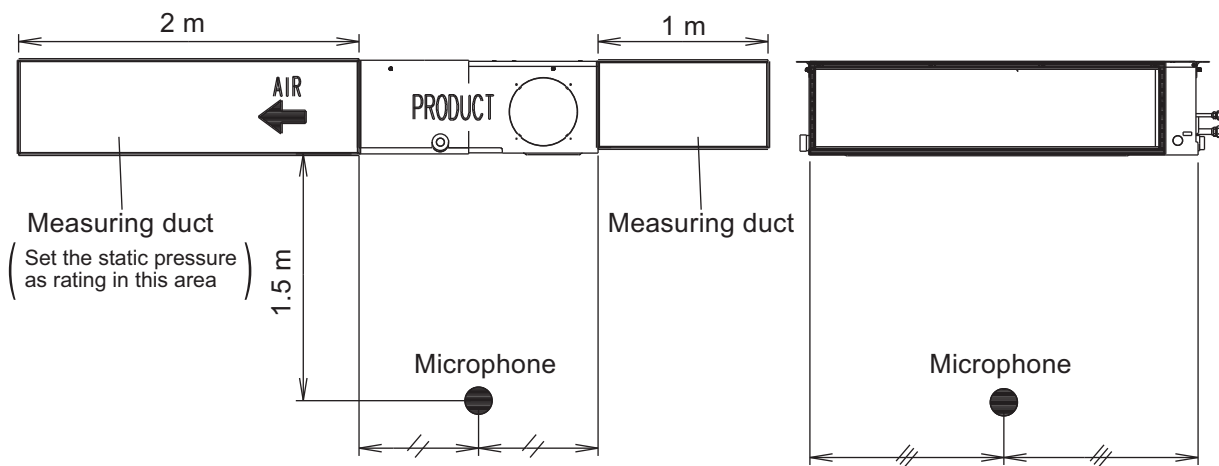
● Cooling



● Heating



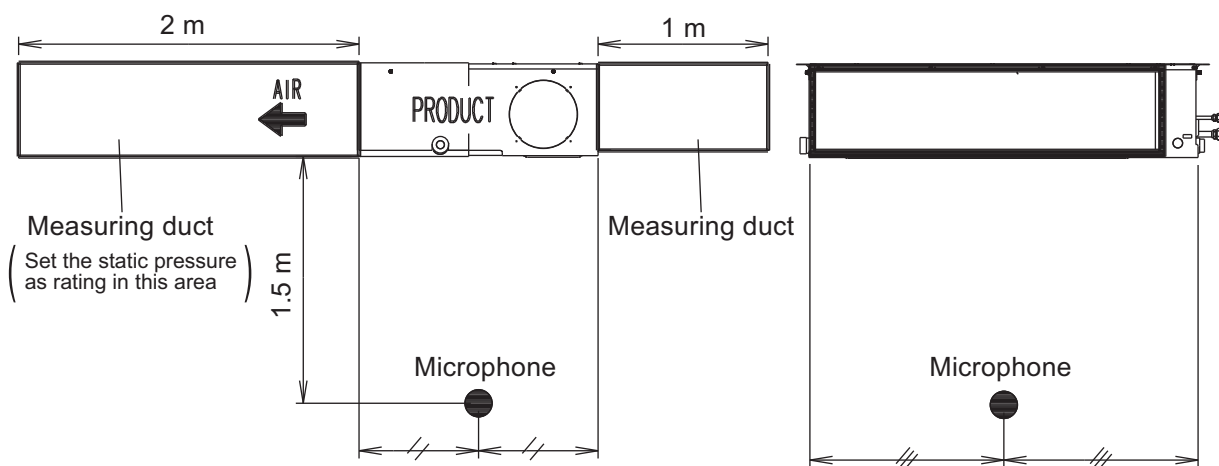
■ Mini duct type



Side view

Front view

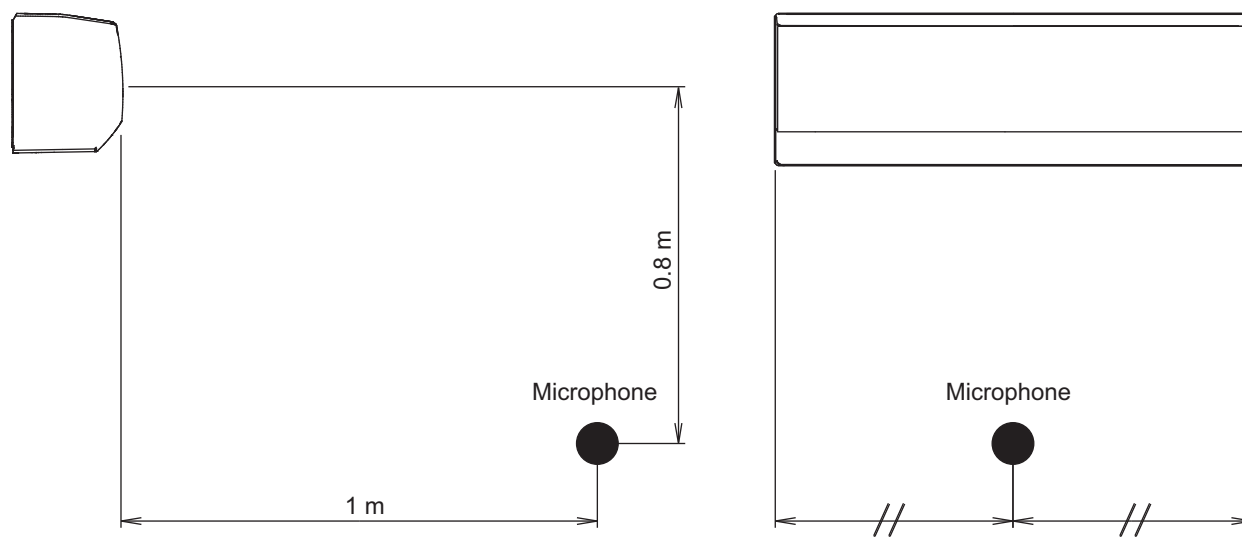
■ Slim duct type



Side view

Front view

■ Wall mounted type



NOTE: Detailed shape of the actual indoor unit might be slightly different from the one illustrated above.