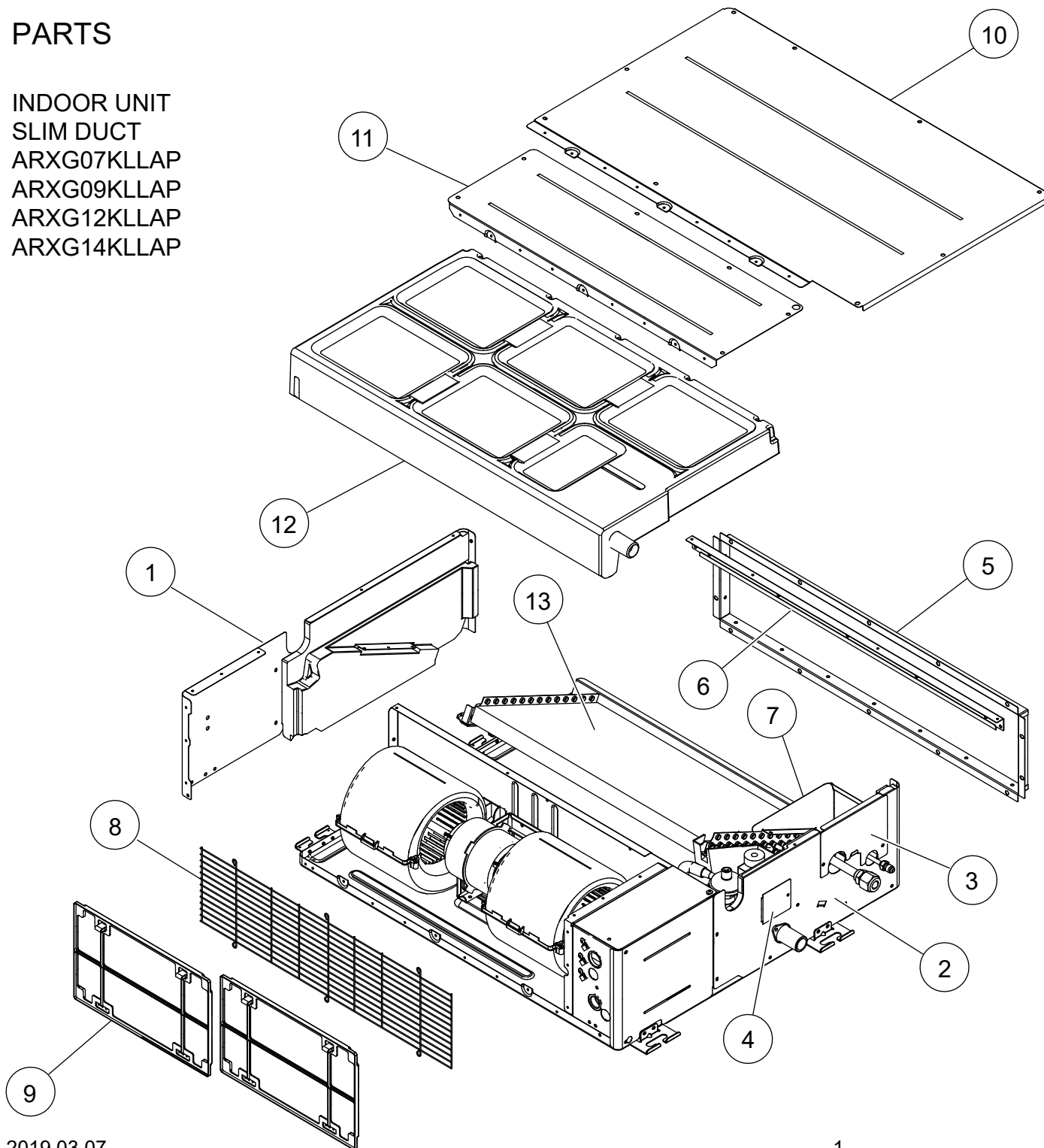


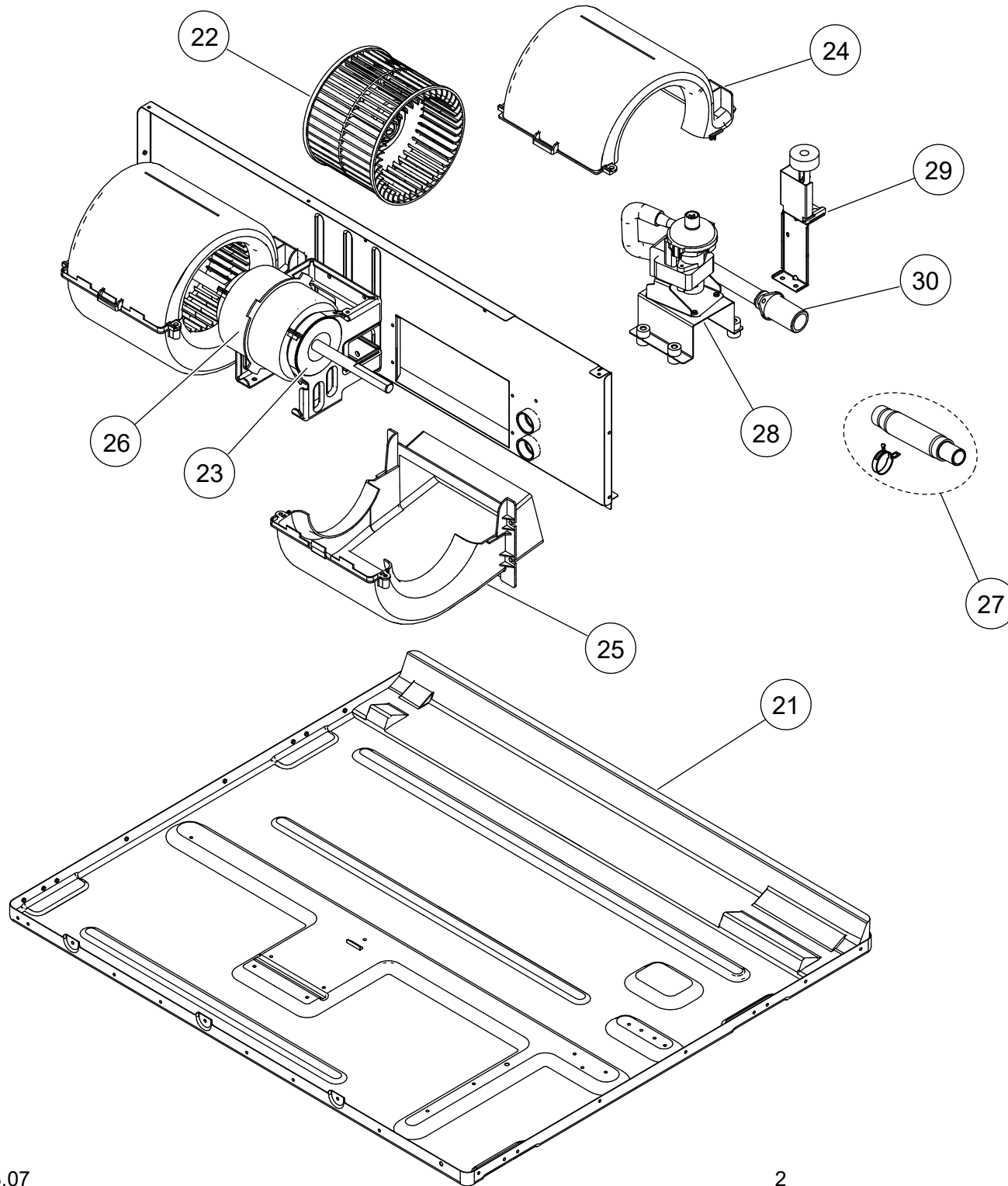
# PARTS

INDOOR UNIT  
SLIM DUCT  
ARXG07KLLAP  
ARXG09KLLAP  
ARXG12KLLAP  
ARXG14KLLAP



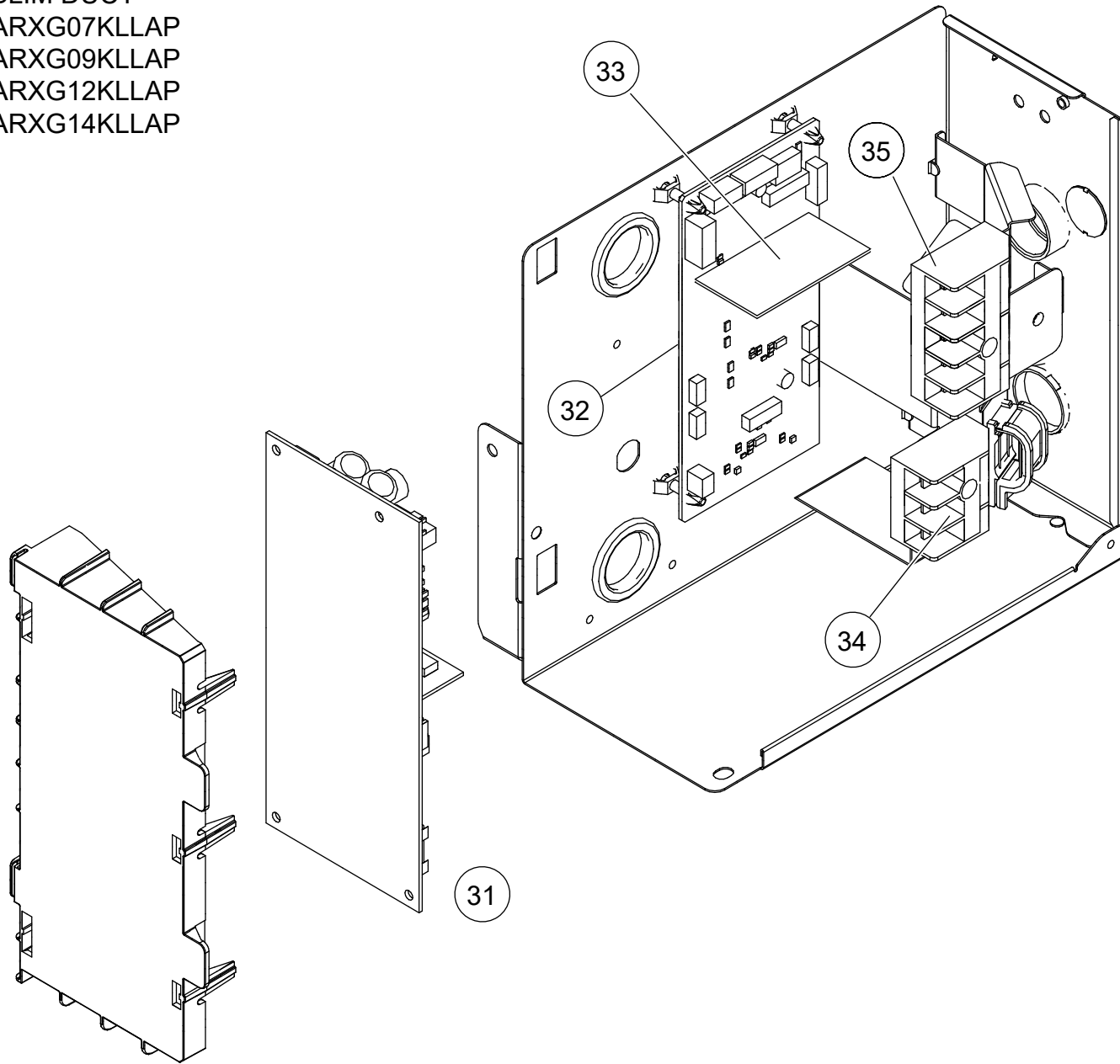
Ref	Description	Parts number
1	Side Panel R Sub Assy	9379906012
2	Side Panel L Sub Assy	9379907019
3	Pipe Panel Sub Assy	9379900003
4	Panel (Window) Sub Assy	9379915007
5	Outlet Frame Assy	9380042006
6	Front Panel (2 Fan)	9380594000
7	Valve Cover Sub Assy	9379576017
8	Fan Guard (2 Fan)	9380589006
9	Air Filter	9379574006
10	Main Panel (2 Fan)	9380602019
11	Cabinet Panel (2 Fan)	9380597001
12	Drain Pan Sub Assy	9381209002
13	Evaporator Total Assy (07)	9380682509
13	Evaporator Total Assy (09, 12, 14)	9380682486

INDOOR UNIT  
SLIM DUCT  
ARXG07KLLAP  
ARXG09KLLAP  
ARXG12KLLAP  
ARXG14KLLAP



Ref	Description	Parts number
21	Top Panel Sub Assy	9379908030
22	Sirroco Fan Assy	9379570015
23	Rubber (Vibration Proof)	9379644006
24	Casing B	9379572019
25	Casing U	9379571012
26	Fan Motor Assy (07)	9379047166
26	Fan Motor Assy (09, 12, 14)	9379047159
27	Hose Sub Assy	9378450097
28	Drain Pump Sub Assy	9379914062
29	Float Switch Sub Assy	9378593039
30	Drain Hose Assy	9379913003

INDOOR UNIT  
 SLIM DUCT  
 ARXG07KLLAP  
 ARXG09KLLAP  
 ARXG12KLLAP  
 ARXG14KLLAP



Ref	Description	Parts number
31	Power Supply PCB	9710661006
32	Main PCB (ARXG07KLLAP)	9710624308
32	Main PCB (ARXG09KLLAP)	9710624209
32	Main PCB (ARXG12KLLAP)	9710624216
32	Main PCB (ARXG14KLLAP)	9710624148
33	2 way Remote PCB	9710019005
34	Terminal 3P	9900568009
35	Terminal 3P (Wired Remote)	9900896003
--	Room Thermistor	9900653019
--	Pipe Thermistor	9900942045