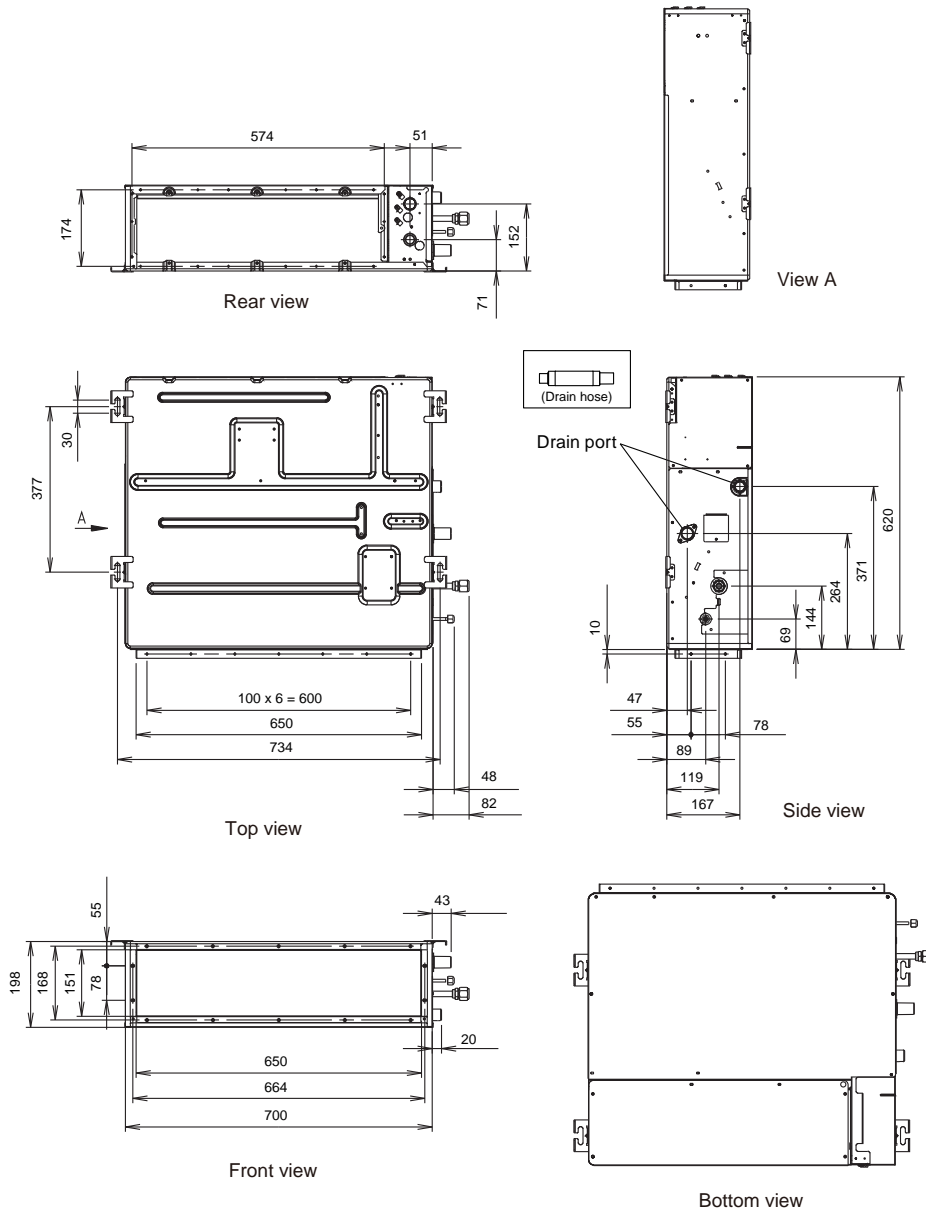


2. Dimensions

2-1. Models: ARXG09KLLAP, ARXG12KLLAP, and ARXG14KLLAP

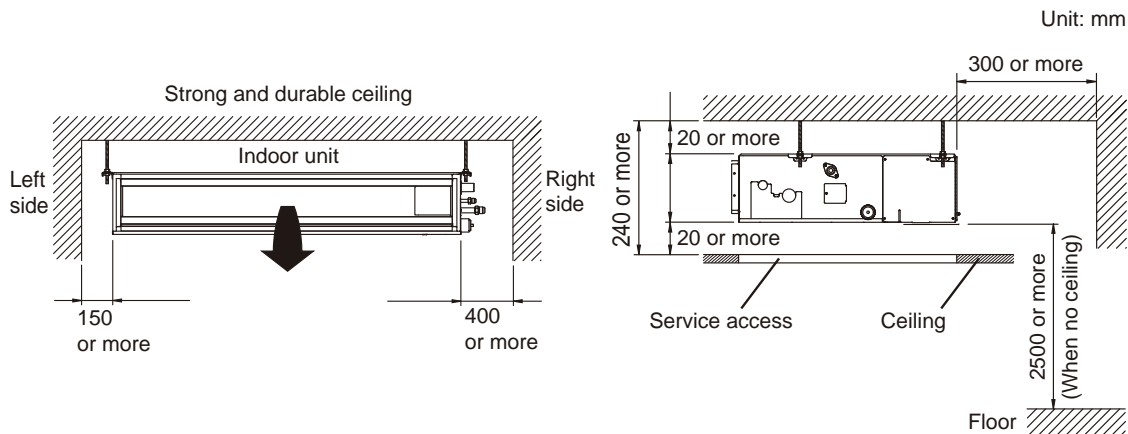
Unit: mm



2-3. Installation space requirement

Provide sufficient installation space for product safety.

In ceiling-concealed installations:



2-4. Maintenance space requirement

For future maintenance and service access, provide sufficient maintenance space.

NOTE: Do not place any wiring or illumination in the maintenance space, as they will impede service.

