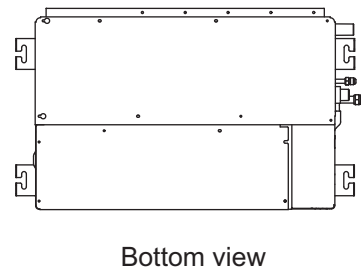
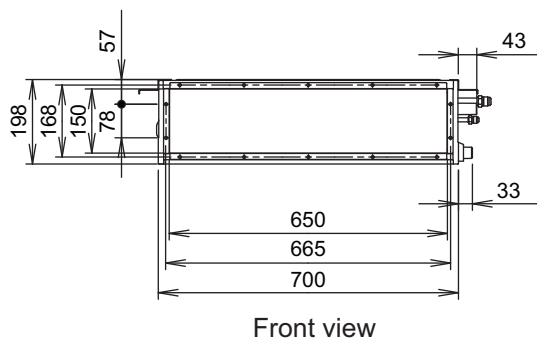
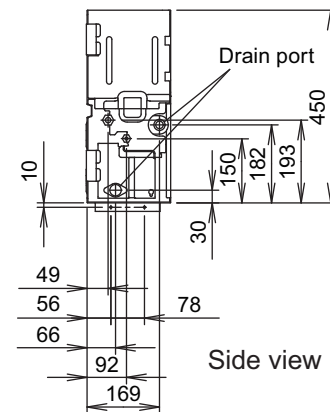
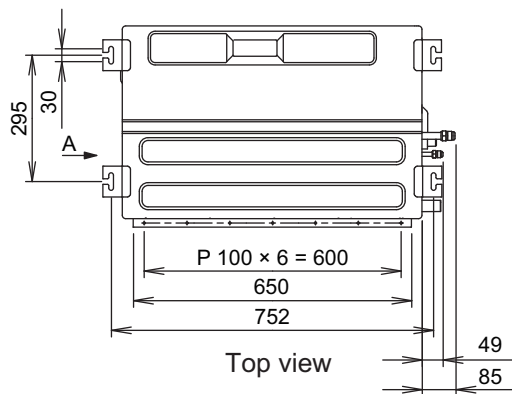
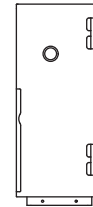
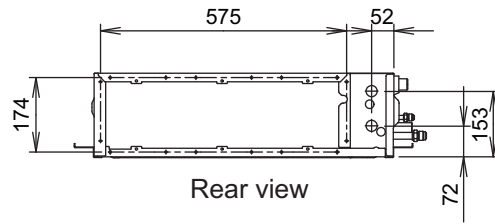


3-2. Mini duct type

■ Models: ARXG07KSLAP, ARXG09KSLAP, ARXG12KSLAP, and ARXG14KSLAP

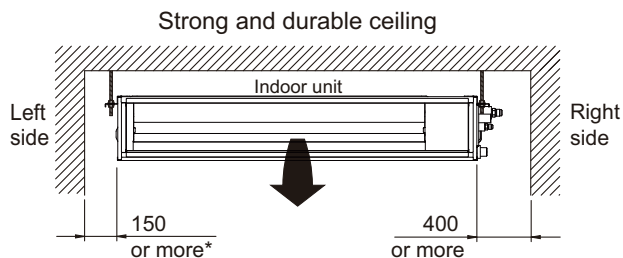
Unit: mm



● Installation space requirement

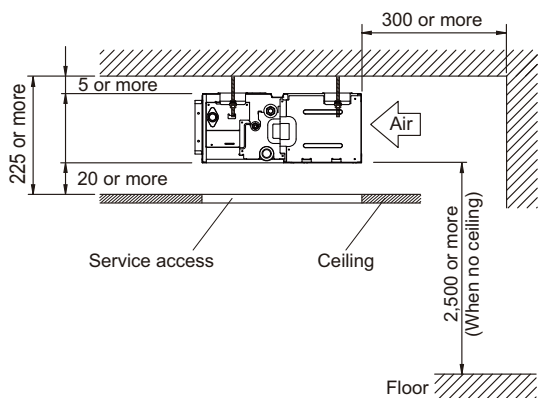
Provide sufficient installation space for product safety.

Unit: mm

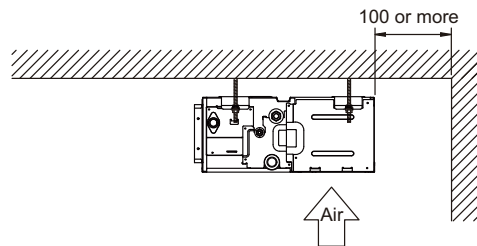


*: 400 or more when drain from drain pipe

• When intaking air from back:



• When intaking air from bottom:

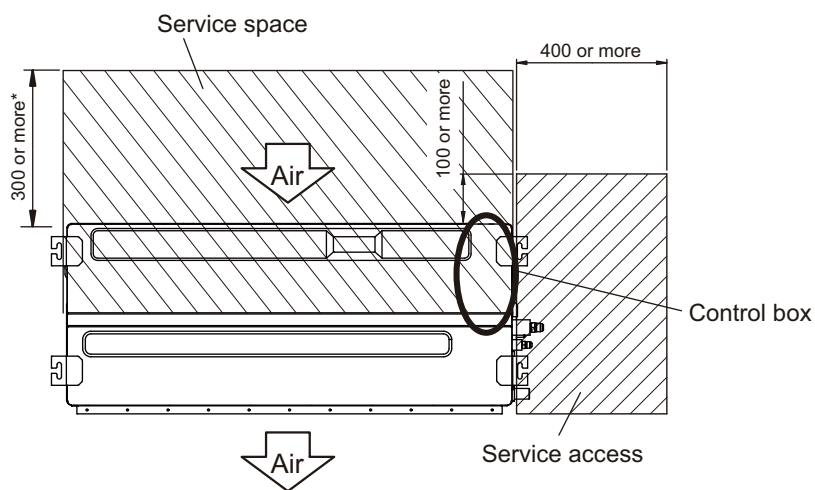


● Maintenance space requirement

For future maintenance and service access, provide sufficient maintenance space.

NOTE: Do not place any wiring or illumination in the maintenance space, as they will impede service.

Unit: mm



*: More than 100 when intaking air from bottom

Top view