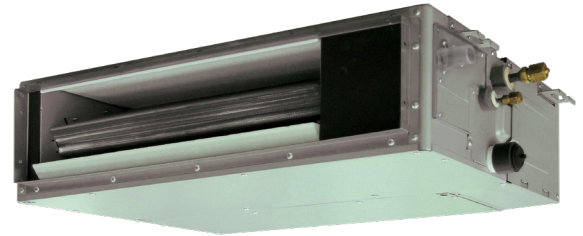


# ARXG09KSLAP

Please visit our webstore for full product and technical documentation 

Unit Type	Mini Duct
Nominal Cooling Capacity (kW)	2.5
Height (mm)	198
Width (mm)	700
Depth (mm)	450
Weight (kg)	15.5
Static Pressure Ranget (Pa)	0 to 30
Airflow Rate - Cooling - High (m3/h)	600
Airflow Rate - Heating - High (m3/h)	600
Sound Pressure Level - Cooling - High (dB(A))	29
Sound Pressure Level - Cooling - Low (dB(A))	24
Sound Pressure Level - Heating - High (dB(A))	29
Sound Pressure Level - Heating - Low (dB(A))	24
Sound Power Level - Cooling - High (dB(A))	54
Sound Power Level - Heating - High (dB(A))	56
Refrigerant Type (Global Warming Potential)	R32 (675)
Liquid Pipe Size	1/4"
Gas Pipe Size	3/8"



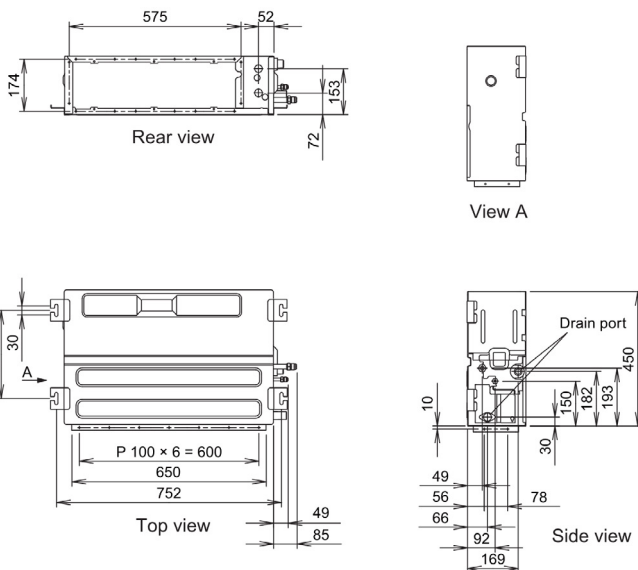
### Document Downloads

- [Air Distribution](#)
- [Airflow](#)
- [Controls & Accessories](#)
- [Dimensional Drawing](#)
- [Electrical Characteristics](#)
- [Fan Curve](#)
- [Function Settings](#)
- [Inputs & Outputs](#)
- [Installation Manual](#)
- [Noise Curve](#)
- [Operation Manual](#)
- [Product Image](#)
- [Spare Parts List All Pages](#)
- [Specifications](#)
- [Wiring Diagram](#)

### Related Items

- [AOYG14KBTA2](#) 4.0kW 2 Way Multi Outdoor Unit - R32 1 Ph
- [AOYG18KBTA2](#) 5.0kW 2 Way Multi Outdoor Unit - R32 1 Ph
- [AOYG18KBTA3](#) 5.4kW 3 Way Multi Outdoor Unit - R32 1 Ph
- [AOYG24KBTA3](#) 6.8kW 3 Way Multi Outdoor Unit - R32 1 Ph
- [AOYG30KBTA4](#) 8.0kW 4 Way Multi Outdoor Unit - R32 1 Ph
- [AOYG36KBTA5](#) 10.0kW 5 Way Multi Outdoor Unit - R32 1 Ph
- [UTYTFSXZ1](#) Wireless LAN interface
- [UTYRVNYM](#) LCD Wired Remote Controller
- [UTYRHRY](#) Simple Remote Controller (without Master Control)
- [UTYRSRY](#) Simple Remote Controller (with Master Control)
- [UTYRSNYM](#) Simplified Wired Remote Controller
- [UTYLBTYM](#) Infra-Red Receiver Kit, Receiver Wire -9710358012
- [UTYXSZX](#) Remote Sensor Unit (for All Duct type)
- [UTYVTGX](#) Splits Network Converter (DC Powered)
- [UTYVTGXV](#) Splits Network Converter (AC Powered)

Unit: mm



\*Specifications and design are subject to change without notice for further improvement.  
 \*Actual products' colors may be different from the colors shown in this printed material.

Distributed by :

**FUJITSU GENERAL AIR CONDITIONING (UK) LIMITED**  
 Unit 150, Centennial Park, Centennial Avenue, Elstree, Borehamwood, Herts, WD6 3SG

[www.fujitsu-general.com/uk](http://www.fujitsu-general.com/uk)

[sales@fgac.fujitsu-general.com](mailto:sales@fgac.fujitsu-general.com)

Tel: +44 (0) 208 731 3450 Fax: +44 (0) 208 731 3451