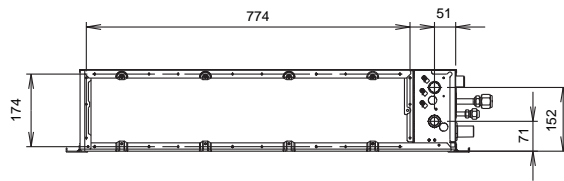
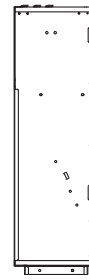


2-2. Model: ARXG18KLLAP

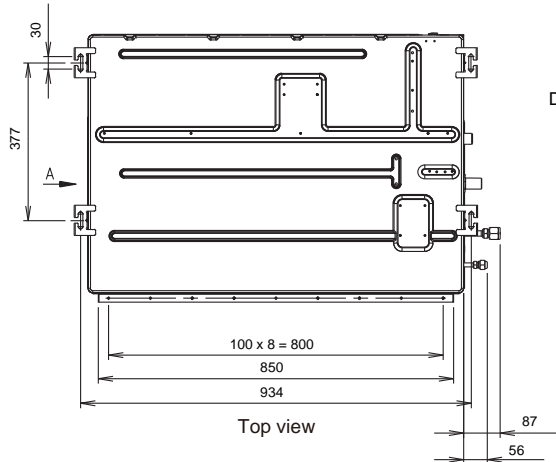
Unit: mm



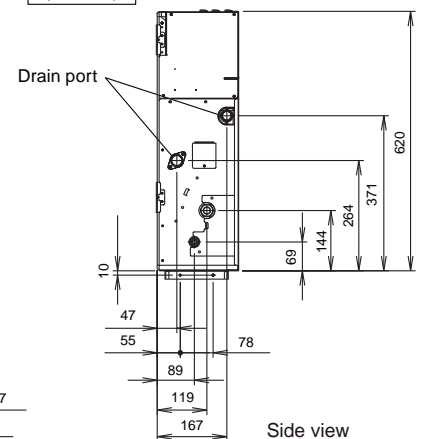
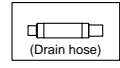
Rear view



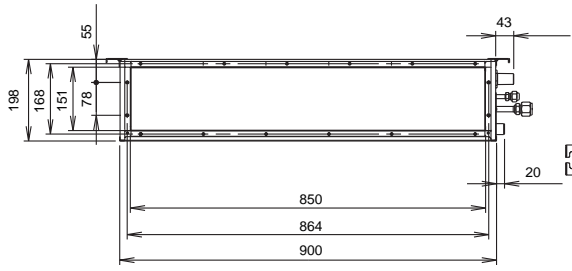
View A



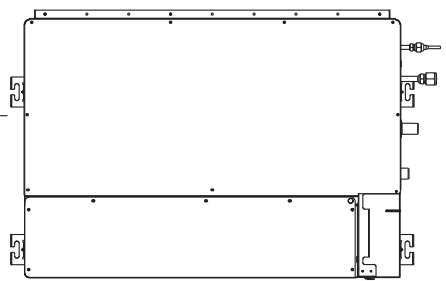
Top view



Side view



Front view

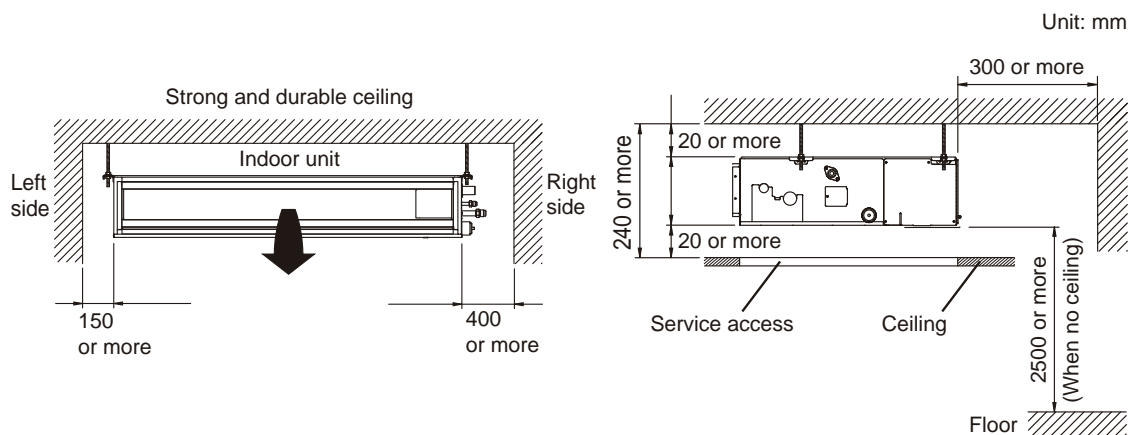


Bottom view

2-3. Installation space requirement

Provide sufficient installation space for product safety.

In ceiling-concealed installations:



2-4. Maintenance space requirement

For future maintenance and service access, provide sufficient maintenance space.

NOTE: Do not place any wiring or illumination in the maintenance space, as they will impede service.

