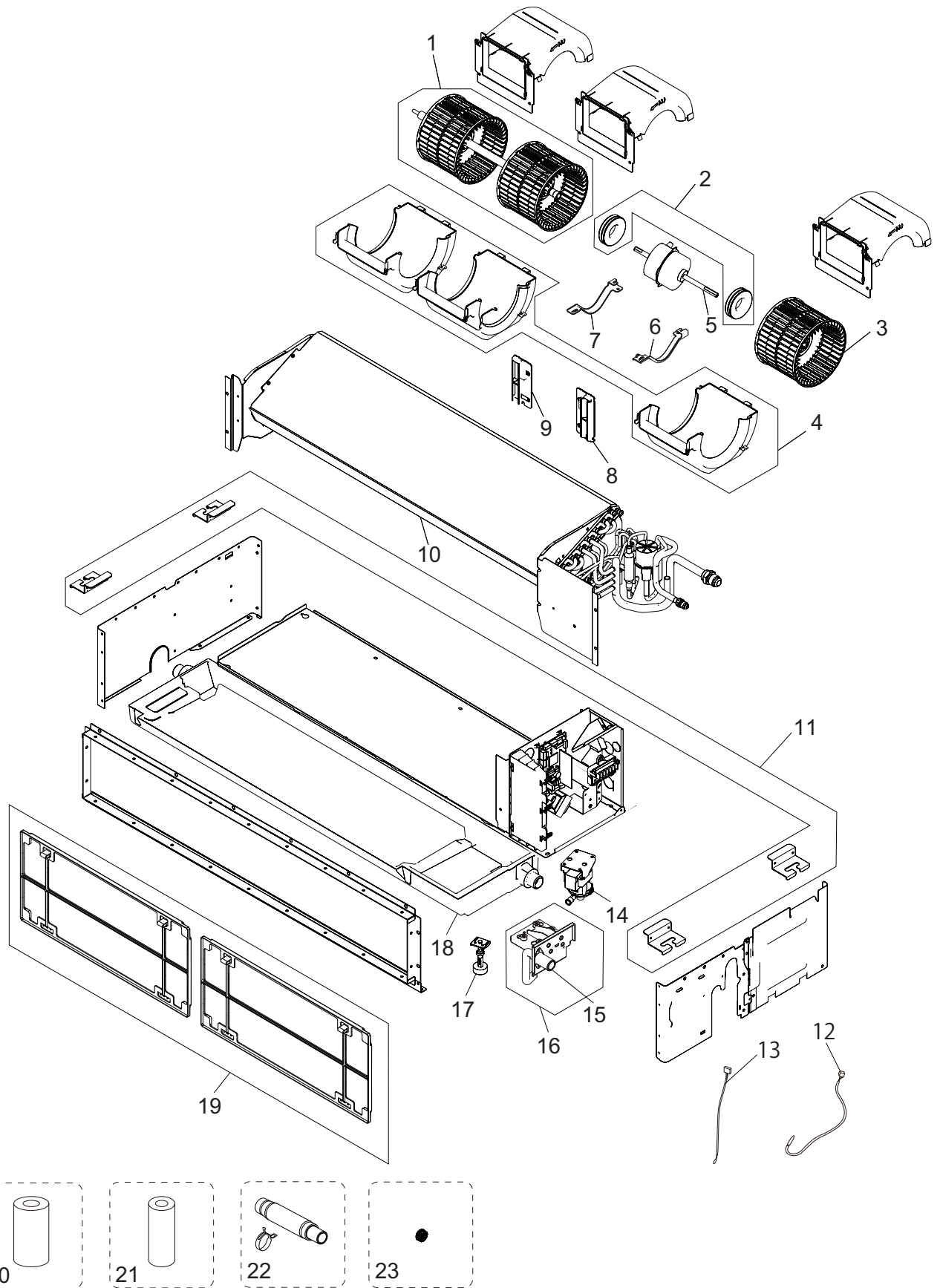


■ Model: ARXG18KSLAP

● Chassis

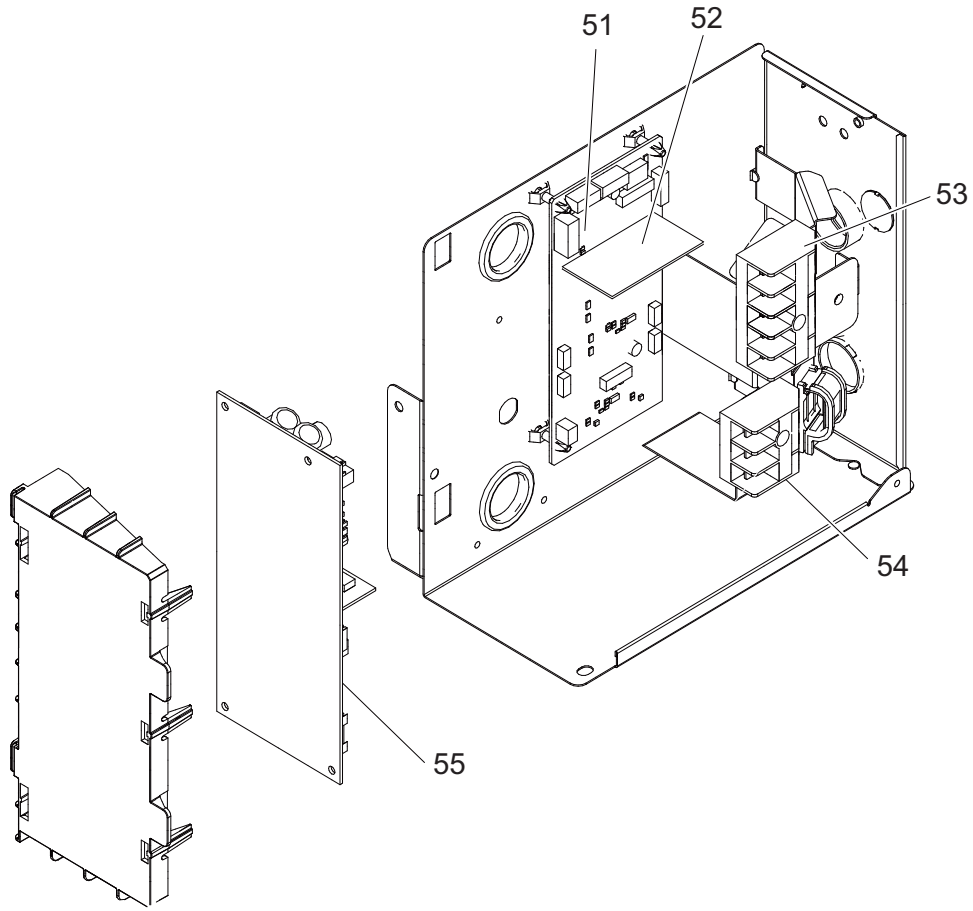
TECHNICAL DATA
AND PARTS LIST

TECHNICAL DATA
AND PARTS LIST



Item no.	Part no.	Part name	Service part
1	9379971065	Sirroco fan sub assy	◆
2	9383443008	Rubber vibration proof assy	◆
3	9379570022	Sirroco fan assy	◆
4	9381676002	Casing B	◆
5	9379047128	Motor band L	◆
6	9381669004	Motor band L	◆
7	9381670000	Motor band R	◆
8	9381831005	Air guide L	◆
9	9381832002	Air guide R	◆
10	9381933624	Evaporator total assy	◆
11	9381659005	Hook metal	◆
12	9900653033	Thermistor (room)	◆
13	9900349011	Thermistor (pipe)	◆
14	9900472061	Pump assy	◆
15	9381928002	Drain hose assy	◆
16	9381927005	Drain pump panel sub assy	◆
17	9900465063	Float switch	◆
18	9381930104	Drain pan sub assy	◆
19	9379575003	Air filter	◆
20	9378173569	Insulation pipe C	◆
21	9378173521	Insulation pipe D	◆
22	9378450097	Hose sub assy	◆
23	9357921006	Bearing B assy	◆

● Inverter unit



TECHNICAL DATA
AND PARTS LIST

TECHNICAL DATA
AND PARTS LIST

Item no.	Part no.	Part name	Service part
51	9710624315	Main PCB	◆
52	9710019005	2way remote PCB	◆
53	9900896003	Terminal (remote control)	◆
54	9900568009	Terminal (power)	◆
55	9710661020	Power PCB	◆
—	9710177057	Wire with connector (CN46—External input)	◆
—	9710173066	Wire with connector (CN300—Remote terminal)	◆
—	9710703010	Wire with connector (CN205—Power)	◆
—	9710171055	Wire with connector (CN262—CN260)	◆
—	9710206047	Wire with connector (CN263—CN261)	◆