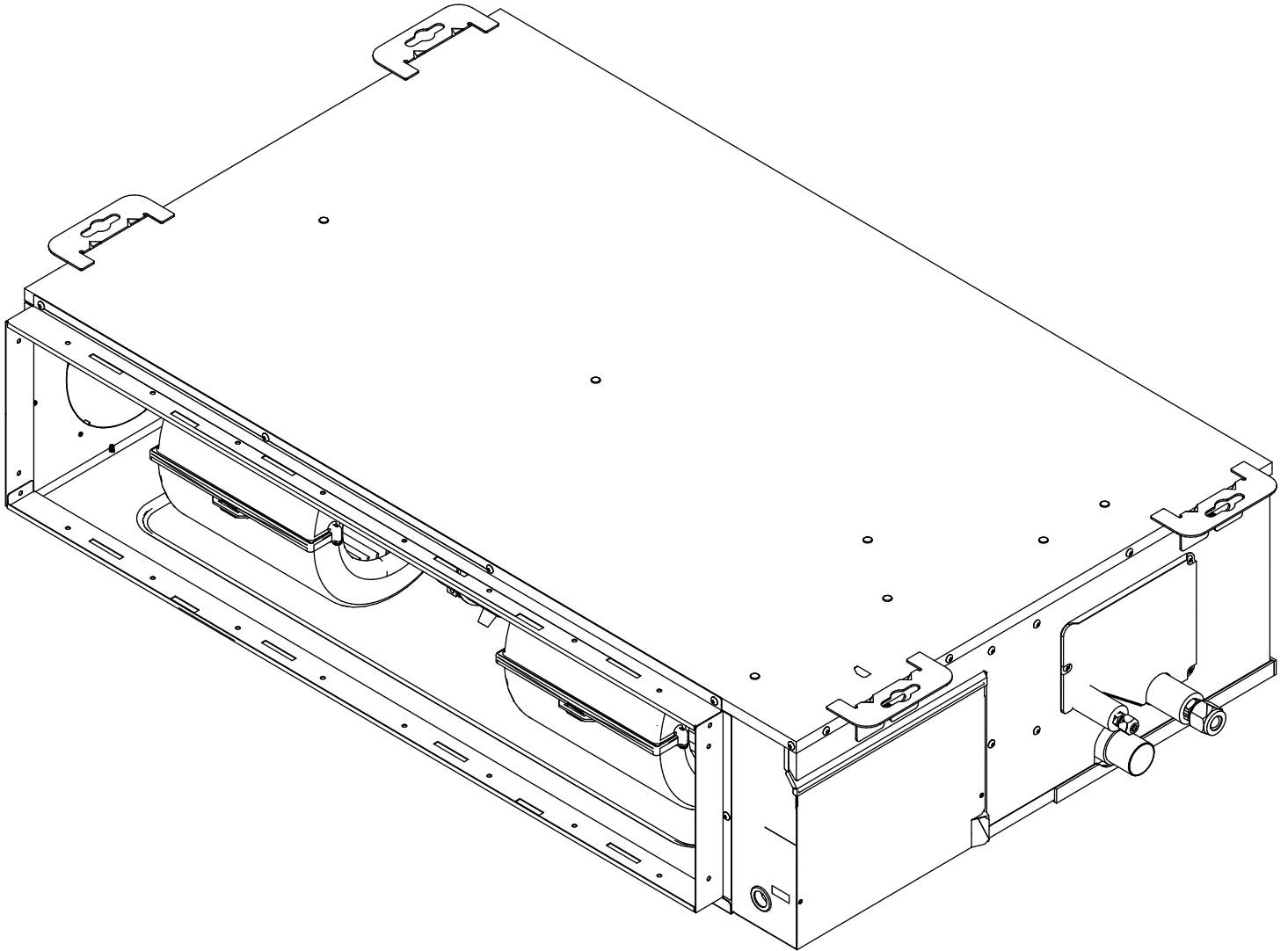


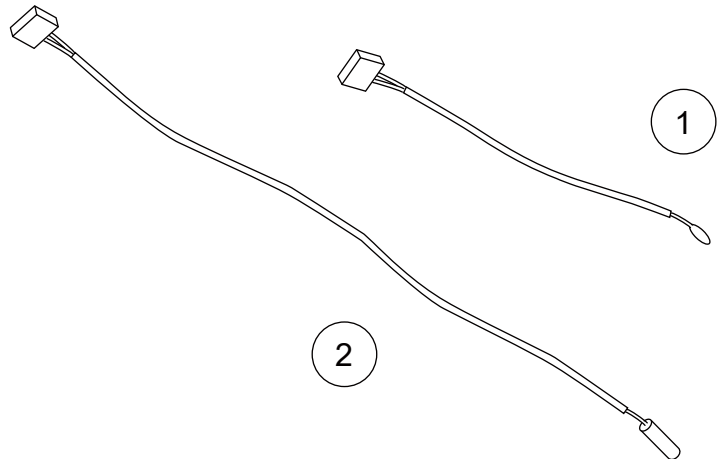
PARTS

INDOOR UNIT
ARXG22KMLA
ARXG24KMLA
ARXG30KMLA
ARXG36KMLA
ARXG45KMLA

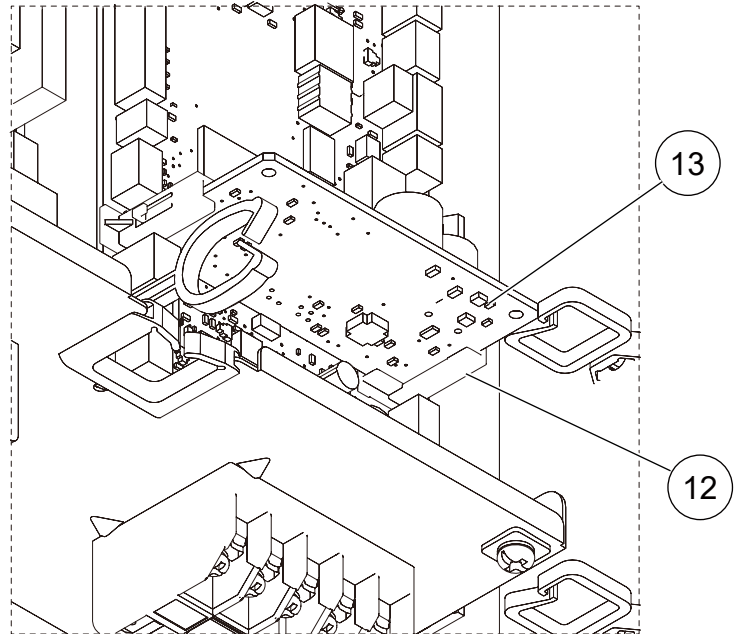
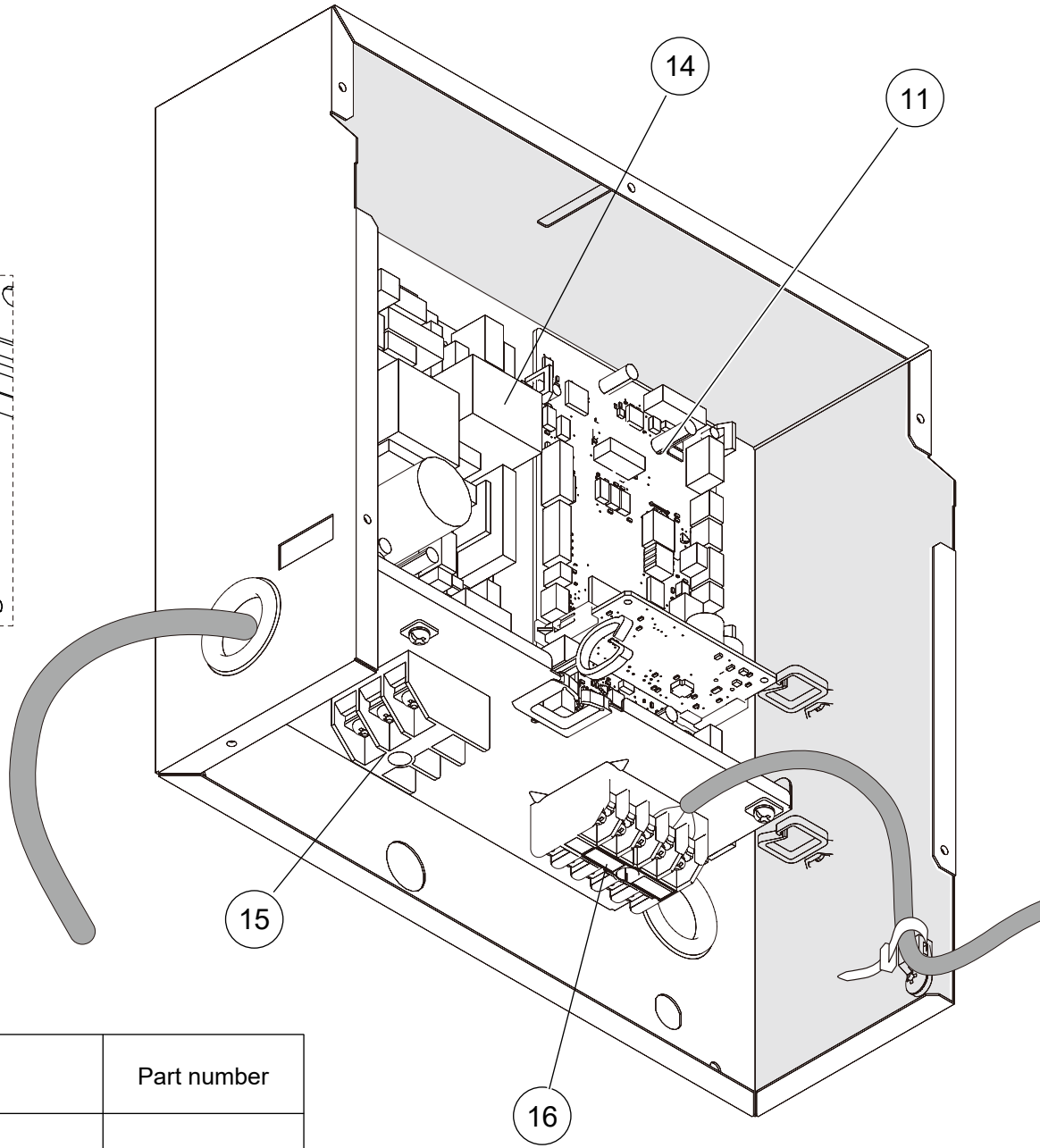
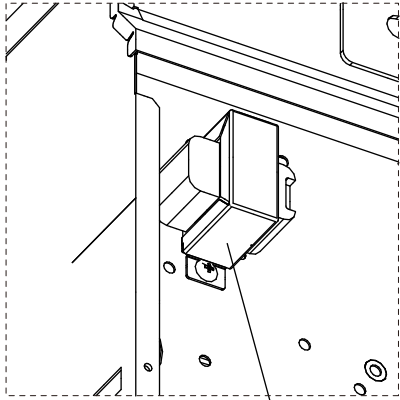
Hook metal



Ref.	Description	Part number
1	Room thermistor	9900826048
2	Pipe thermistor	9900942045

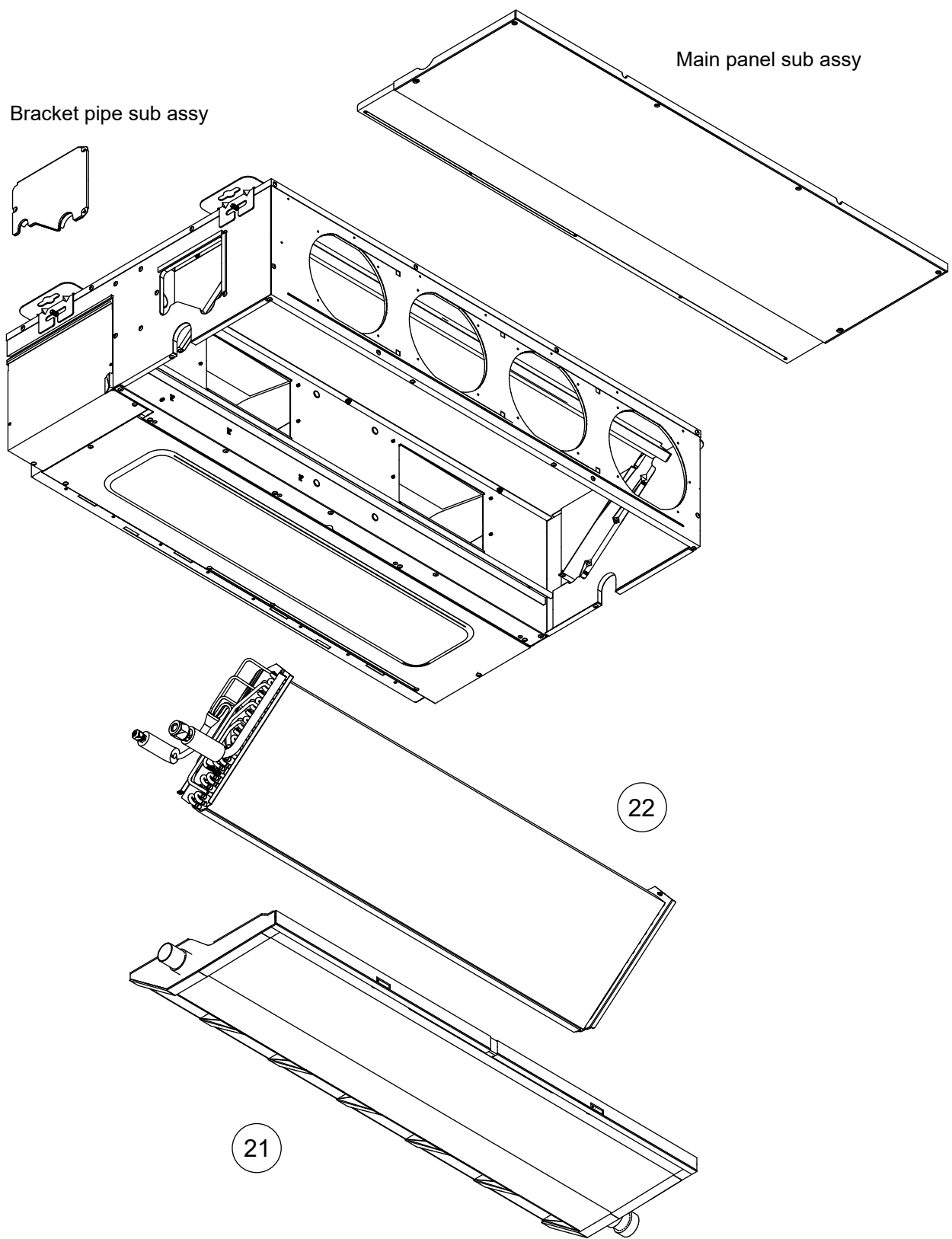


INDOOR UNIT
 ARXG22KMLA
 ARXG24KMLA
 ARXG30KMLA
 ARXG36KMLA
 ARXG45KMLA



Ref.	Description	Part number
11	Main PCB (ARXG22KMLA)	9710624124
11	Main PCB (ARXG24KMLA)	9710624223
11	Main PCB (ARXG30KMLA)	9710624230
11	Main PCB (ARXG36KMLA)	9710624247
11	Main PCB (ARXG45KMLA)	9710624254
12	Holder	0600063023
13	Communication PCB	9710019005
14	Power supply PCB	9710661013
15	Terminal 3P	9306489045
16	Terminal 5P	9900896003
17	Reactor assy	9707457049

INDOOR UNIT
 ARXG22KMLA
 ARXG24KMLA
 ARXG30KMLA
 ARXG36KMLA
 ARXG45KMLA

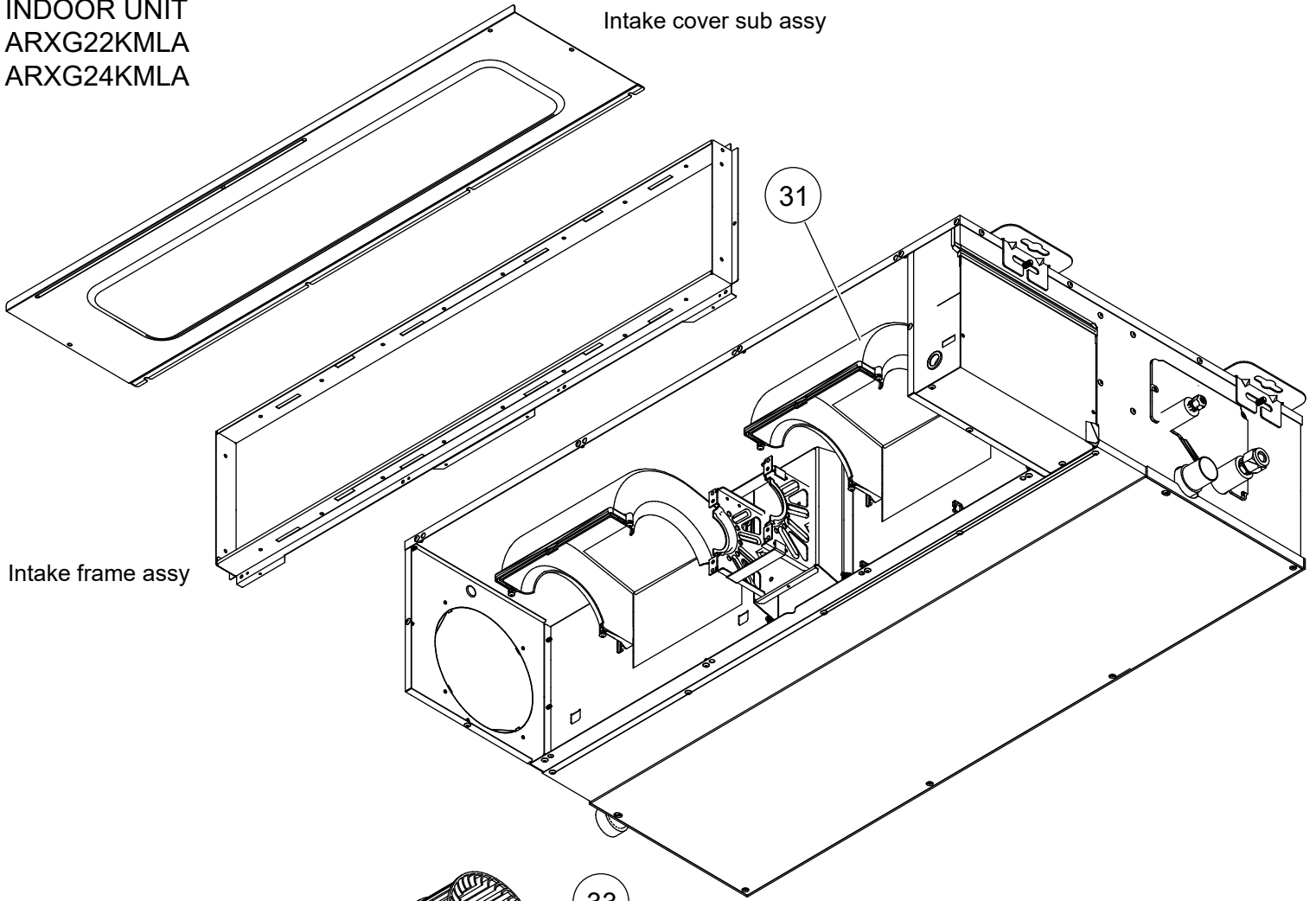


Ref.	Description	Part number
21	Drain pan sub assy	9374513017
22	Evaporator Total Assy (ARXG22, 24KMLA)	9374517978
22	Evaporator Total Assy (ARXG30, 36KMLA)	9383816048
22	Evaporator Total Assy (ARXG45KMLA)	9383816031

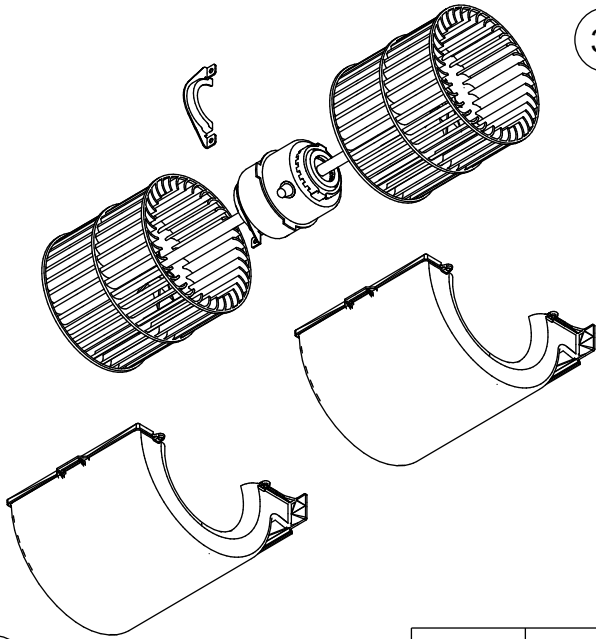
INDOOR UNIT
ARXG22KMLA
ARXG24KMLA

Intake cover sub assy

Intake frame assy

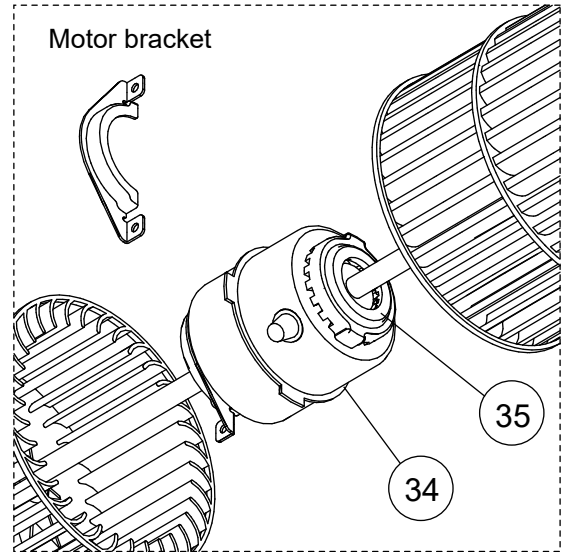


33



32

Motor bracket

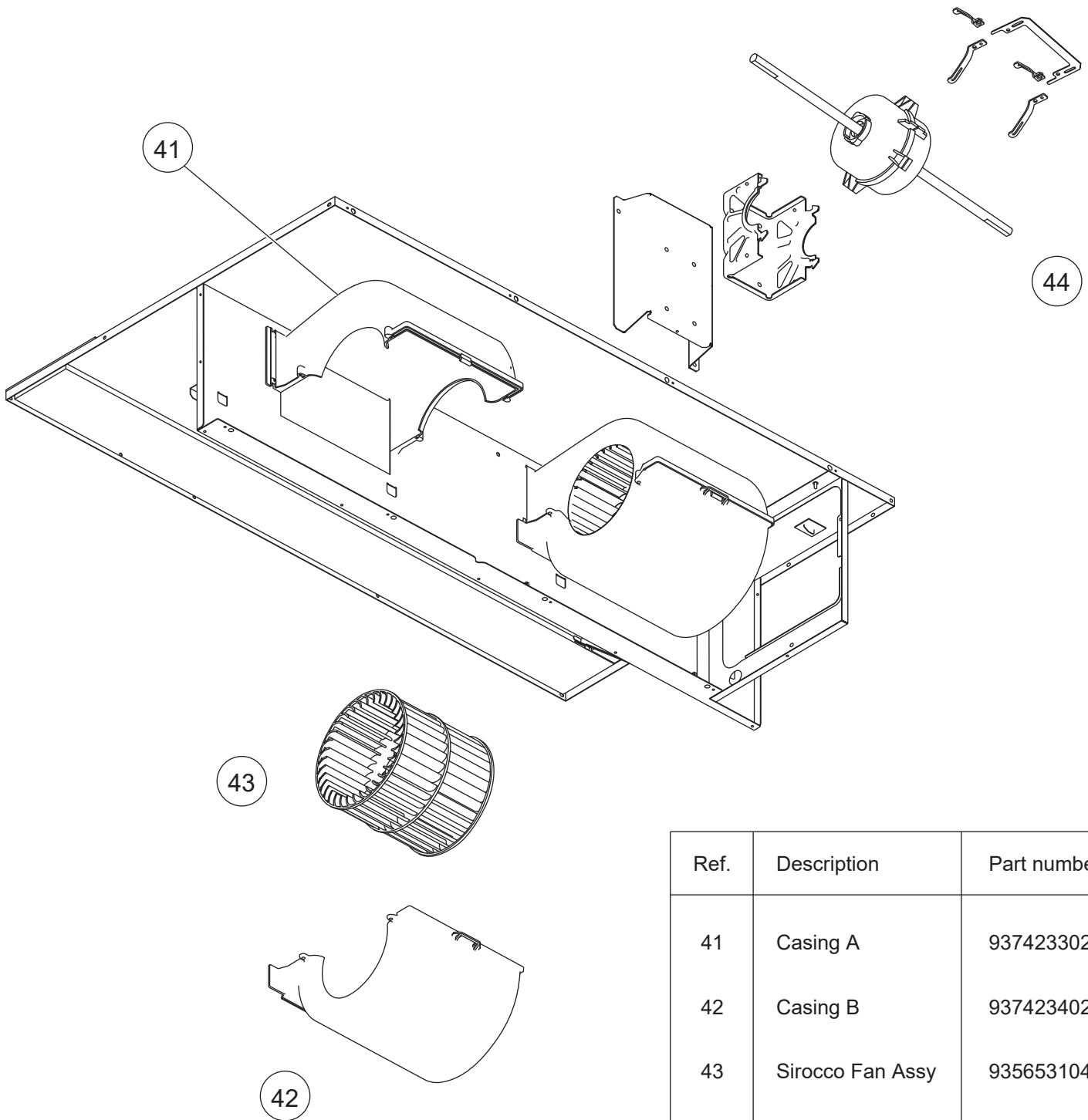


35

34

Ref.	Description	Part number
31	Casing A	9374233021
32	Casing B	9374234028
33	Sirocco fan assy	9356531060
34	Fan motor assy	9380718031
35	Rubber	9385102002

INDOOR UNIT
 ARXG30KMLA
 ARXG36KMLA
 ARXG45KMLA



Ref.	Description	Part number
41	Casing A	9374233021
42	Casing B	9374234028
43	Sirocco Fan Assy	9356531046
44	Fan Motor	9603213015