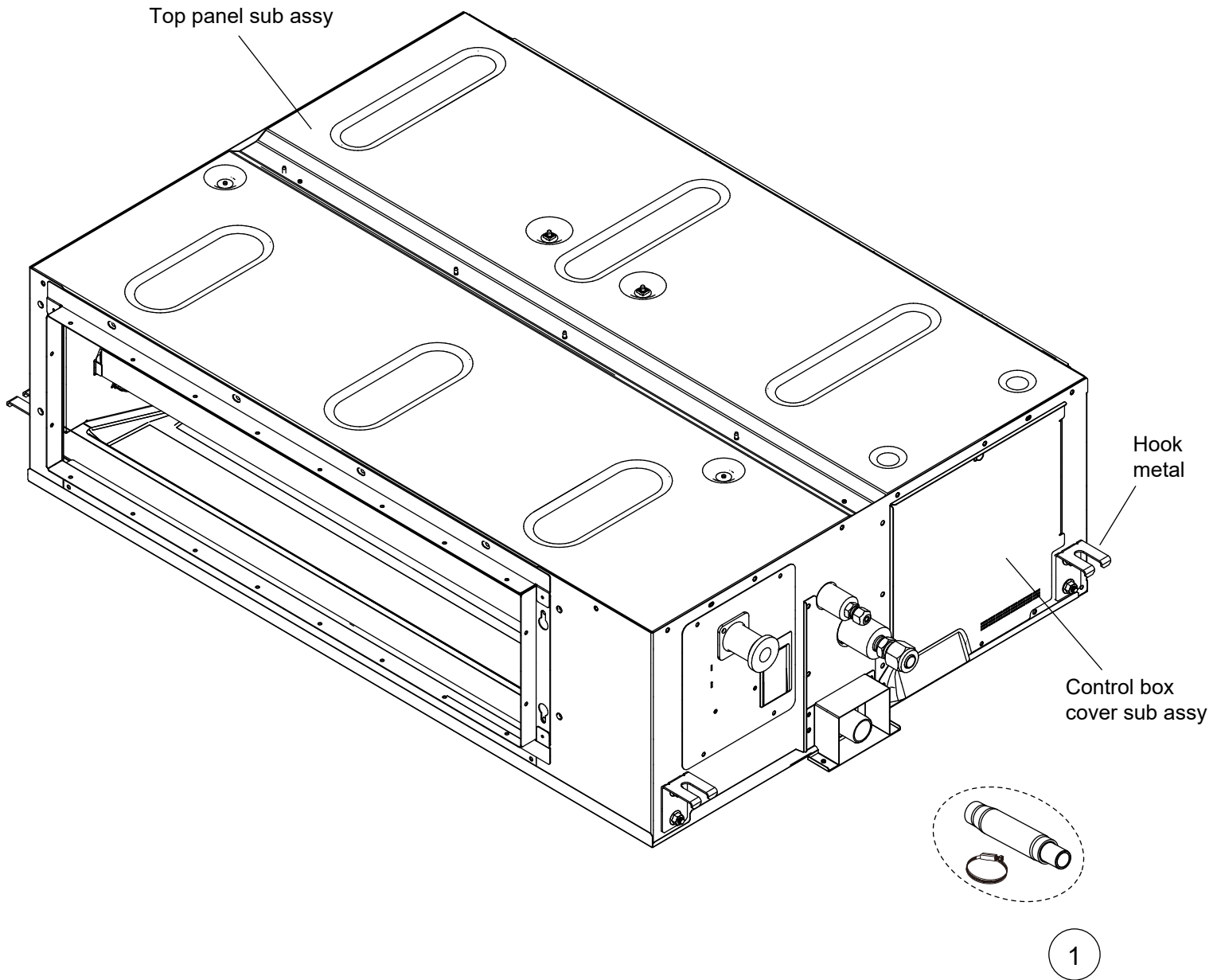
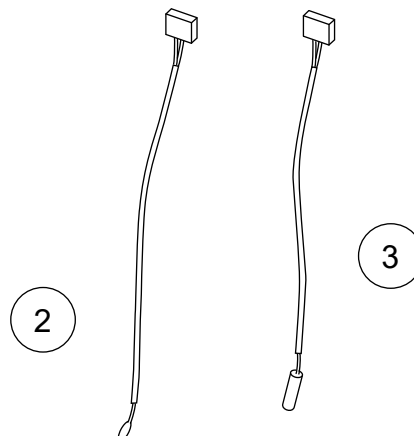


Parts

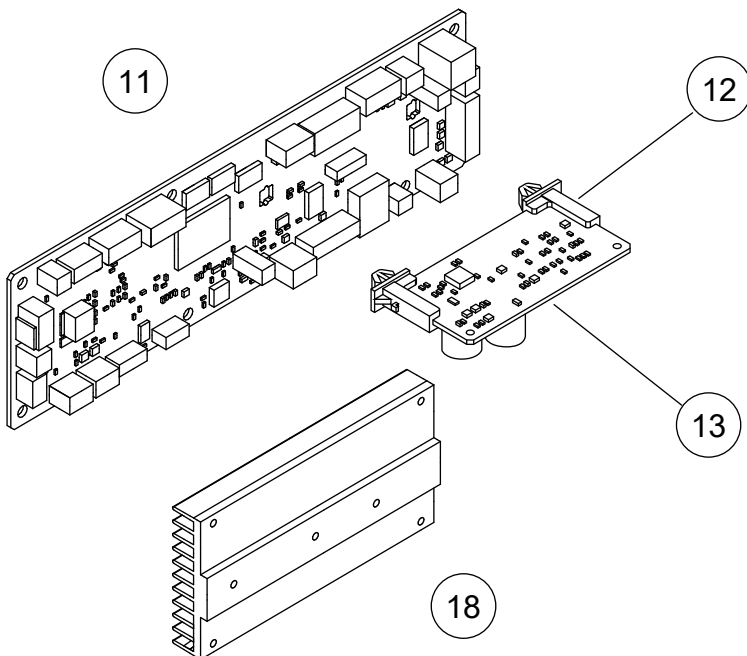
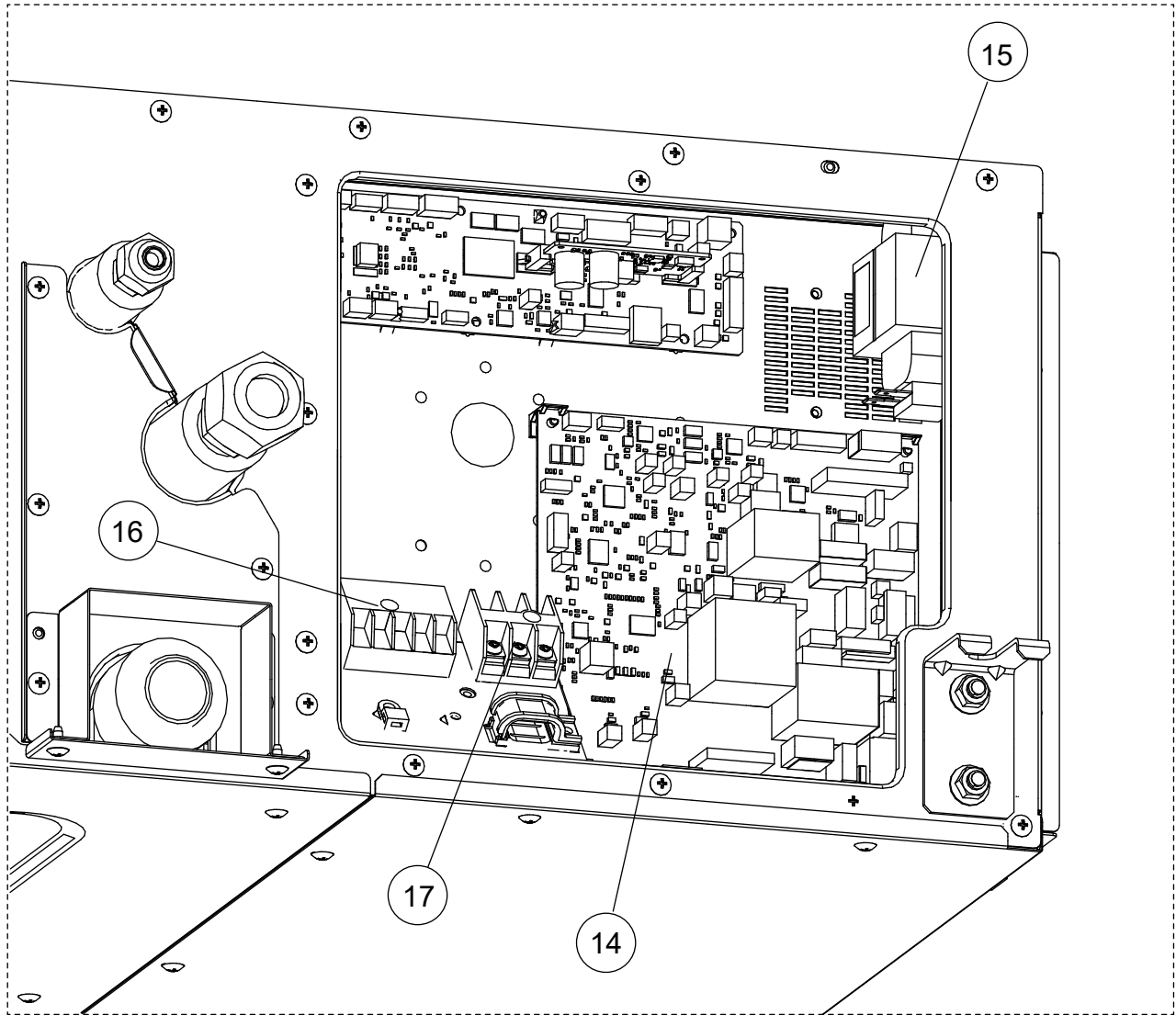
INDOOR UNIT
ARXG24KHTAP
ARXG30KHTAP



Ref.	Description	Part number
1	Hose sub assy	9378450196
2	Room thermistor	9703299278
3	Pipe thermistor	9900892005

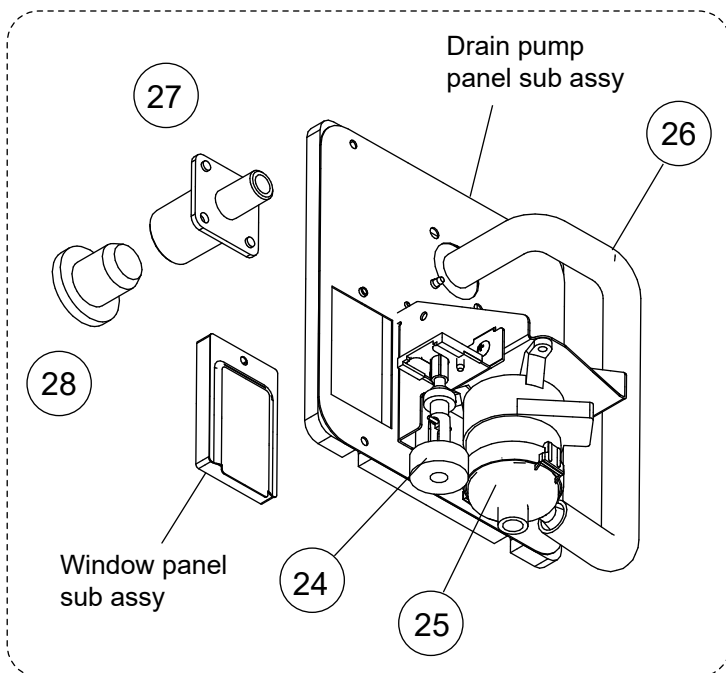
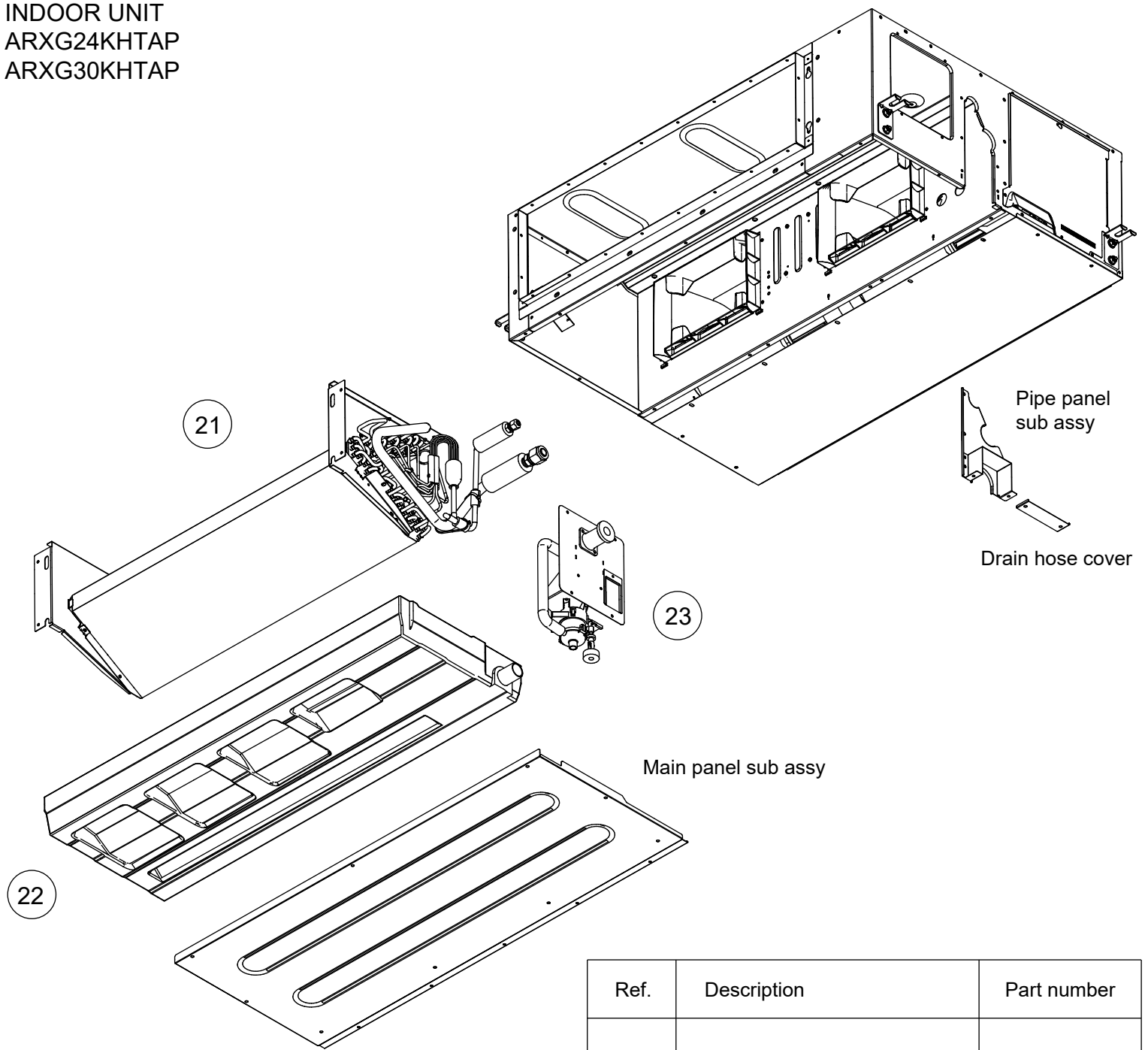


INDOOR UNIT
ARXG24KHTAP
ARXG30KHTAP



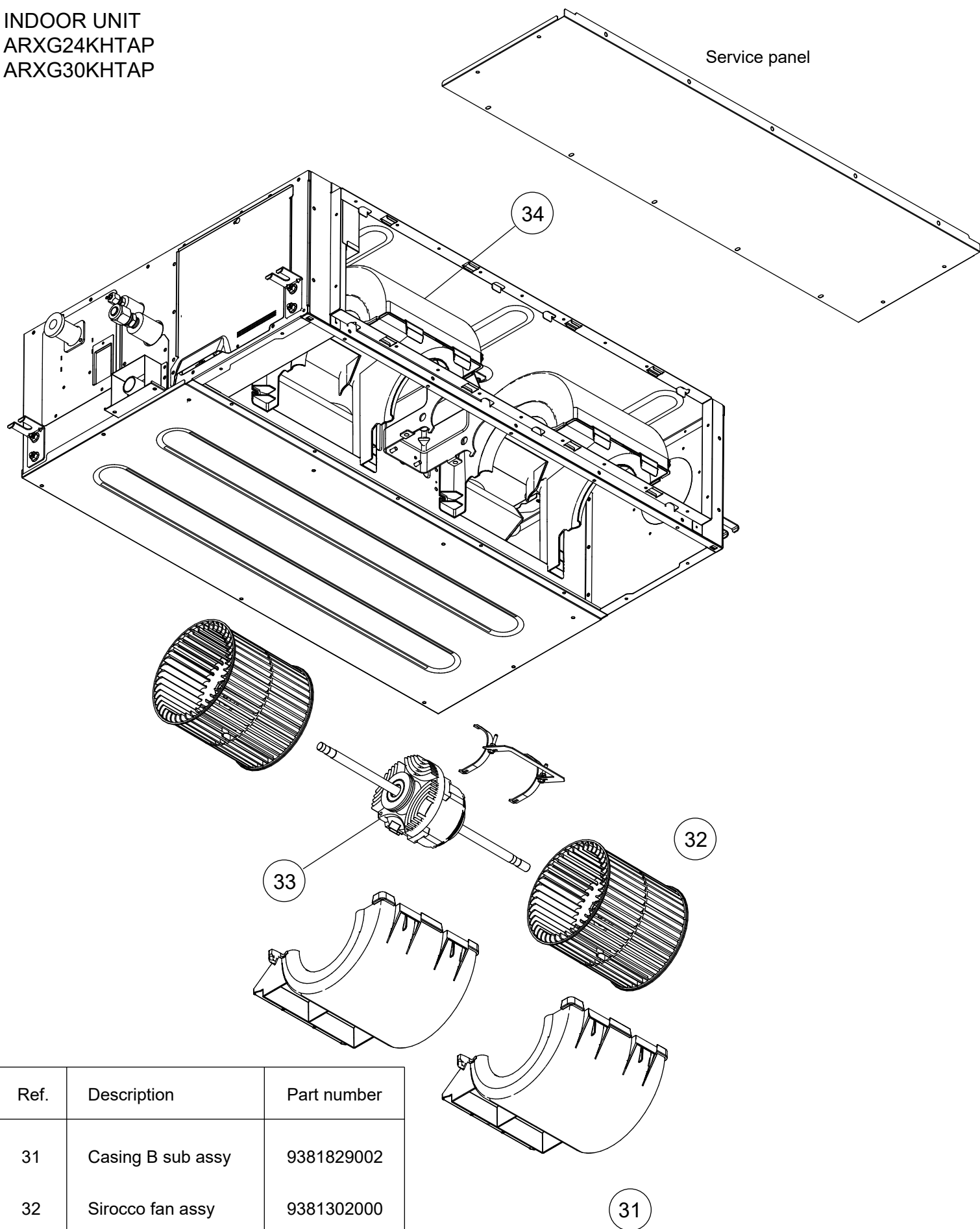
Ref.	Description	Part number
11	Main PCB (24KHTAP)	9710995927
11	Main PCB (30KHTAP)	9710995934
12	Holder	0600063023
13	Communication PCB	9710019005
14	Power Supply PCB (24)	9710032011
14	Power Supply PCB (30)	9710261008
15	Reactor Assy	9900898014
16	Terminal (Remote)	9900896003
17	Terminal (Power)	9900568009
18	Heatsink (30KHTAP)	9381518005

INDOOR UNIT
ARXG24KHTAP
ARXG30KHTAP



Ref.	Description	Part number
21	Evaporator Total Assy (24)	9383816062
21	Evaporator Total Assy (30)	9383816055
22	Drain Pan Sub Assy	9381752027
23	Drain Pump Sub Assy	9381766017
24	Float Switch	9900465070
25	Pump Assy	9900890018
26	Drain Hose	9381576005
27	Drain Port	9381565009
28	Drain Cap	9381578009

INDOOR UNIT
ARXG24KHTAP
ARXG30KHTAP



Ref.	Description	Part number
31	Casing B sub assy	9381829002
32	Sirocco fan assy	9381302000
33	Fan motor (24KHTAP)	9603479015
33	Fan motor (30KHTAP)	9603481018
34	Casing A	9381587001

INDOOR UNIT
ARXG24KHTAP
ARXG30KHTAP

