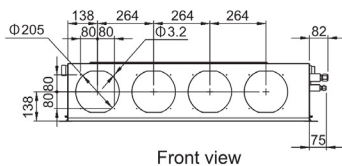


ARXG24KMLA

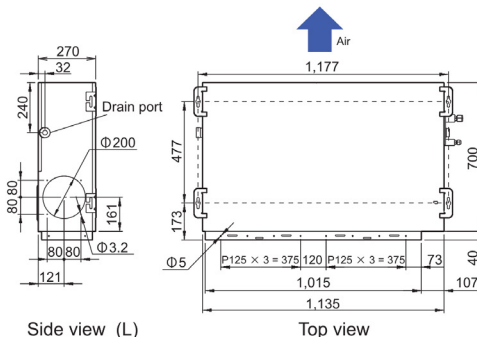
Please visit our webstore for full product and technical documentation 

Unit Type	Medium Static Ducted
Remote Controller	Option
Nominal Cooling Capacity (kW)	6.8
Nominal Heating Capacity (kW)	7.5
Height (mm)	270
Width (mm)	1135
Depth (mm)	700
Weight (kg)	35
Filter	UTDLF25NA / UTDRF204
Standard Static Pressure (Pa)	35
Static Pressure Ranget (Pa)	30 to 150
Airflow Rate - Cooling - High (m3/h)	1100
Airflow Rate - Heating - High (m3/h)	1100
Sound Pressure Level - Cooling - High (dB(A))	31
Sound Pressure Level - Cooling - Low (dB(A))	25
Sound Pressure Level - Heating - High (dB(A))	31
Sound Pressure Level - Heating - Low (dB(A))	25
Sound Power Level - Cooling - High (dB(A))	60
Sound Power Level - Heating - High (dB(A))	62
Moisture Removal (l/h)	2.5
Refrigerant Type (Global Warming Potential)	R32 (675)
Liquid Pipe Size	1/4"
Gas Pipe Size	1/2"
Unit Power Supply	From Outdoor Unit

Unit: mm

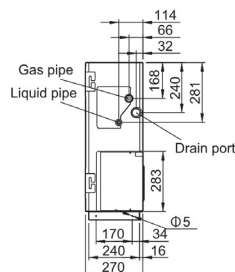


Front view

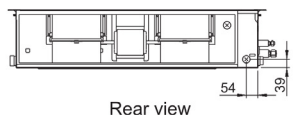


Side view (L)

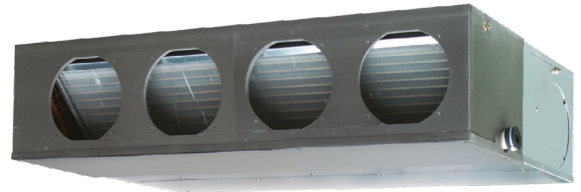
Top view



Side view (R)



Rear view



Document Downloads

[Airflow - Fan Curve](#)
[Controls & Accessories](#)
[Dimensional Drawing](#)
[Function Settings](#)
[Inputs & Outputs](#)
[Installation Manual](#)
[Noise Curve](#)
[Operation Manual](#)
[Product Image](#)

[Spare Parts List All Pages](#)
[Specifications](#)
[Wiring Diagram](#)

Related Items

[AOYG24KATA](#) 6.8kW Economy Outdoor Unit - R32 Single Phase
[AOYG24KBTB](#) 6.8kW Standard Outdoor Unit - R32 Single Phase
[UTYRNRYZ5](#) Touch Screen Remote Controller
[UTYFYSXZ1](#) Wireless LAN interface
[UTDLF25NA](#) Long Life Filter Kit
[UTDRF204](#) Flange (Round)
[UTZPX1NBA](#) Drain Pump Unit for ARXA024-045GLEH
[UTYRCRYZ1](#) Compact Simple Remote controller
[UTYRVNYM](#) LCD Wired Remote Controller
[UTYRHRY](#) Simple Remote Controller (without Master Control)
[UTYRSRY](#) Simple Remote Controller (with Master Control)
[UTYRSNYM](#) Simplified Wired Remote Controller
[UTYTERX](#) External switch controller
[FJRCWIFI1](#) IntesisHome Wireless LAN Adapter for Splits & VRF
[UTYLBITYM](#) Infra-Red Receiver Kit, Receiver Wire -9710358012
[UTYXSZX](#) Remote Sensor Unit (for All Duct type)
[UTYXWZXZG](#) External Connect Kit
[UTYVTGX](#) Splits Network Converter (DC Powered)
[UTYVTGXV](#) Splits Network Converter (AC Powered)

*Specifications and design are subject to change without notice for further improvement.
 *Actual products' colors may be different from the colors shown in this printed material.