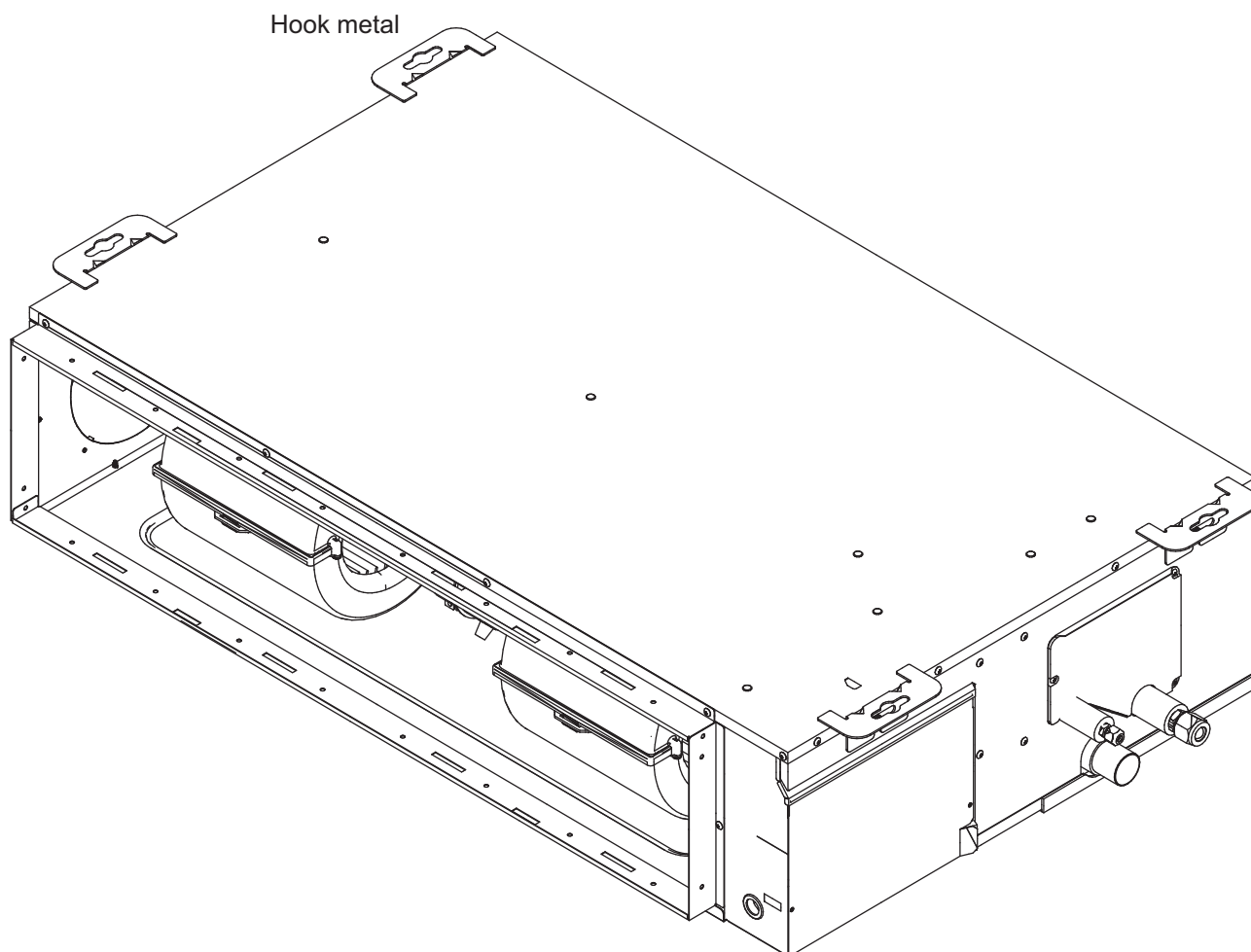


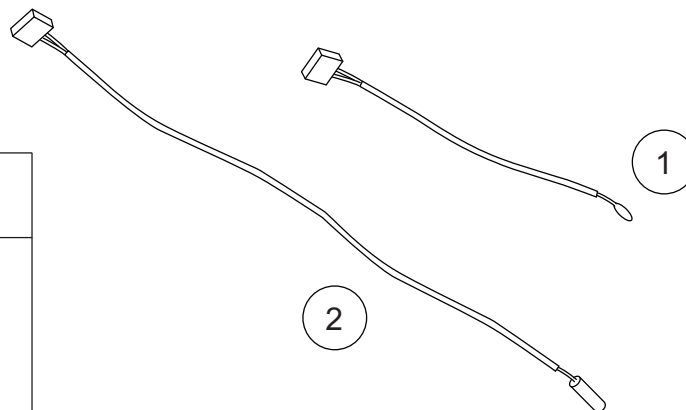
2. Indoor unit parts list

2-1. Models: ARXG24KMLA, ARXG30KMLA, ARXG36KMLA, and ARXG45KMLA

■ Thermistors



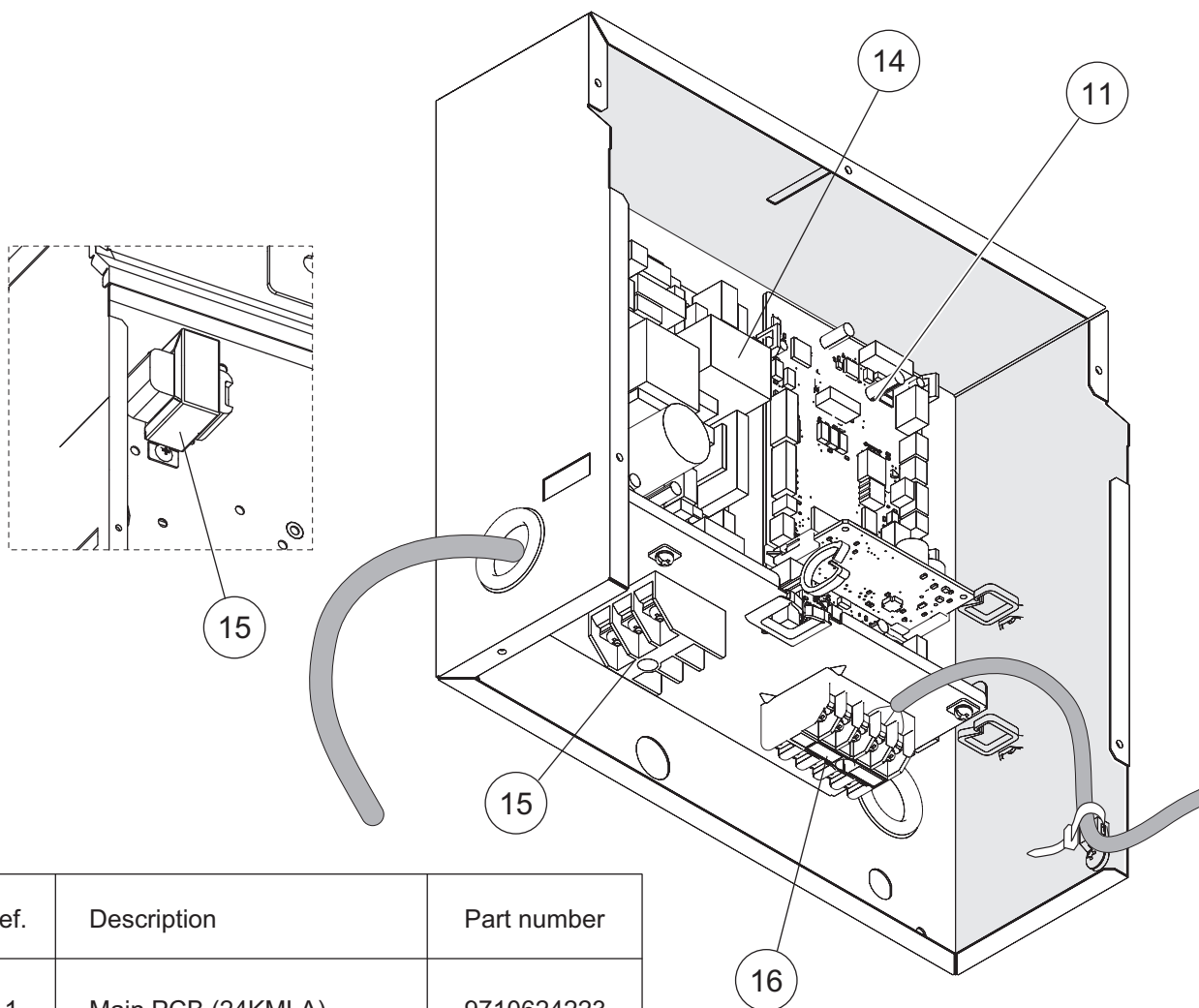
Ref.	Description	Part number
1	Room thermistor	9900826048
2	Pipe thermistor	9900942045



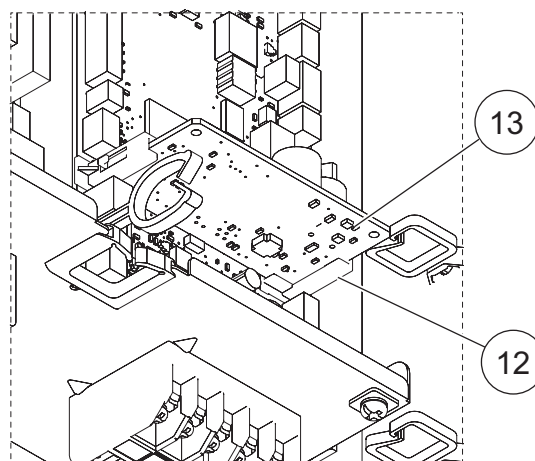
■ Main PC board

TECHNICAL DATA
AND PARTS LIST

TECHNICAL DATA
AND PARTS LIST



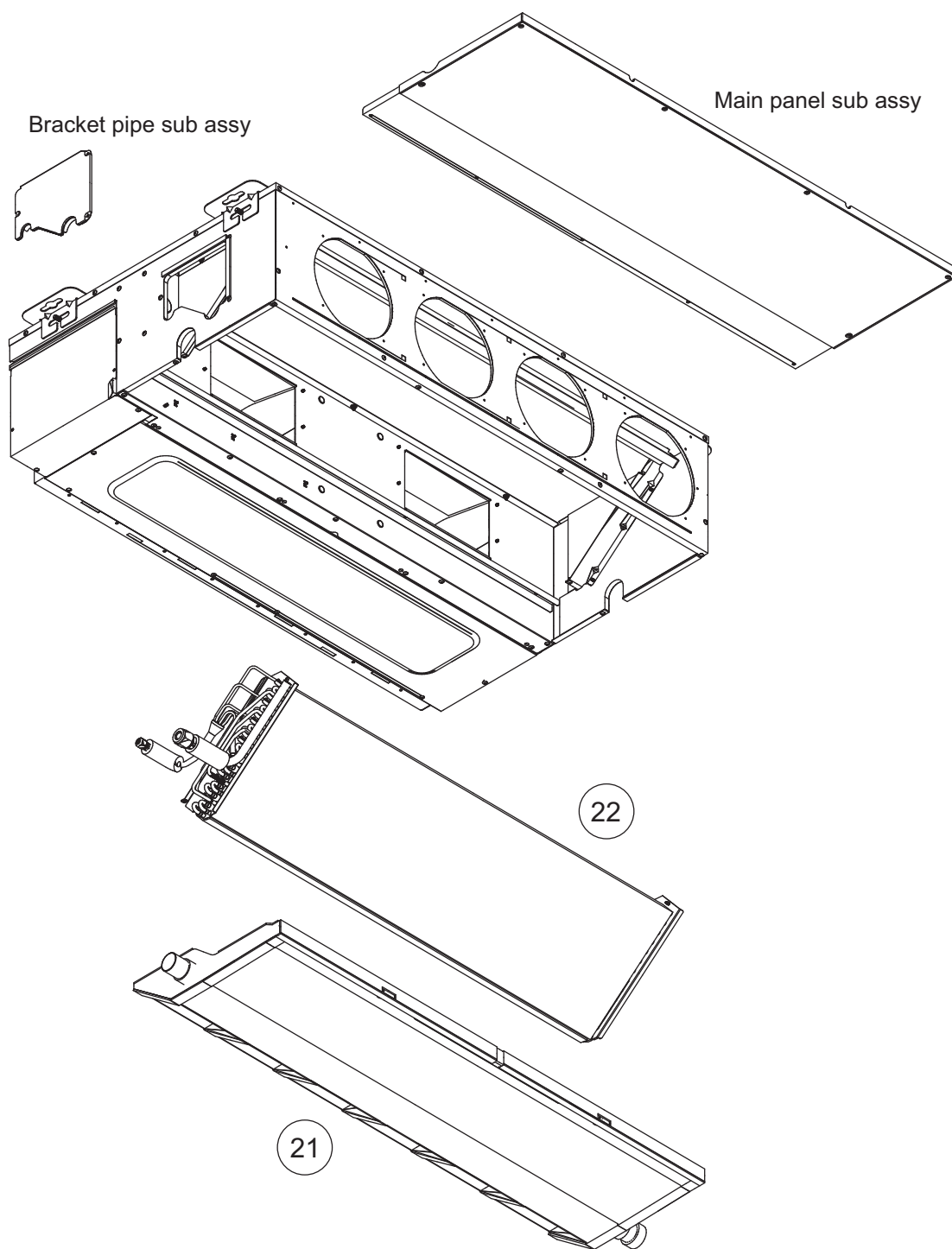
Ref.	Description	Part number
11	Main PCB (24KMLA)	9710624223
11	Main PCB (30KMLA)	9710624230
11	Main PCB (36KMLA)	9710624247
11	Main PCB (45KMLA)	9710624254
12	Holder	0600063023
13	Communication PCB	9710019005
14	Power supply PCB	9710661013
15	Terminal 3P	9306489045
16	Terminal 5P	9900896003
17	Reactor assy	9707457049



Evaporator

TECHNICAL DATA
AND PARTS LIST

TECHNICAL DATA
AND PARTS LIST

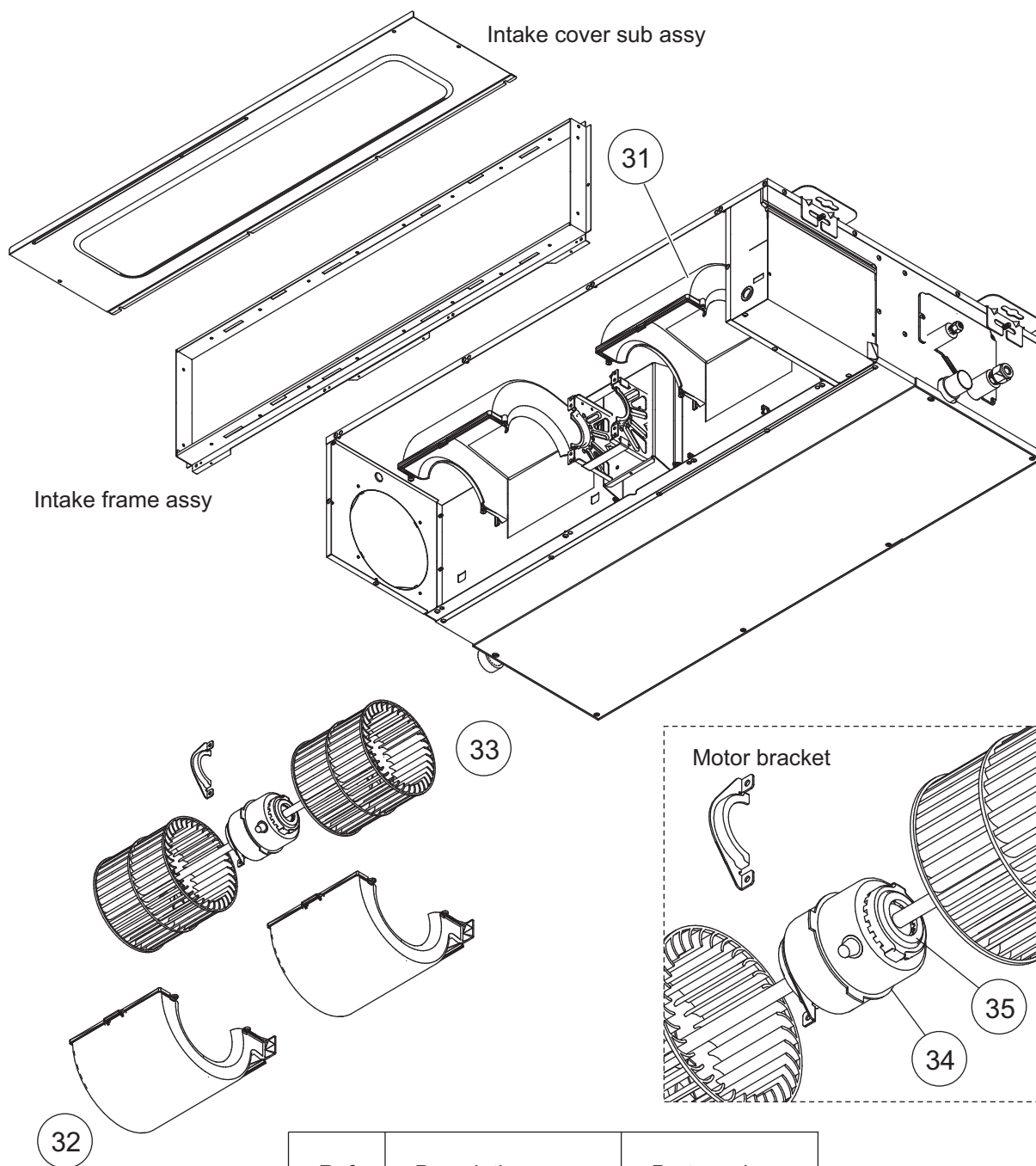


Ref.	Description	Part number
21	Drain pan sub assy	9374513017
22	Evaporator Total Assy (24KMLA)	9374517978
22	Evaporator Total Assy (30, 36KMLA)	9383816048
22	Evaporator Total Assy (45KMLA)	9383816031

■ Casing and fan (for 24 model)

TECHNICAL DATA
AND PARTS LIST

TECHNICAL DATA
AND PARTS LIST

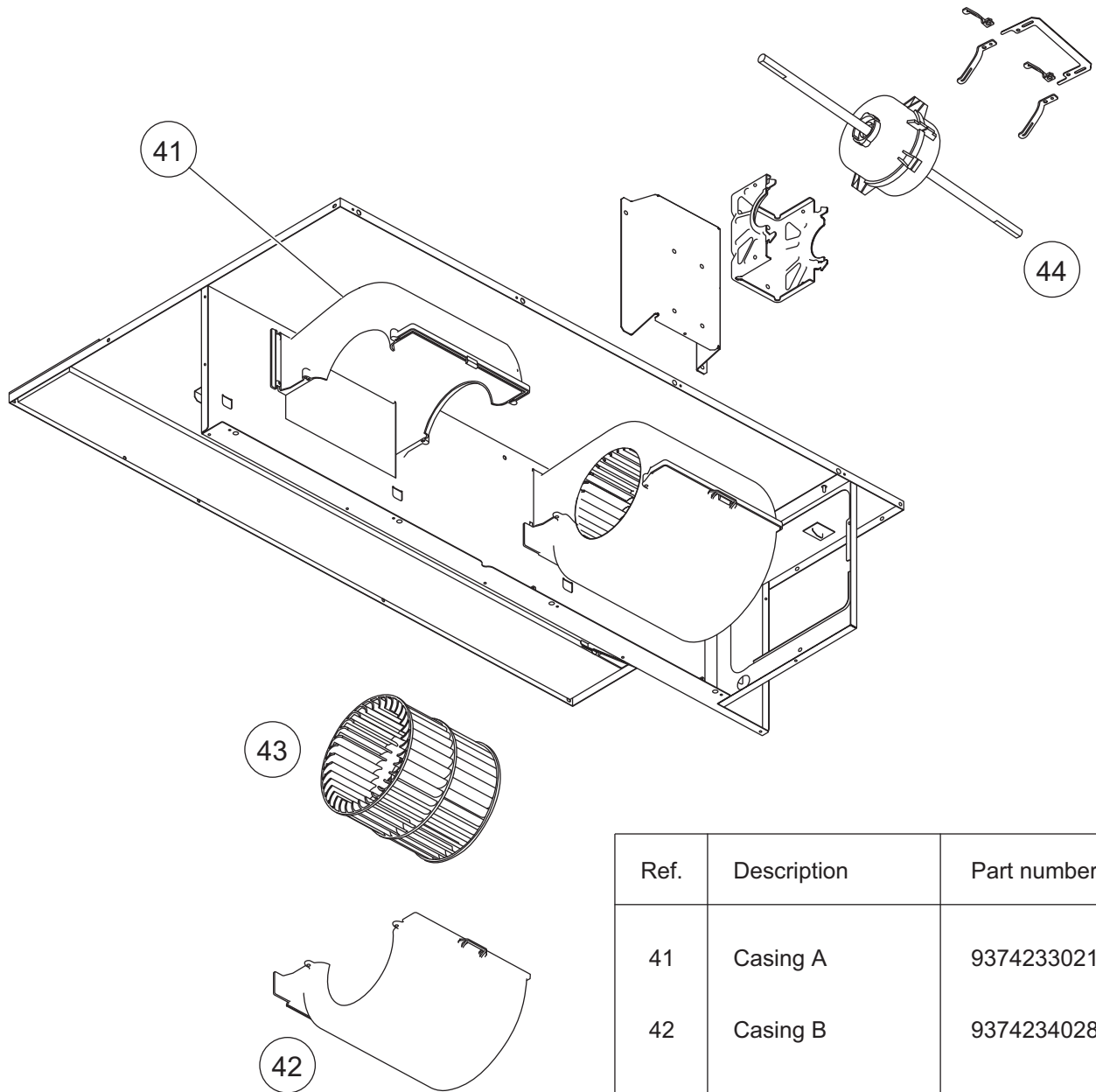


Ref.	Description	Part number
31	Casing A	9374233021
32	Casing B	9374234028
33	Sirocco fan assy	9356531060
34	Fan motor assy	9380718031
35	Rubber	9385102002

■ Casing and fan (for 30, 36, and 45 models)

TECHNICAL DATA
AND PARTS LIST

TECHNICAL DATA
AND PARTS LIST



Ref.	Description	Part number
41	Casing A	9374233021
42	Casing B	9374234028
43	Sirocco Fan Assy	9356531046
44	Fan Motor	9603213015