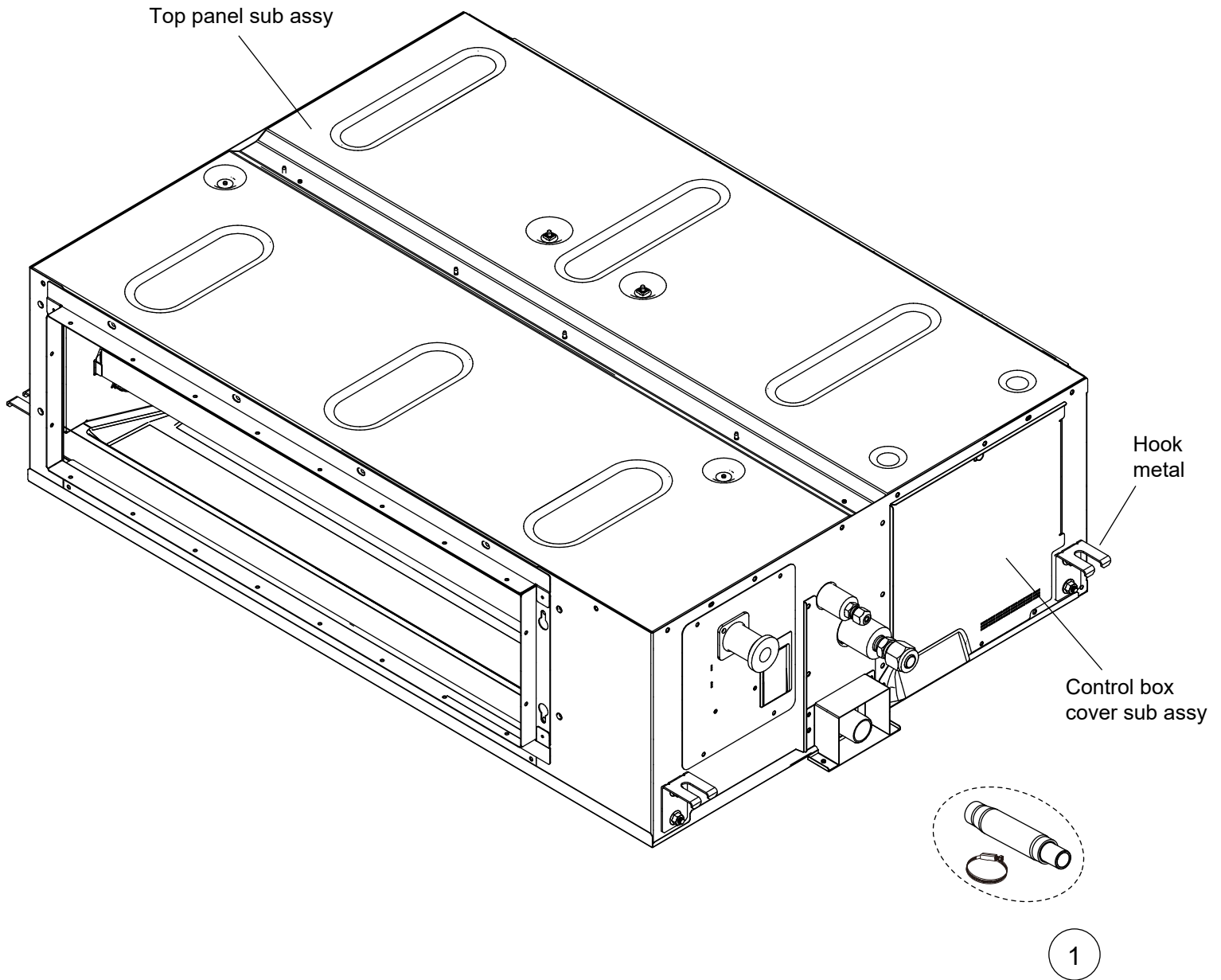
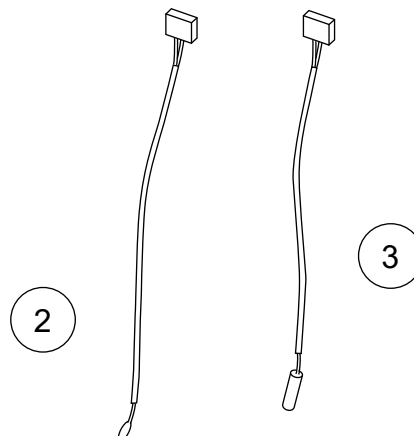


# Parts

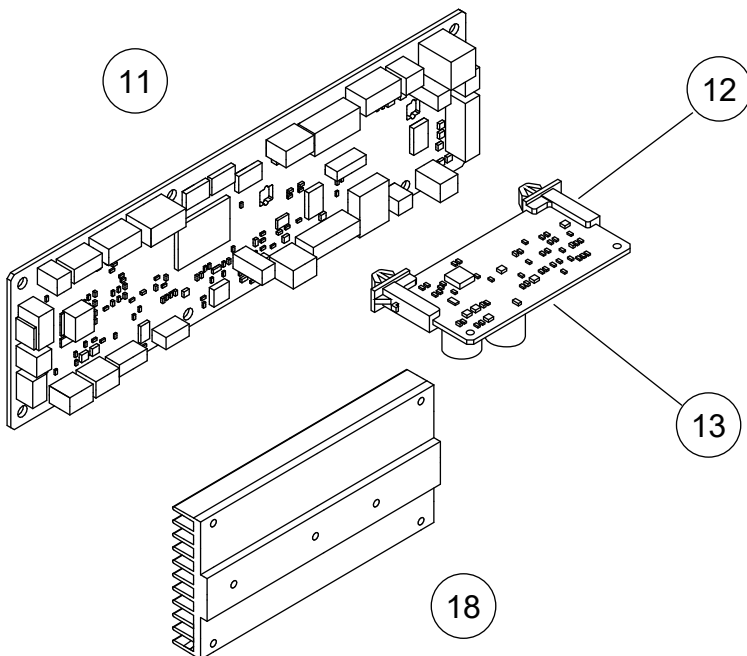
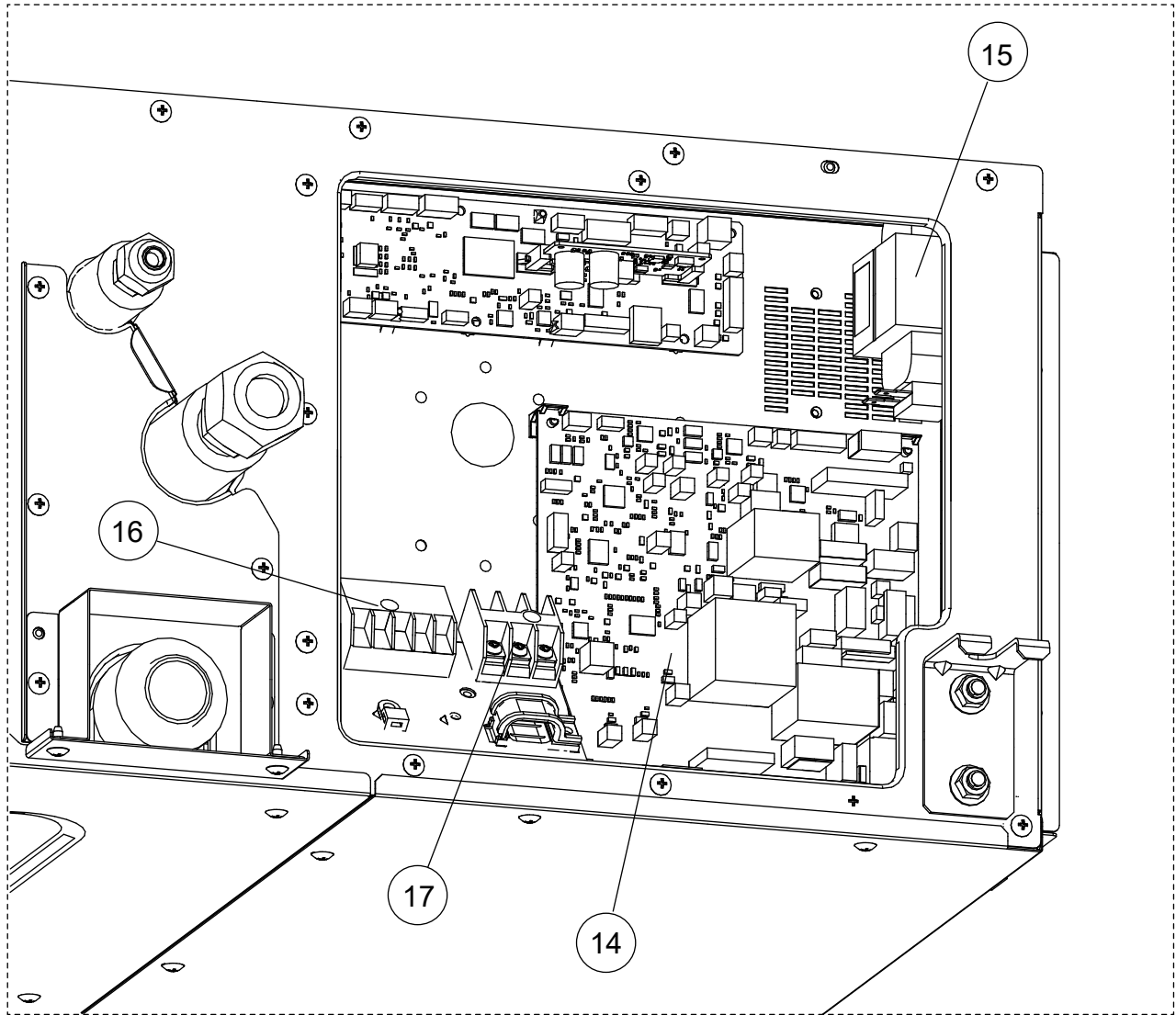
INDOOR UNIT  
ARXG24KHTAP  
ARXG30KHTAP



| Ref. | Description     | Part number |
|------|-----------------|-------------|
| 1    | Hose sub assy   | 9378450196  |
| 2    | Room thermistor | 9703299278  |
| 3    | Pipe thermistor | 9900892005  |

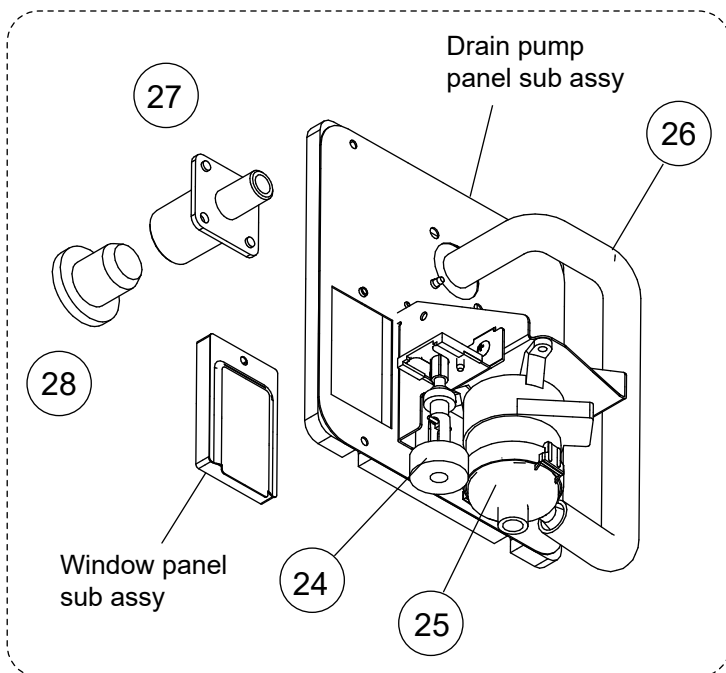
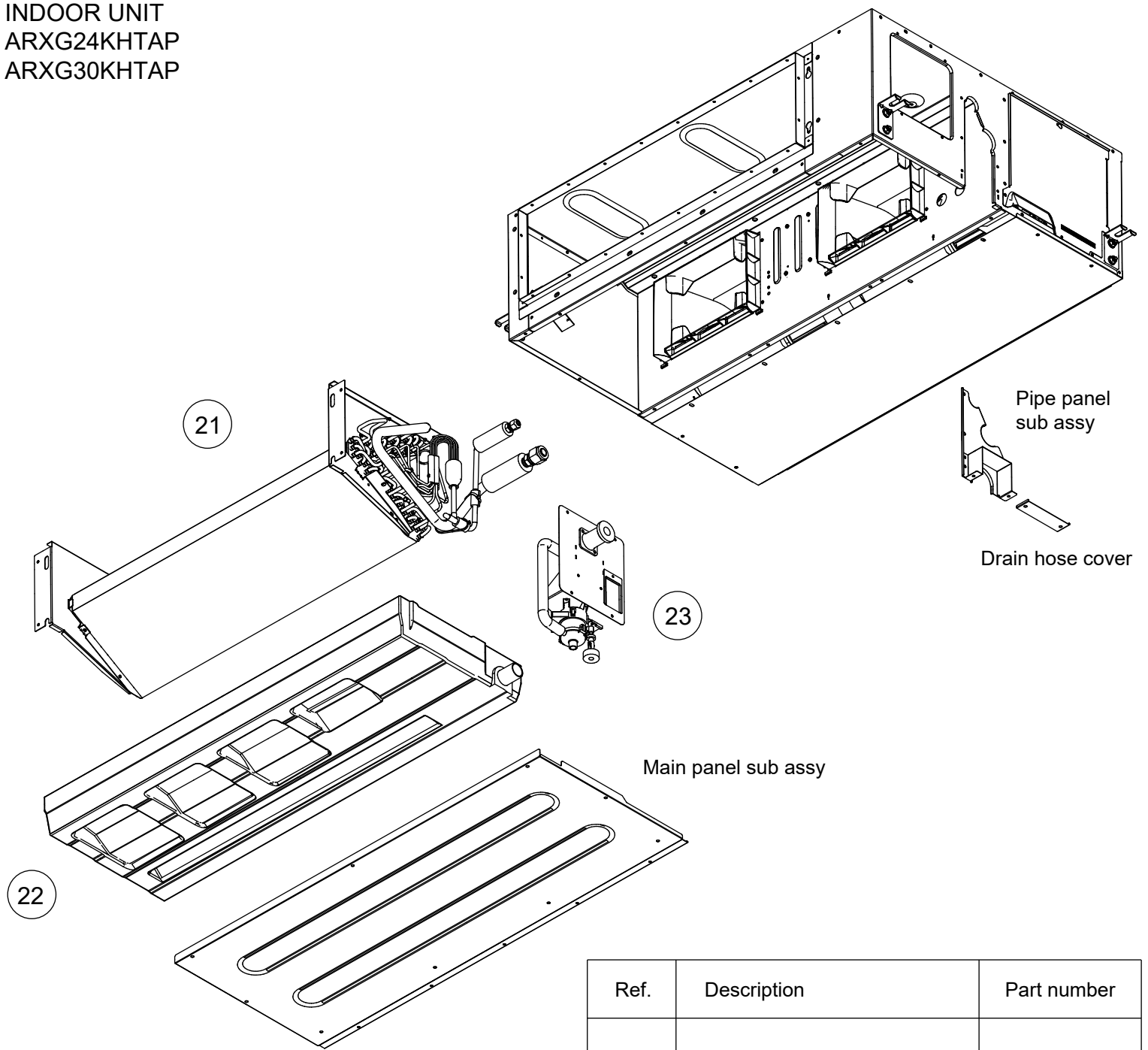


INDOOR UNIT  
ARXG24KHTAP  
ARXG30KHTAP



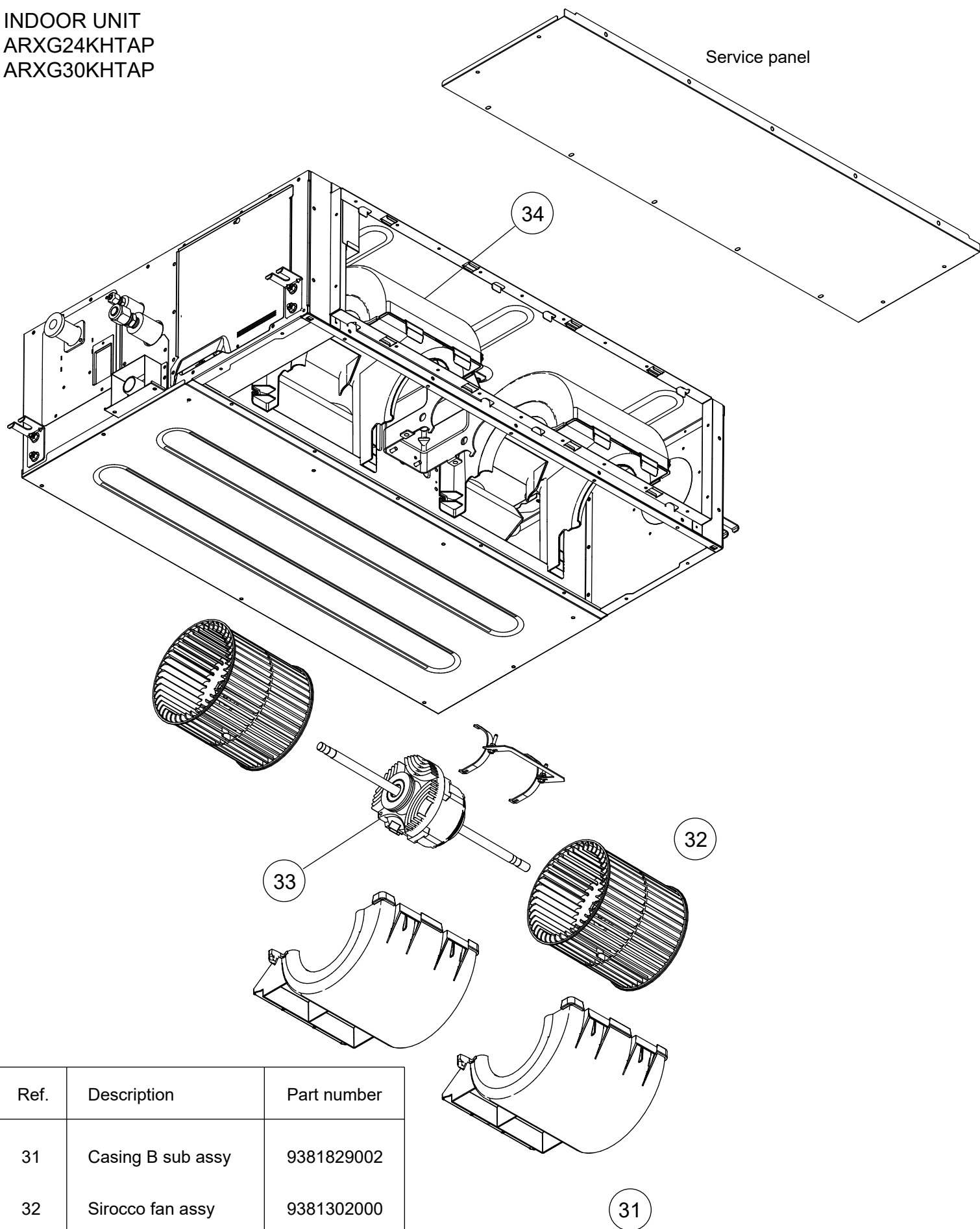
| Ref. | Description           | Part number |
|------|-----------------------|-------------|
| 11   | Main PCB (24KHTAP)    | 9710995927  |
| 11   | Main PCB (30KHTAP)    | 9710995934  |
| 12   | Holder                | 0600063023  |
| 13   | Communication PCB     | 9710019005  |
| 14   | Power Supply PCB (24) | 9710032011  |
| 14   | Power Supply PCB (30) | 9710261008  |
| 15   | Reactor Assy          | 9900898014  |
| 16   | Terminal (Remote)     | 9900896003  |
| 17   | Terminal (Power)      | 9900568009  |
| 18   | Heatsink (30KHTAP)    | 9381518005  |

INDOOR UNIT  
ARXG24KHTAP  
ARXG30KHTAP



| Ref. | Description                | Part number |
|------|----------------------------|-------------|
| 21   | Evaporator Total Assy (24) | 9383816062  |
| 21   | Evaporator Total Assy (30) | 9383816055  |
| 22   | Drain Pan Sub Assy         | 9381752027  |
| 23   | Drain Pump Sub Assy        | 9381766017  |
| 24   | Float Switch               | 9900465070  |
| 25   | Pump Assy                  | 9900890018  |
| 26   | Drain Hose                 | 9381576005  |
| 27   | Drain Port                 | 9381565009  |
| 28   | Drain Cap                  | 9381578009  |

INDOOR UNIT  
ARXG24KHTAP  
ARXG30KHTAP



| Ref. | Description         | Part number |
|------|---------------------|-------------|
| 31   | Casing B sub assy   | 9381829002  |
| 32   | Sirocco fan assy    | 9381302000  |
| 33   | Fan motor (24KHTAP) | 9603479015  |
| 33   | Fan motor (30KHTAP) | 9603481018  |
| 34   | Casing A            | 9381587001  |

INDOOR UNIT  
ARXG24KHTAP  
ARXG30KHTAP

