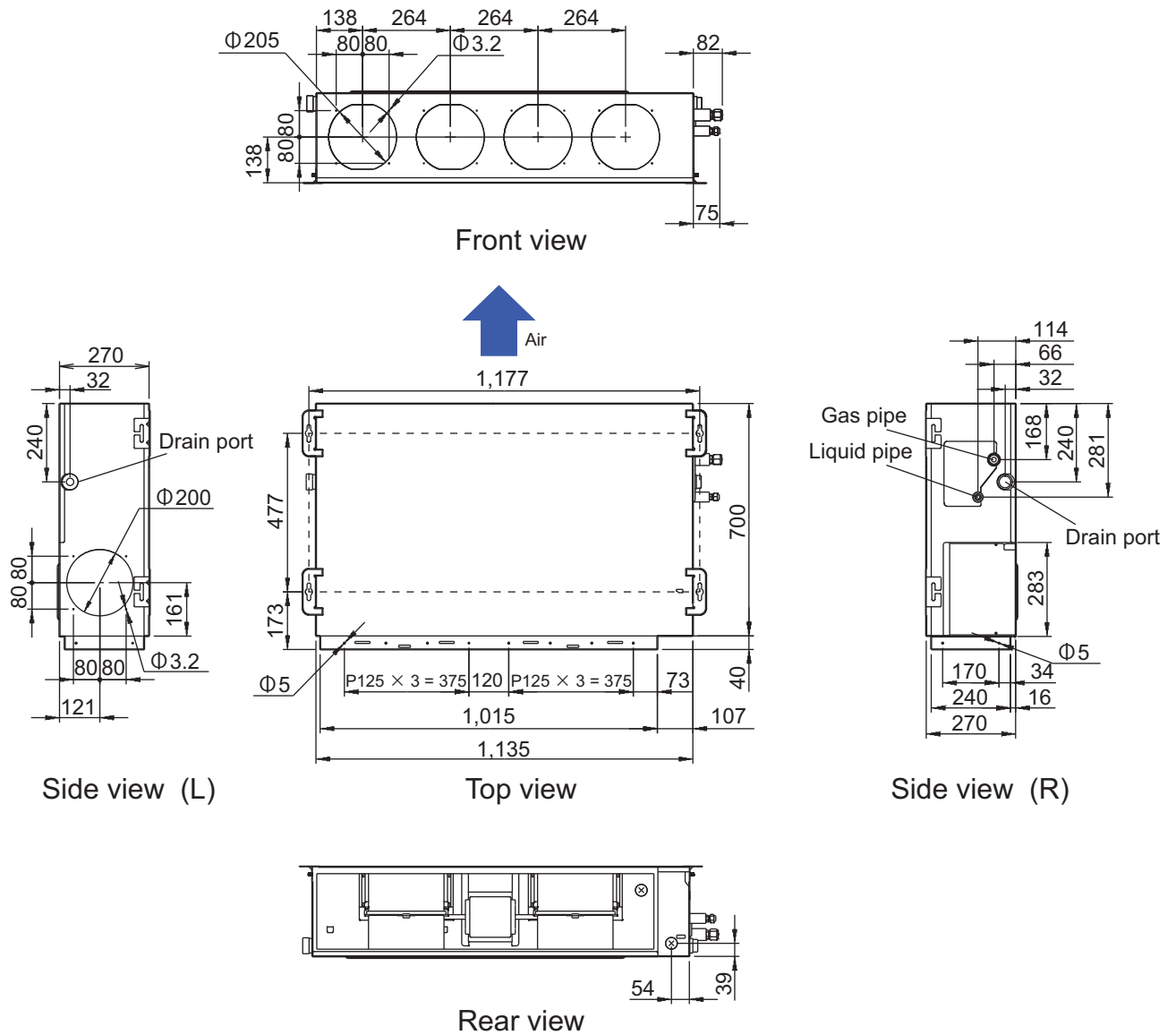


2. Dimensions

2-1. Models: ARXG24KMLA, ARXG30KMLA, ARXG36KMLA, and ARXG45KMLA

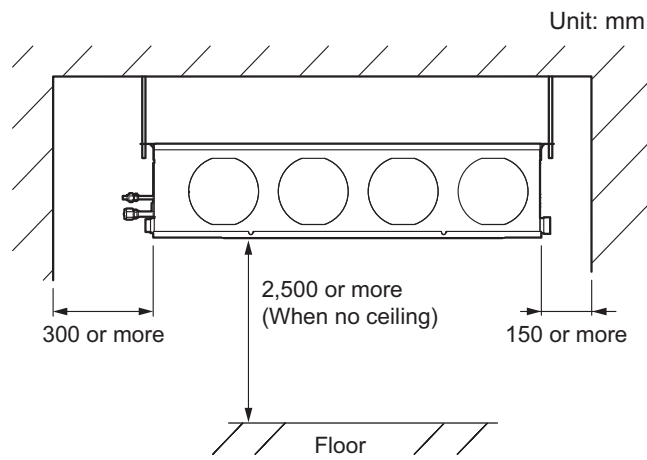
Unit: mm



2-2. Installation space requirement

Provide sufficient installation space for product safety.

■ Models: ARXG24KMLA, ARXG30KMLA, ARXG36KMLA, and ARXG45KMLA



2-3. Maintenance space requirement

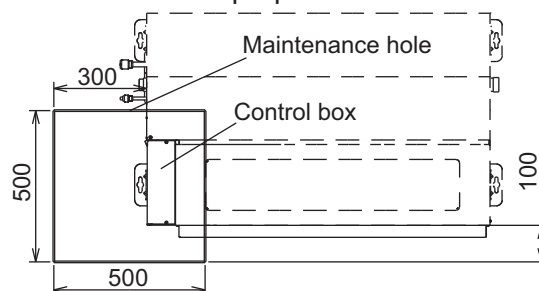
For future maintenance and service access, provide sufficient maintenance space.

NOTE: Do not place any wiring or illumination in the maintenance space, as they will impede service.

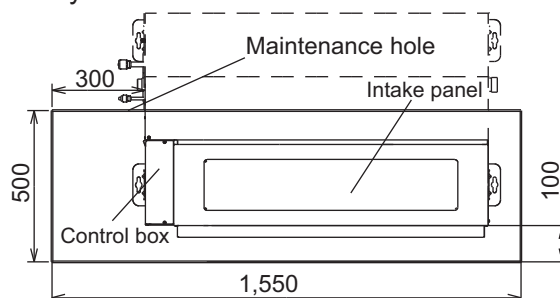
■ Models: ARXG24KMLA, ARXG30KMLA, ARXG36KMLA, and ARXG45KMLA

Unit: mm

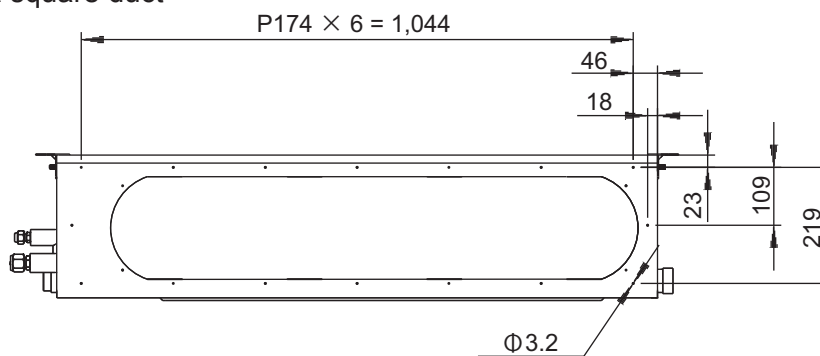
- Provide a service access for maintenance purposes.



- The service access necessary for fan units and filter maintenance.



- When using a square duct



- Bottom air intake hole

