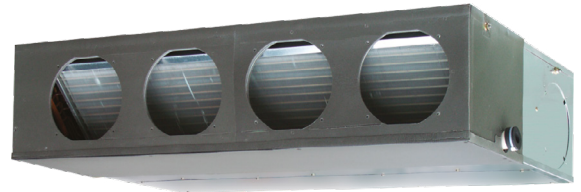


ARXG30KMLA

Please visit our webstore for full product and technical documentation 

| | |
|---|----------------------|
| Unit Type | Medium Static Ducted |
| Remote Controller | Option |
| Nominal Cooling Capacity (kW) | 8.5 |
| Nominal Heating Capacity (kW) | 10.0 |
| Height (mm) | 270 |
| Width (mm) | 1135 |
| Depth (mm) | 700 |
| Weight (kg) | 38 |
| Filter | UTDLF25NA / UTRDF204 |
| Standard Static Pressure (Pa) | 47 |
| Static Pressure Ranget (Pa) | 30 to 150 |
| Airflow Rate - Cooling - High (m3/h) | 1900 |
| Airflow Rate - Heating - High (m3/h) | 2100 |
| Sound Pressure Level - Cooling - High (dB(A)) | 39 |
| Sound Pressure Level - Cooling - Low (dB(A)) | 26 |
| Sound Pressure Level - Heating - High (dB(A)) | 42 |
| Sound Pressure Level - Heating - Low (dB(A)) | 26 |
| Sound Power Level - Cooling - High (dB(A)) | 65 |
| Sound Power Level - Heating - High (dB(A)) | 69 |
| Moisture Removal (l/h) | 2.5 |
| Refrigerant Type (Global Warming Potential) | R32 (675) |
| Liquid Pipe Size | 3/8" |
| Gas Pipe Size | 5/8" |
| Unit Power Supply | From Outdoor Unit |



Document Downloads

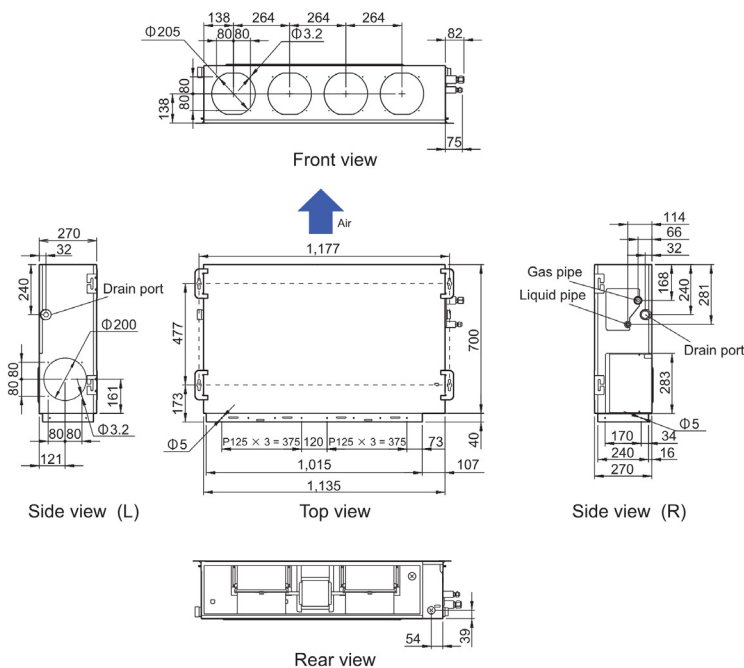
- [Airflow - Fan Curve](#)
- [Controls & Accessories](#)
- [Dimensional Drawing](#)
- [Function Settings](#)
- [Inputs & Outputs](#)
- [Installation Manual](#)
- [Noise Curve](#)
- [Operation Manual](#)
- [Product Image](#)

- [Spare Parts List All Pages](#)
- [Specifications](#)
- [Wiring Diagram](#)

Related Items

- [AOYG30KATA](#) 8.5kW Economy Outdoor Unit - R32 Single Phase
- [AOYG30KBTB](#) 8.5kW Standard Outdoor Unit - R32 Single Phase
- [UTYRNRYZ5](#) Touch Screen Remote Controller
- [UTYFYSXZ1](#) Wireless LAN interface
- [UTDLF25NA](#) Long Life Filter Kit
- [UTDRF204](#) Flange (Round)
- [UTZPX1NBA](#) Drain Pump Unit for ARXA024-045GLEH
- [UTYRCRYZ1](#) Compact Simple Remote controller
- [UTYRVNYM](#) LCD Wired Remote Controller
- [UTYRHRY](#) Simple Remote Controller (without Master Control)
- [UTYRSRY](#) Simple Remote Controller (with Master Control)
- [UTYRSNYM](#) Simplified Wired Remote Controller
- [UTYTERX](#) External switch controller
- [FJRCWIFI1](#) IntesisHome Wireless LAN Adapter for Splits & VRF
- [UTYLBTYM](#) Infra-Red Receiver Kit, Receiver Wire -9710358012
- [UTYXSZX](#) Remote Sensor Unit (for All Duct type)
- [UTYXWZXZG](#) External Connect Kit
- [UTYVTGX](#) Splits Network Converter (DC Powered)
- [UTYVTGXV](#) Splits Network Converter (AC Powered)

Unit: mm



*Specifications and design are subject to change without notice for further improvement.
 *Actual products' colors may be different from the colors shown in this printed material.

Distributed by :

FUJITSU GENERAL AIR CONDITIONING (UK) LIMITED
 Unit 150, Centennial Park, Centennial Avenue, Elstree, Borehamwood, Herts, WD6 3SG

www.fujitsu-general.com/uk

sales@fgac.fujitsu-general.com

Tel: +44 (0) 208 731 3450 Fax: +44 (0) 208 731 3451