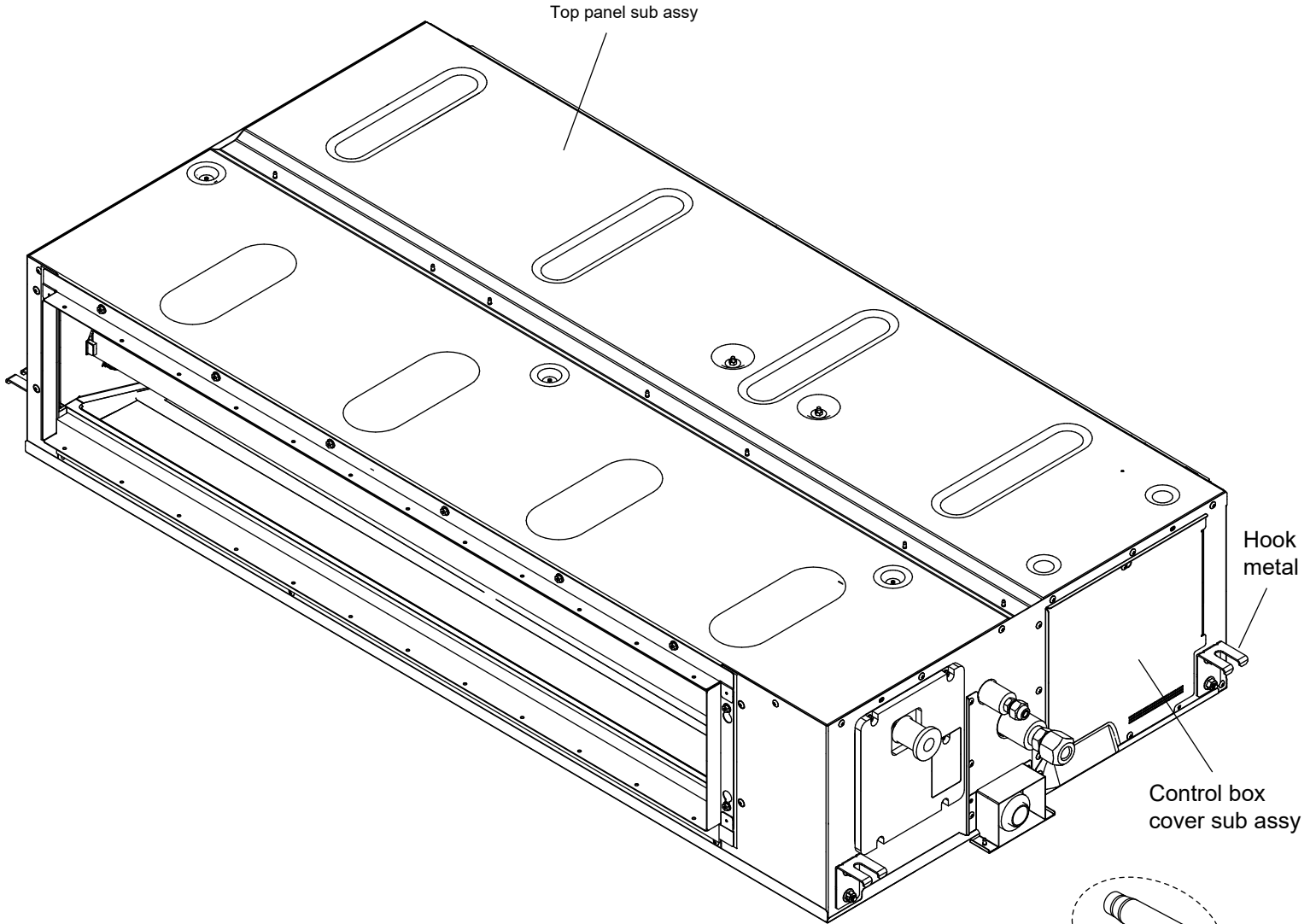
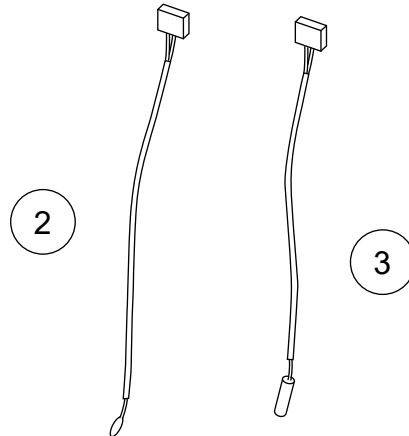
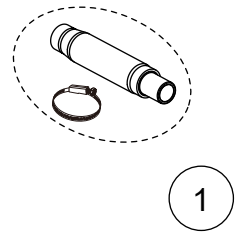


PARTS

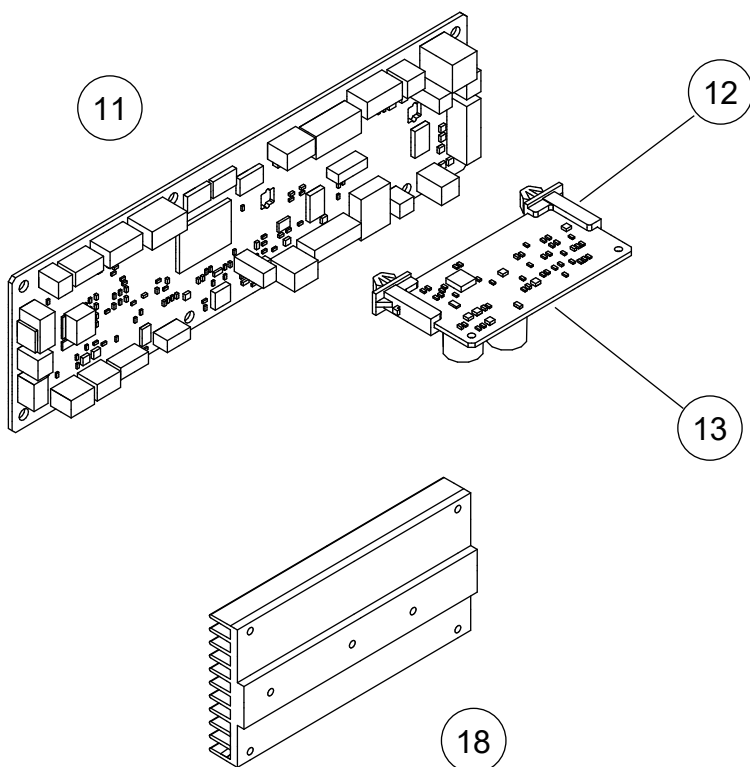
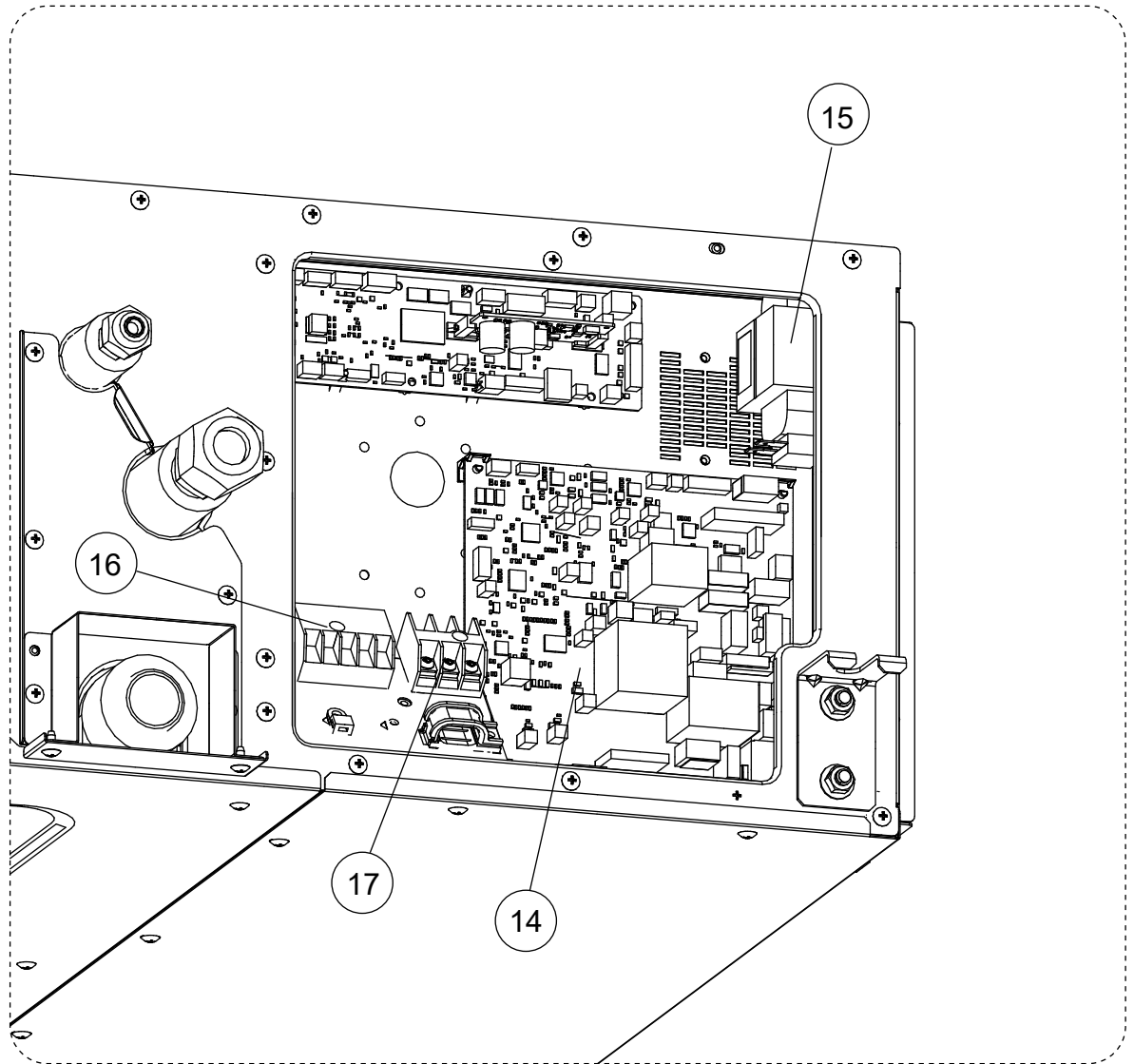
INDOOR UNIT
 ARXG36KHTAP
 ARXG45KHTAP
 ARXG54KHTAP



Ref.	Description	Part number
1	Hose sub assy	9378450196
2	Room thermistor	9703299278
3	Pipe thermistor	9900892005

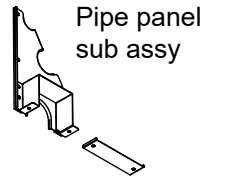
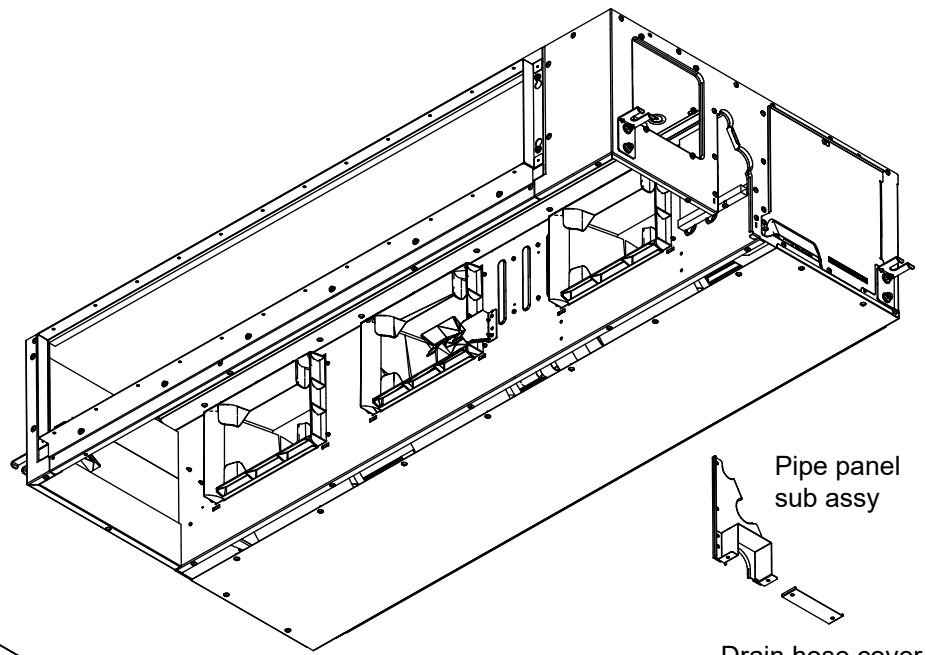


INDOOR UNIT
 ARXG36KHTAP
 ARXG45KHTAP
 ARXG54KHTAP

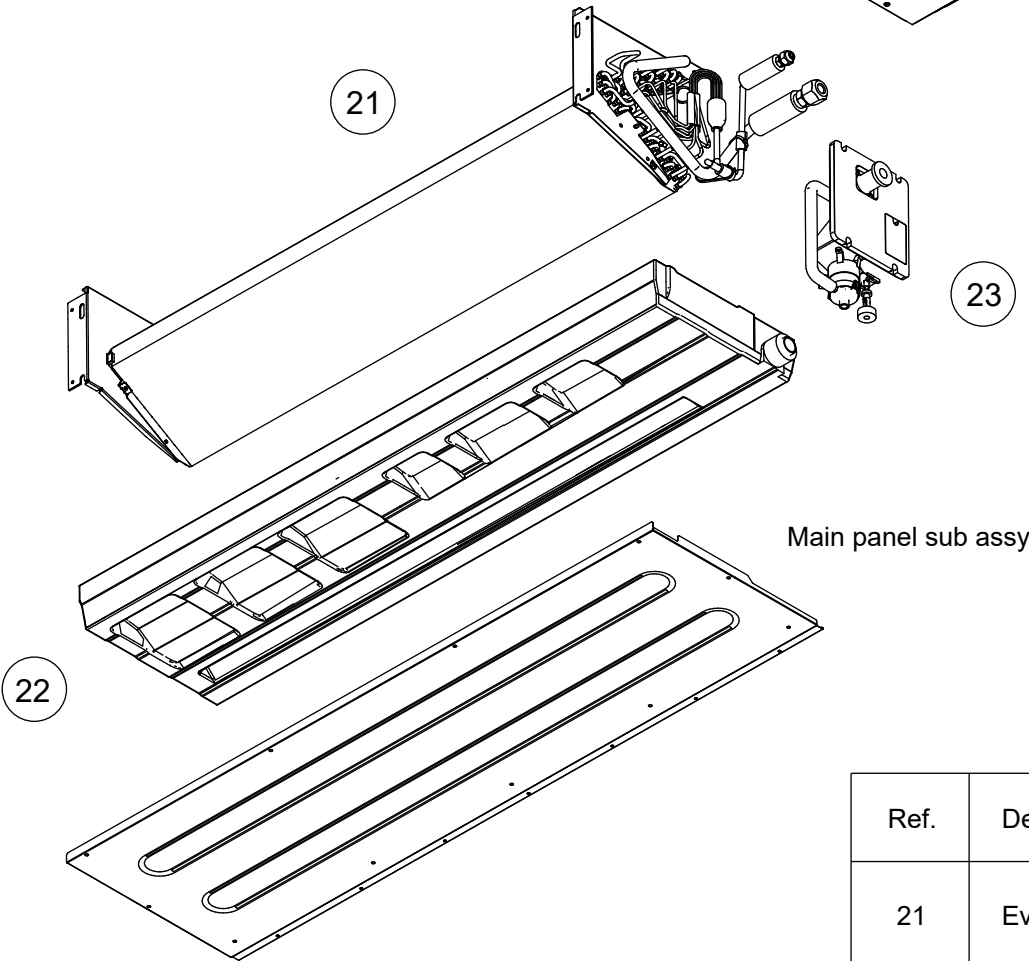


Ref.	Description	Part number
11	Main PCB (36KHTAP)	9710995941
11	Main PCB (45KHTAP)	9710995958
11	Main PCB (54KHTAP)	9710995729
12	Holder	0600063023
13	Communication PCB	9710019005
14	Power Supply PCB	9710261008
15	Reactor Assy	9900898014
16	Terminal (Remote)	9900896003
17	Terminal (Power)	9900568009
18	Heatsink	9381518005

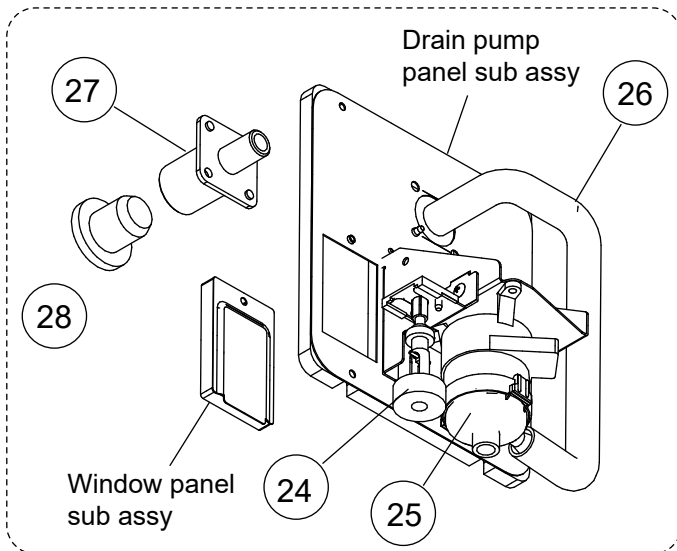
INDOOR UNIT
 ARXG36KHTAP
 ARXG45KHTAP
 ARXG54KHTAP



Drain hose cover

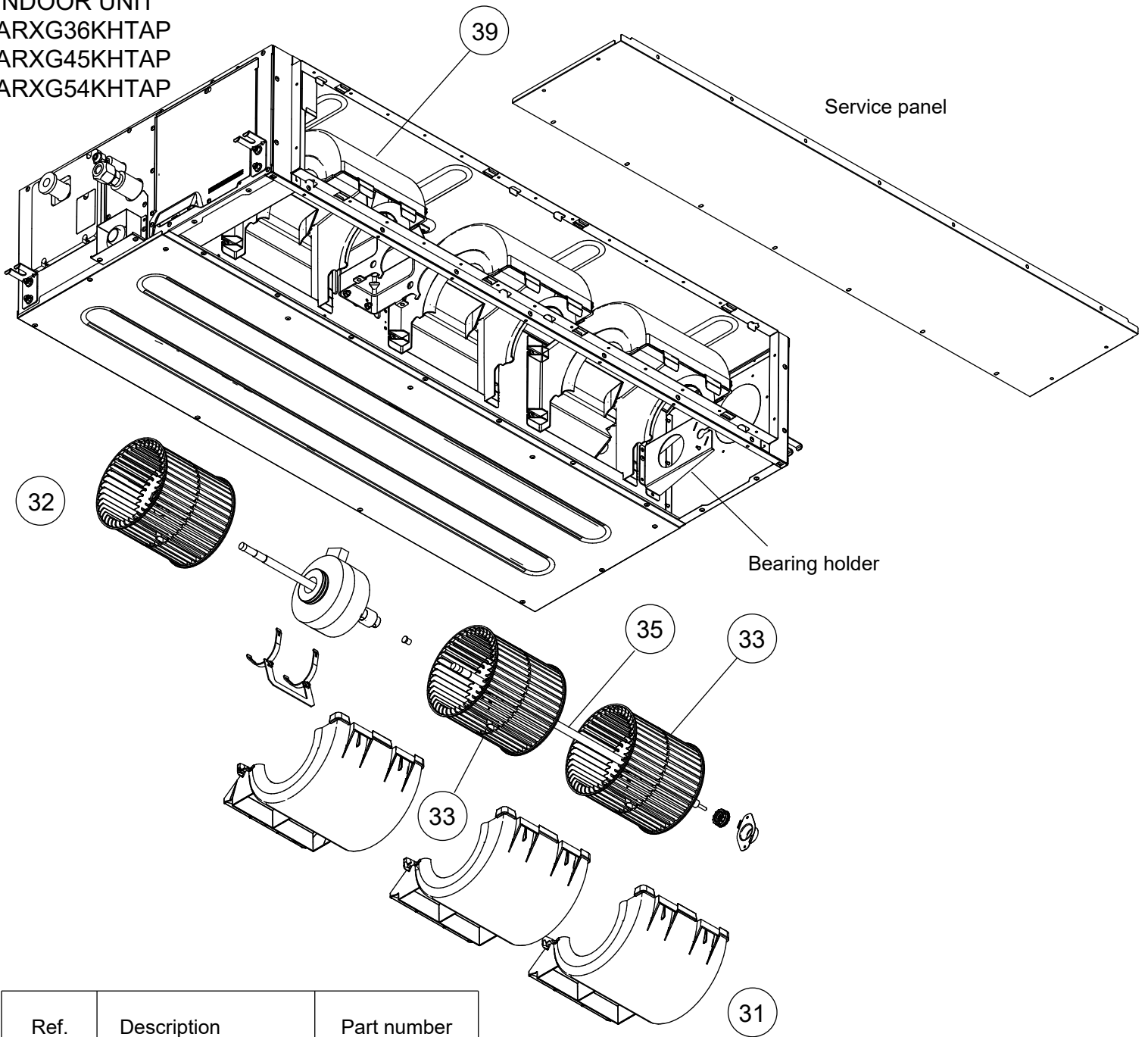


Main panel sub assy

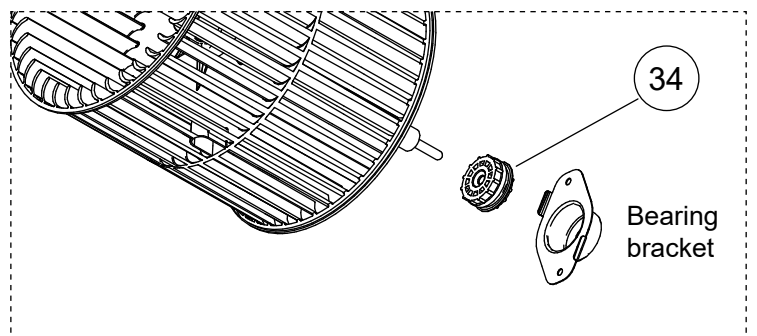
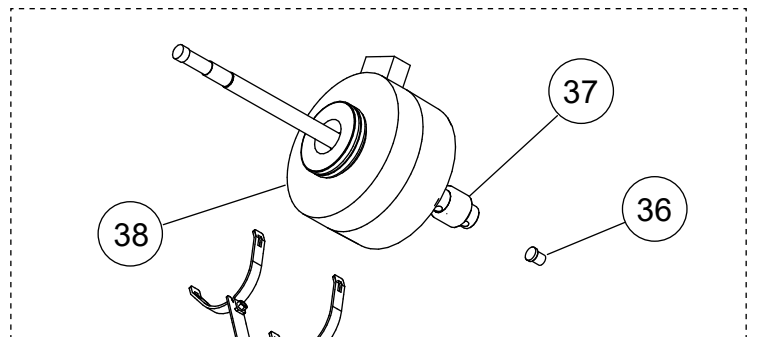


Ref.	Description	Part number
21	Evaporator total assy	9379349000
22	Drain Pan Sub Assy	9381752003
23	Drain Pump Sub Assy	9381766017
24	Float Switch	9900465070
25	Pump Assy	9900890018
26	Drain Hose	9381576005
27	Drain Port	9381565009
28	Drain Cap	9381578009

INDOOR UNIT
 ARXG36KHTAP
 ARXG45KHTAP
 ARXG54KHTAP



Ref.	Description	Part number
31	Casing B Sub Assy	9381829002
32	Sirocco Fan Assy	9381302000
33	Sirocco Fan Assy	9381302017
34	Bearing B Assy	9357921006
35	Shaft Assy	9381052028
36	Shaft Cap	9381814015
37	Joint Assy	9378038035
38	Fan motor	9603480011
39	Casing A	9381587001



INDOOR UNIT
ARXG36KHTAP
ARXG45KHTAP
ARXG54KHTAP

