

ARXG45KHTA

Please visit our [webstore](#) for full product and technical documentation

Unit Type	High Static Ducted	
Remote Controller	Option	
Nominal Cooling Capacity (kW)	12.1	
Nominal Heating Capacity (kW)	13.5	
Height (mm)	400	
Width (mm)	1050	
Depth (mm)	500	
Weight (kg)	46	
Filter	UTDLF60KA	
Standard Static Pressure (Pa)	100	
Static Pressure Ranget (Pa)	100 to 250	
Airflow Rate - Cooling - High (m3/h)	3350	
Airflow Rate - Heating - High (m3/h)	3350	
Sound Pressure Level - Cooling - High (dB(A))	47	
Sound Pressure Level - Cooling - Low (dB(A))	40	
Sound Pressure Level - Heating - High (dB(A))	47	
Sound Pressure Level - Heating - Low (dB(A))	40	
Sound Power Level - Cooling - High (dB(A))	75	
Sound Power Level - Heating - High (dB(A))	74	
Moisture Removal (l/h)	1.5	
Refrigerant Type (Global Warming Potential)	R32 (675)	
Liquid Pipe Size	3/8"	
Gas Pipe Size	5/8"	
Unit Power Supply	From Outdoor Unit	



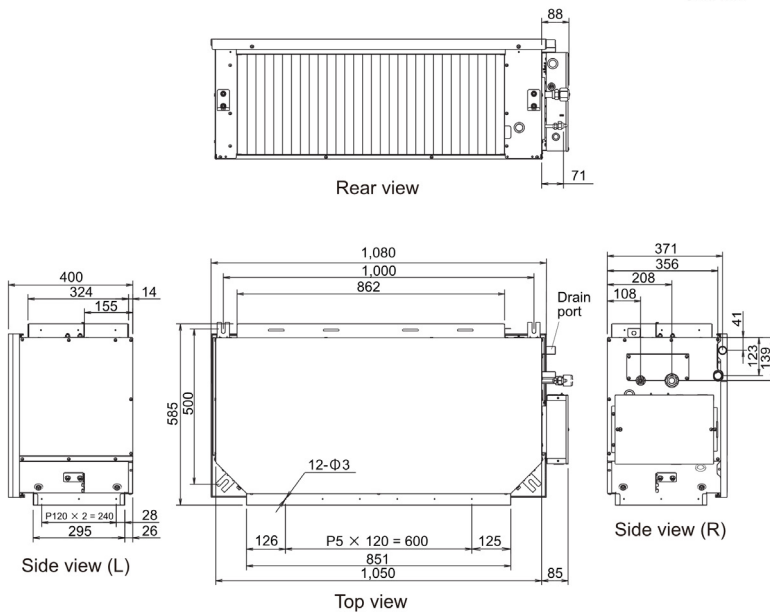
Document Downloads

- [Airflow - Fan Curve](#)
- [Controls & Accessories](#)
- [Dimensional Drawing](#)
- [Function Settings](#)
- [Inputs & Outputs](#)
- [Installation Manual](#)
- [Noise Curve](#)
- [Operation Manual](#)
- [Product Image](#)
- [Spare Parts List All Pages](#)
- [Specifications](#)
- [Wiring Diagram](#)

Related Items

- [AOYG45KBTB](#) 12.1kW Standard Outdoor Unit - R32 Single Phase
- [AOYG45KRTA](#) 12.1kW Standard Outdoor Unit - R32 Three Phase
- [UTYRVNYM](#) LCD Wired Remote Controller
- [UTYTFNXZ1](#) Wireless LAN interface
- [UTDLF60KA](#) Long Life Filter Kit
- [UTYRSNYM](#) Simplified Wired Remote Controller
- [FJRCWIFI1](#) IntesisHome Wireless LAN Adapter for Splits & VRF
- [UTDECSSA](#) External Control Set
- [UTYXSZX](#) Remote Sensor Unit (for All Duct type)
- [UTYTERX](#) External switch controller
- [UTYVTGX](#) Splits Network Converter (DC Powered)
- [UTYVTGXV](#) Splits Network Converter (AC Powered)

Unit: mm



*Specifications and design are subject to change without notice for further improvement.
 *Actual products' colors may be different from the colors shown in this printed material.