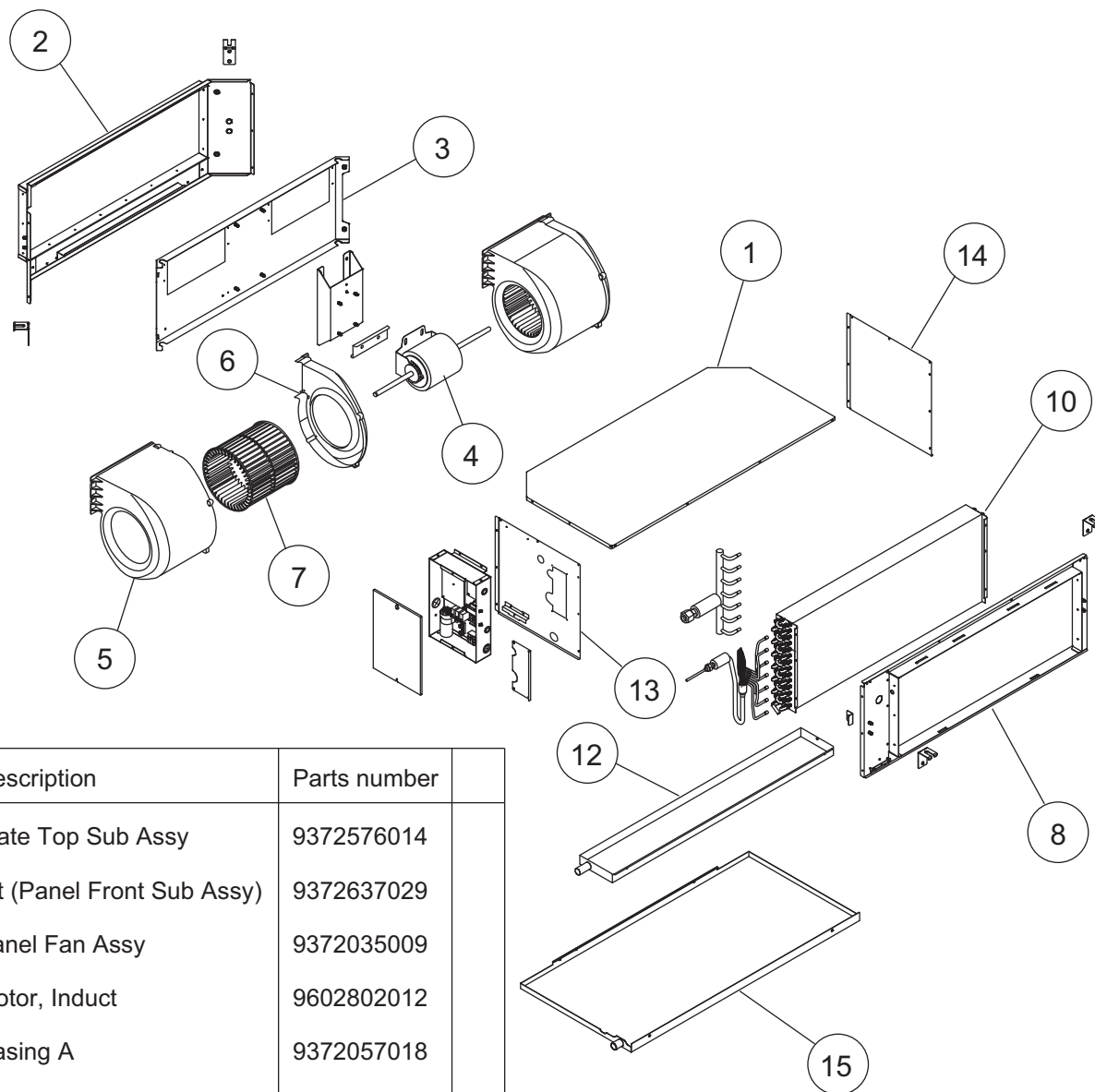


## 2. Indoor unit parts list

### 2-1. Models: ARXG45KHTA and ARXG54KHTA

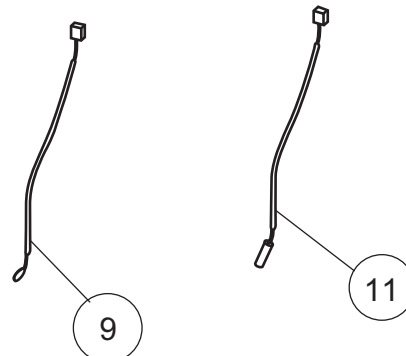
#### ■ Casing and fan



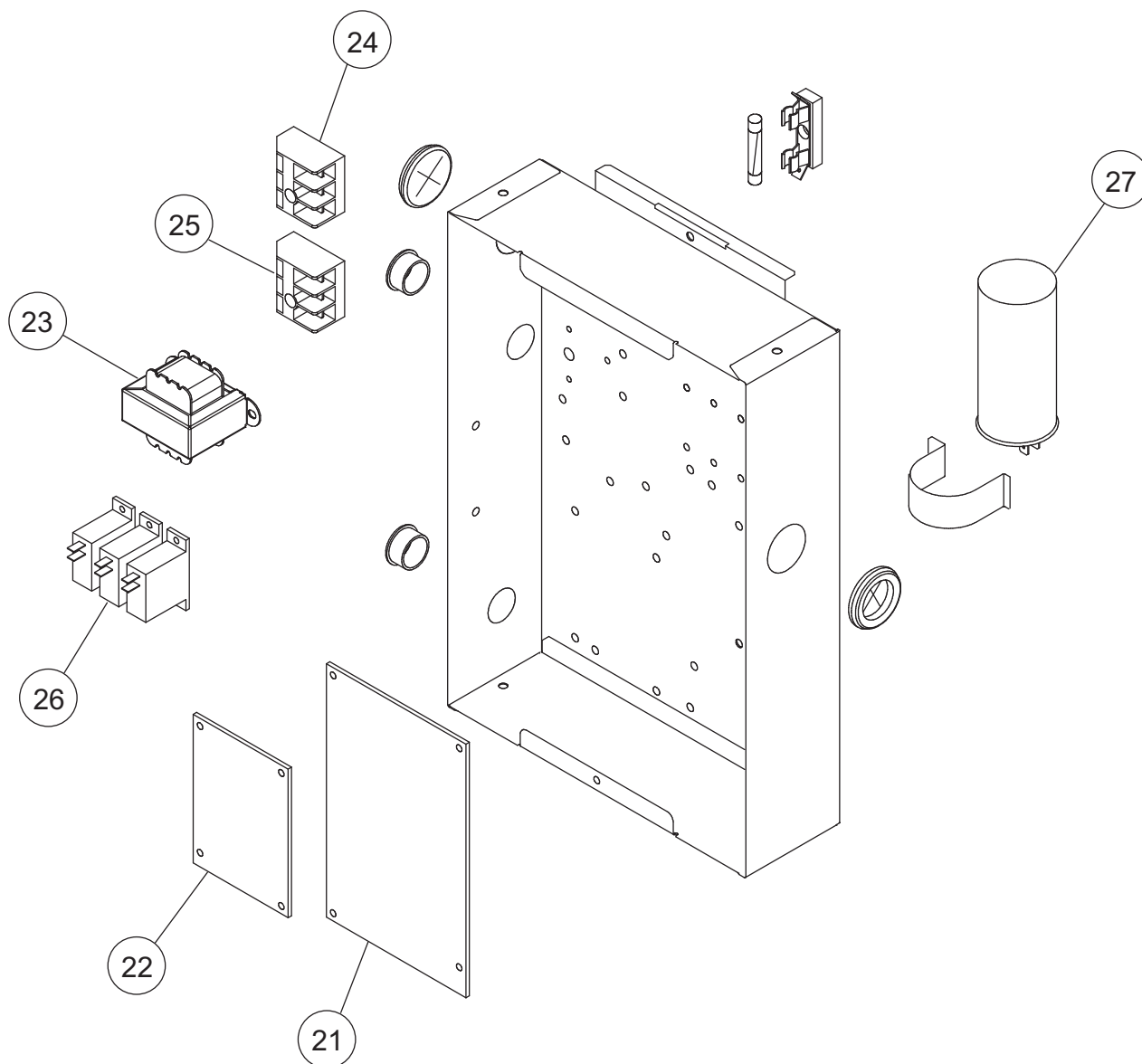
Ref.	Description	Parts number
1	Plate Top Sub Assy	9372576014
2	Kit (Panel Front Sub Assy)	9372637029
3	Panel Fan Assy	9372035009
4	Motor, Induct	9602802012
5	Casing A	9372057018
6	Casing B	9372058015
7	Sirocco Fan	9372059029
8	Kit (Panel Rear Sub Assy)	9372636022
9	Room Thermistor	9703299216
10	Evaporator Sub Assy	9372584248
11	Pipe Thermistor	9900814069
12	Drain Pan Assy	9372579015
13	Kit (Panel Right Sub Assy)	9372916025
14	Kit (Panel Left Sub Assy)	9372581018
15	Drain Pan S Sub Assy	9372582015

(Connector : white)

(Connector : black)



## ■ Main PC board



Ref.	Description	Parts number
21	Power Supply PCB	9705668119
22	Main PCB (45)	9705246355
22	Main PCB (54)	9705246348
23	Transformer (Power)	9704129017
24	Terminal 3P	9703345012
25	Terminal 3P	9306489045
26	Relay	9900294014
27	Capacitor, Plastic	9900269111