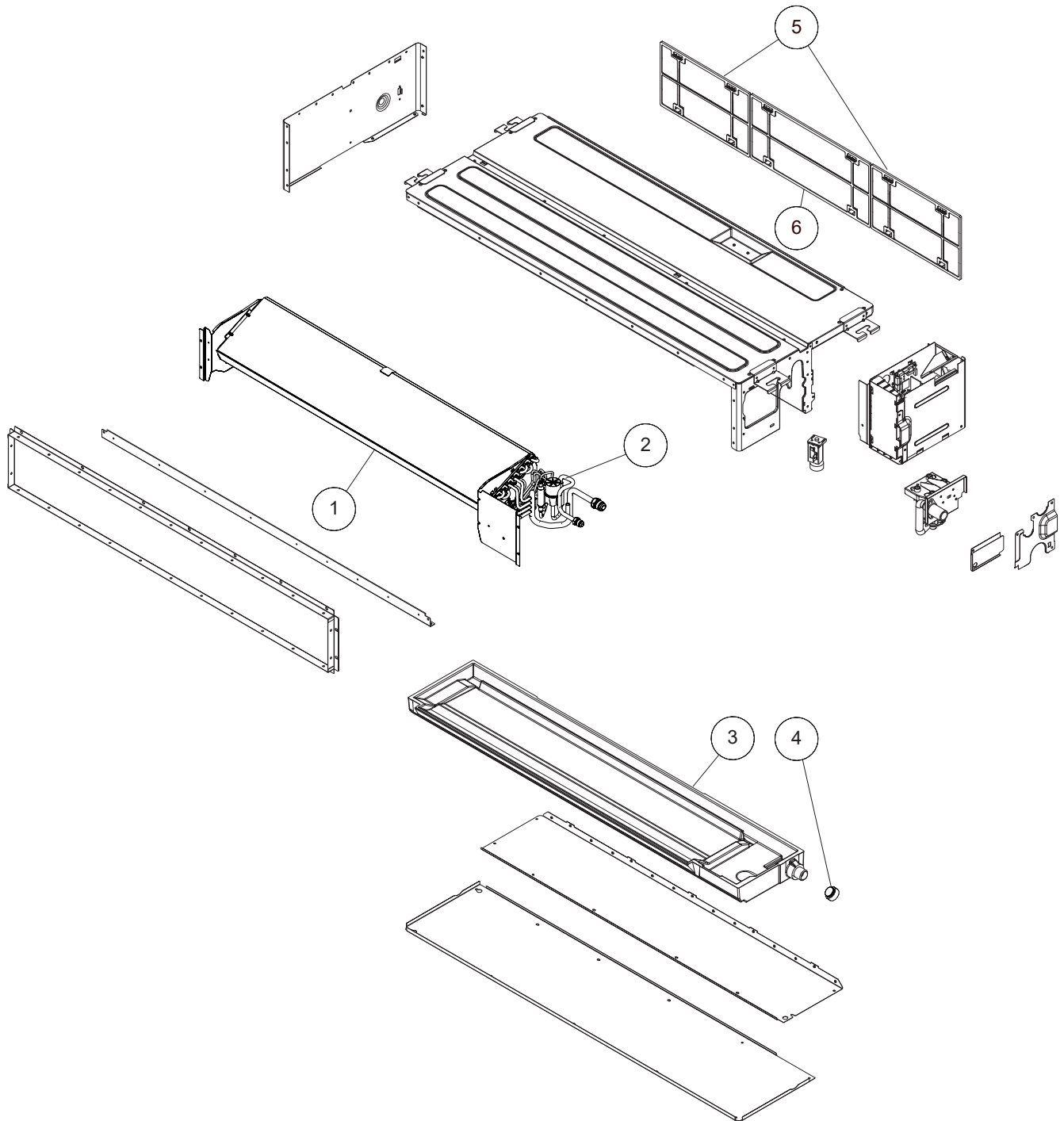
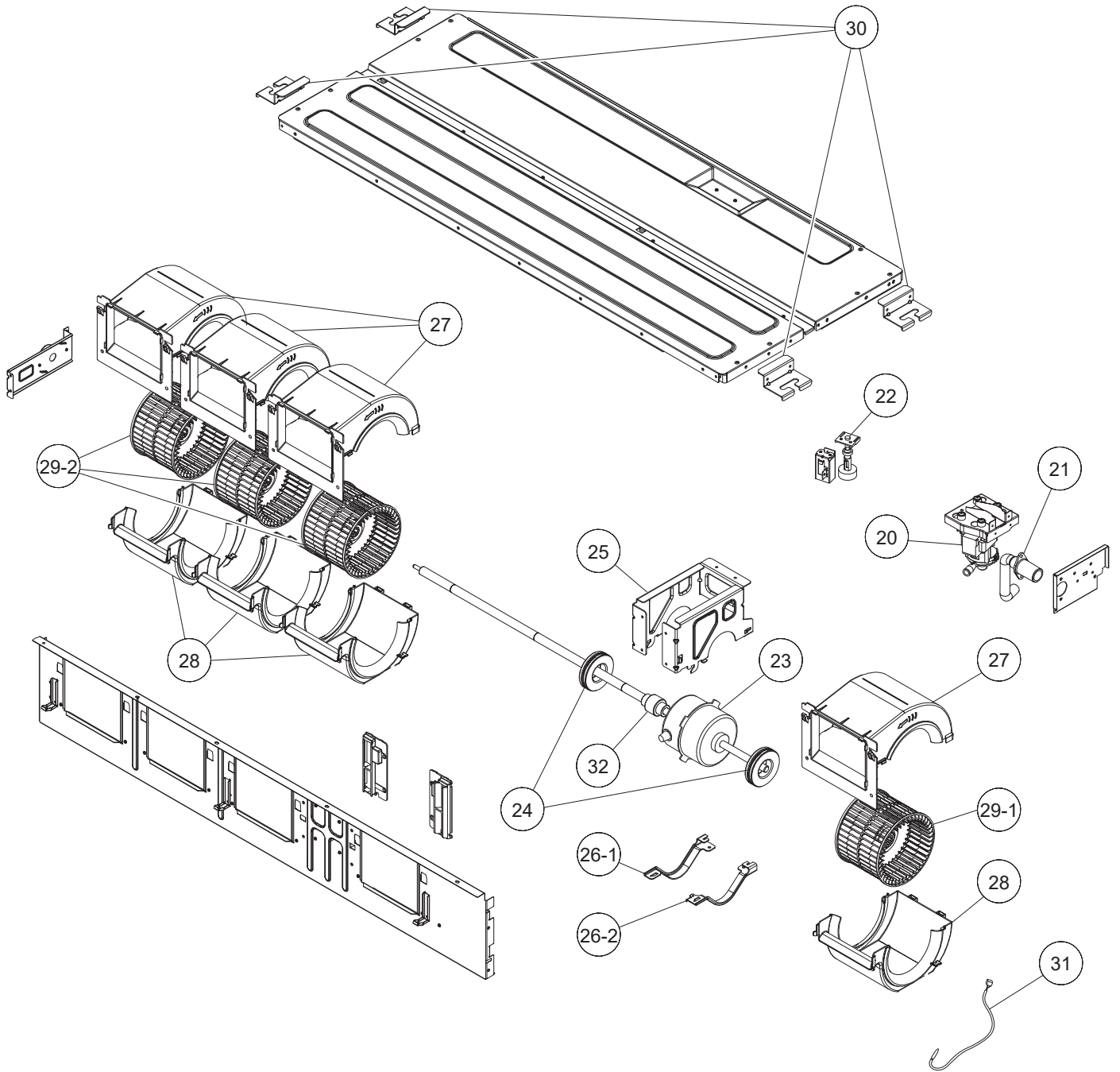


**MODEL : ARXK024GLGH**



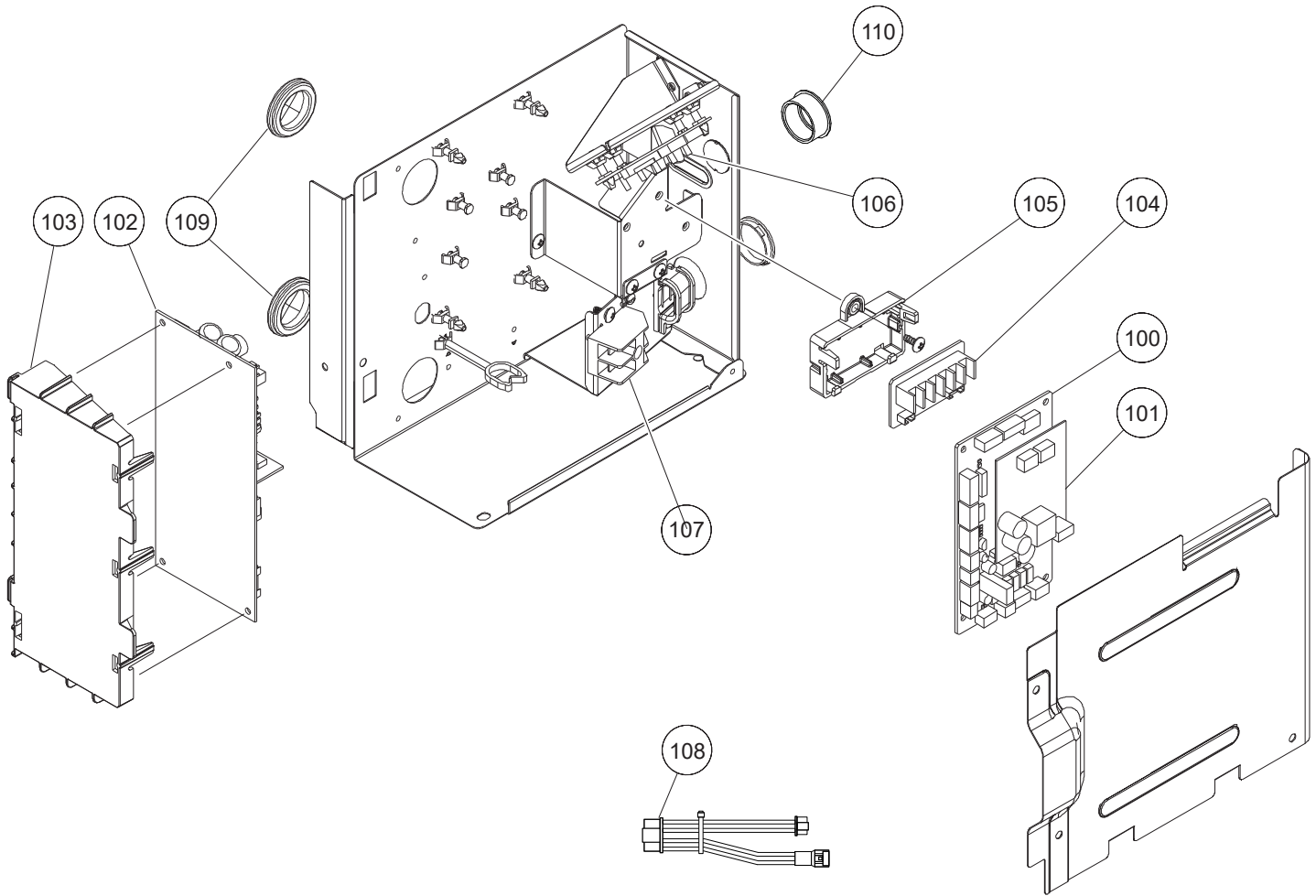
| Ref No. | Description   | Parts No.   |  |  |  | Q'ty |
|---------|---|-------------|--|--|--|------|
|         |   | ARXK024GLGH |  |  |  |      |
| 1       | EVAPORATOR TOTAL ASSY   | 9381933549  |  |  |  |      |
| 2       | EXPANSION VALVE<br>EFM type electronic linear control valve<br>(Built-in motor) | 9970085154  |  |  |  |      |
| 3       | DRAIN PAN SUB ASSY  | 9381930098  |  |  |  |      |
| 4       | CAP(DRAIN)  | 9358746004  |  |  |  |      |
| 5       | AIR FILTER  | 9379574006  |  |  |  |      |
| 6       | AIR FILTER  | 9379575003  |  |  |  |      |
| -       | THERMISTOR (PIPE-OUT)   | 9900881030  |  |  |  |      |
| -       | THERMISTOR (PIPE-IN)  | 9900509002  |  |  |  |      |

**MODEL : ARXK024GLGH**



| Ref No. | Description              | Parts No.   |  |  | Q'ty |
|---------|--------------------------|-------------|--|--|------|
|         |                          | ARXK024GLGH |  |  |      |
| 20      | PUMP ASSY                | 9900472061  |  |  |      |
| 21      | DRAIN HOSE ASSY          | 9381928002  |  |  |      |
| 22      | FLOAT SWITCH             | 9900465063  |  |  |      |
| 23      | FAN MOTOR                | 9603855000  |  |  |      |
| 24      | RUBBER (VIBRATION PROOF) | 9383443008  |  |  |      |
| 25      | MOTOR MOUNT ASSY         | 9381675005  |  |  |      |
| 26-1    | MOTOR BAND R             | 9381670000  |  |  |      |
| 26-2    | MOTOR BAND L             | 9381669004  |  |  |      |
| 27      | CASING U                 | 9381677016  |  |  |      |
| 28      | CASING B                 | 9381676002  |  |  |      |
| 29-1    | SIRROCO FAN ASSY         | 9379570022  |  |  |      |
| 29-2    | SIRROCO FAN ASSY         | 9379570039  |  |  |      |
| 30      | HOOK METAL               | 9381659005  |  |  |      |
| 31      | THERMISTOR (ROOM)        | 9900653033  |  |  |      |
| 32      | JOINT ASSY               | 9378038011  |  |  |      |

**MODEL : ARXK024GLGH**



| Ref No. | Description                | Parts No.   |  |  | Q'ty |
|---------|----------------------------|-------------|--|--|------|
|         |                            | ARXK024GLGH |  |  |      |
| 100     | CONTROLLER PCB             | 9711039255  |  |  |      |
| 101     | COMMUNICATION PCB          | 9709373026  |  |  |      |
| 102     | POWER SUPPLY PCB           | 9711356000  |  |  |      |
| 103     | PWB HOLDER                 | 9380616009  |  |  |      |
| 104     | TERMINAL PCB               | 9708605012  |  |  |      |
| 105     | PWB HOLDER B               | 9378345010  |  |  |      |
| 106     | SWITCH PCB                 | 9707732030  |  |  |      |
| 107     | TERMINAL 2P                | 9703873027  |  |  |      |
| 108     | THERMISTOR CONNECTION WIRE | 9707854022  |  |  |      |
| 109     | CAP (POWER)                | 9352173011  |  |  |      |
| 110     | ONE-TOUCH BUSH             | 9374407019  |  |  |      |