

11. External input and output

11-1. Compact cassette, slim duct, wall mounted, floor/ceiling, and floor types

Indoor unit type	External input	External output			
	Control input	Operation status output	Fresh air control output	Auxiliary heater output	Error status output
Compact cassette	•	•	•	—	—
Slim duct	•	•	•	•	—
Wall mounted	•	•	—	—	• (LU/LM/KM types)
Floor	•	•	—	—	—

External input

With using external input function, some functions on this product can be controlled from an external device.

- "Operation/Stop" mode or "Forced stop" mode can be selected with function setting of indoor unit.
- A twisted pair cable (22AWG) should be used. Maximum length of cable is 150 m.
- The wire connection should be separate from the power cable line.

Control input (Operation/Stop or Forced stop)

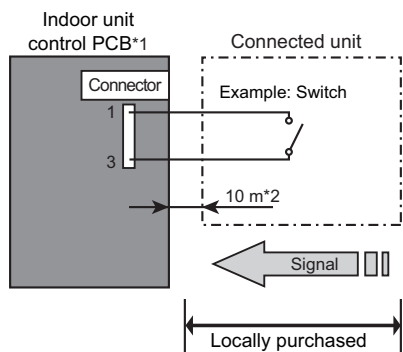
Indoor unit type		Connector
Compact cassette		CN102
Slim duct		
Wall mounted	LJ	CN303
	LU/LM/KM	CNA01
	LF	CN14
Floor/Ceiling		CN102
Floor		CN14

The air conditioner can be remotely operated by means of the following on-site work.

Operation is started at the following contents by adding the contact input of a commercial on/off switch to a connector on the external control PCB and turning it on.

Unit operation	Initial setting after power is on	Starting mode other than initial setting
Operation mode	Auto changeover	Mode at previous operation
Set temperature	24 °C	Temperature at previous operation
Airflow mode	AUTO	Mode at previous operation
Air direction (swing)	Standard air direction (swing: off)	Air direction at previous operation

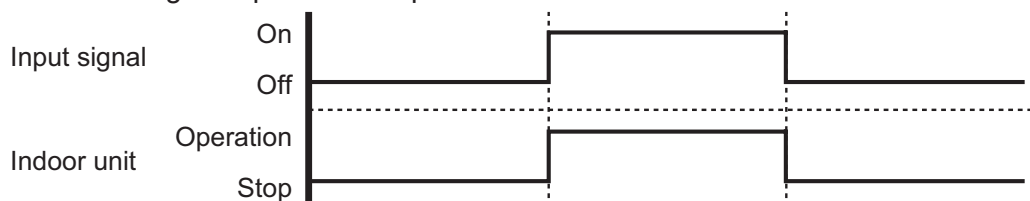
• **Circuit diagram example**



- Contact capacity: DC 24 V or more, 10 mA or more.
- *1: PCB of Communication kit is used for wall mounted type (LU, LM, and KM).
- *2: Make the distance from the PCB to the connected unit within 10 m.
- Use non-polar relays and switches.

Indoor unit type		1-pin (Polarity)	3-pin (Polarity)
Compact cassette		-	+
Slim duct		-	+
Wall mounted	LJ	+	-
	LU	-	+
	LM	-	+
	LF	-	+
	KM	-	+
Floor/Ceiling		-	+
Floor		-	+

– When function setting is "Operation/Stop" mode



– When function setting is "Forced stop" mode

