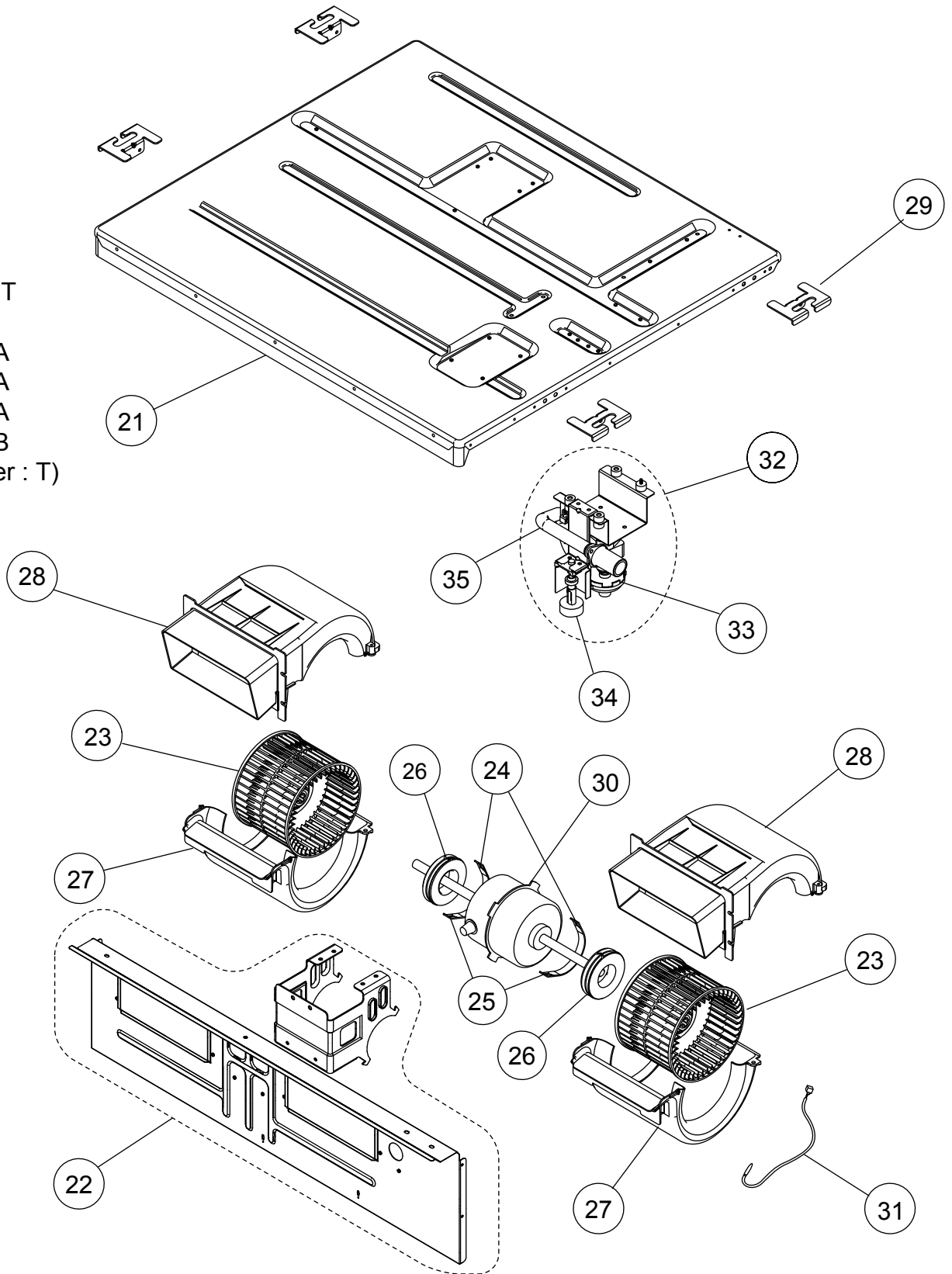


INDOOR UNIT
 SLIM DUCT
 ARYG07LLTA
 ARYG09LLTA
 ARYG12LLTA
 ARYG12LLTB
 (Serial number : T)
 Refer to the service
 bulletin RAC-0059

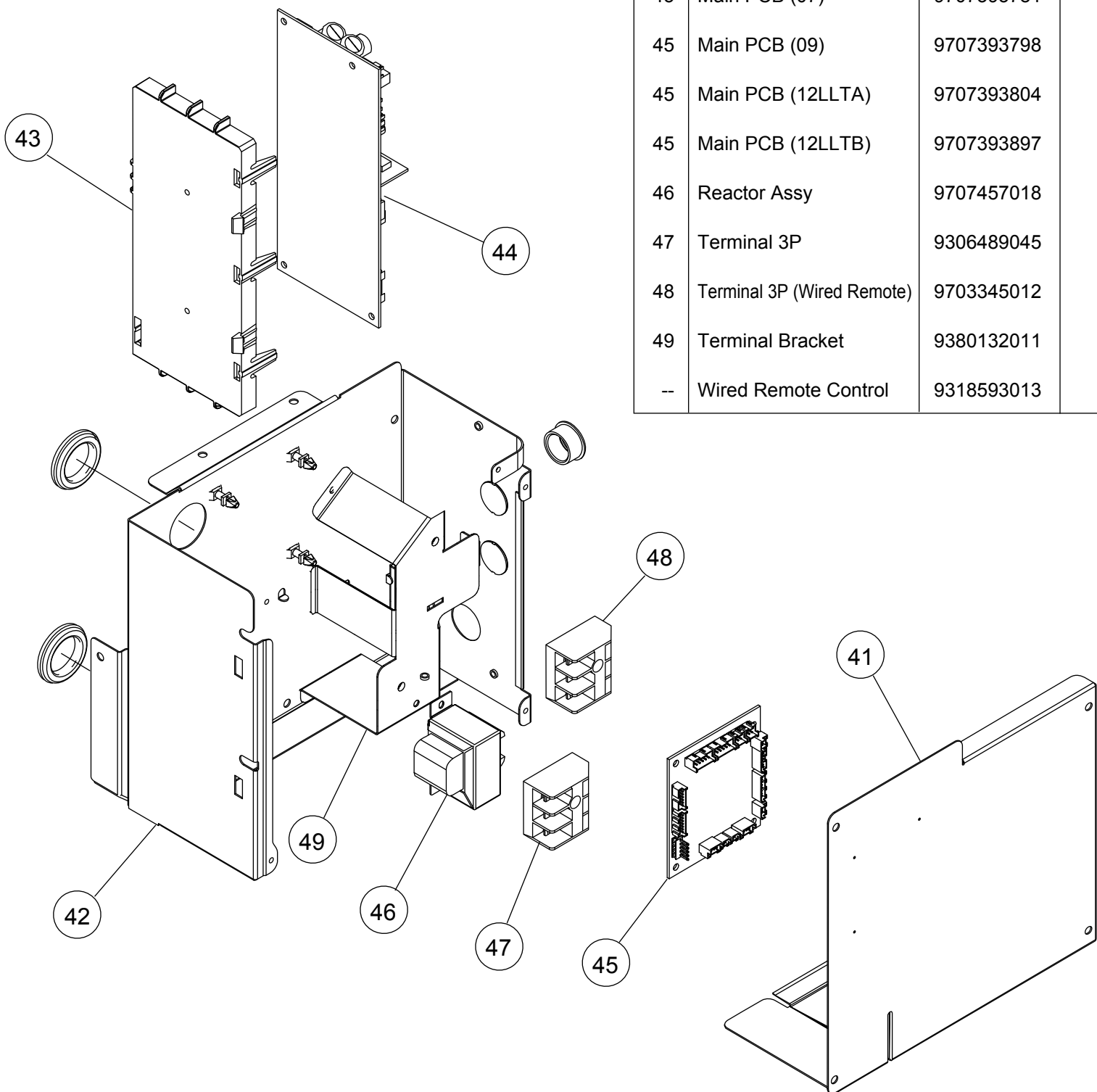
| Ref | Description | Parts number | Ref | Description | Parts number |
|-----|-------------------------|--------------|-----|--------------------------------|--------------|
| 1 | Side Panel R Sub Assy | 9379906005 | 10 | Air Filter | 9379574006 |
| 2 | Side Panel L Sub Assy | 9379907002 | 11 | Main Panel Sub Assy | 9379902007 |
| 3 | Pipe Panel Sub Assy | 9379900003 | 12 | Cabinet Panel (2 Fan) | 9379596008 |
| 4 | Panel (Window) Sub Assy | 9379915007 | 13 | Drain Cap | 9358746004 |
| 5 | Outlet Frame Sub Assy | 9379909006 | 14 | Drain Pan Sub Assy | 9379901000 |
| 6 | Front Panel (2 Fan) | 9379593007 | 15 | Evaporater Total Assy (07) | 9364499666 |
| 7 | Valve Cover Sub Assy | 9379576000 | 15 | Evaporater Total Assy (09, 12) | 9364499581 |
| 8 | Cover Pipe Sub Assy | 9380033004 | 16 | Pipe Thermistor | 9900623005 |
| 9 | Fan Guard (2 Fan) | 9379637008 | -- | Hose Sub Assy | 9378450103 |

INDOOR UNIT
 SLIM DUCT
 ARYG07LLTA
 ARYG09LLTA
 ARYG12LLTA
 ARYG12LLTB
 (Serial number : T)



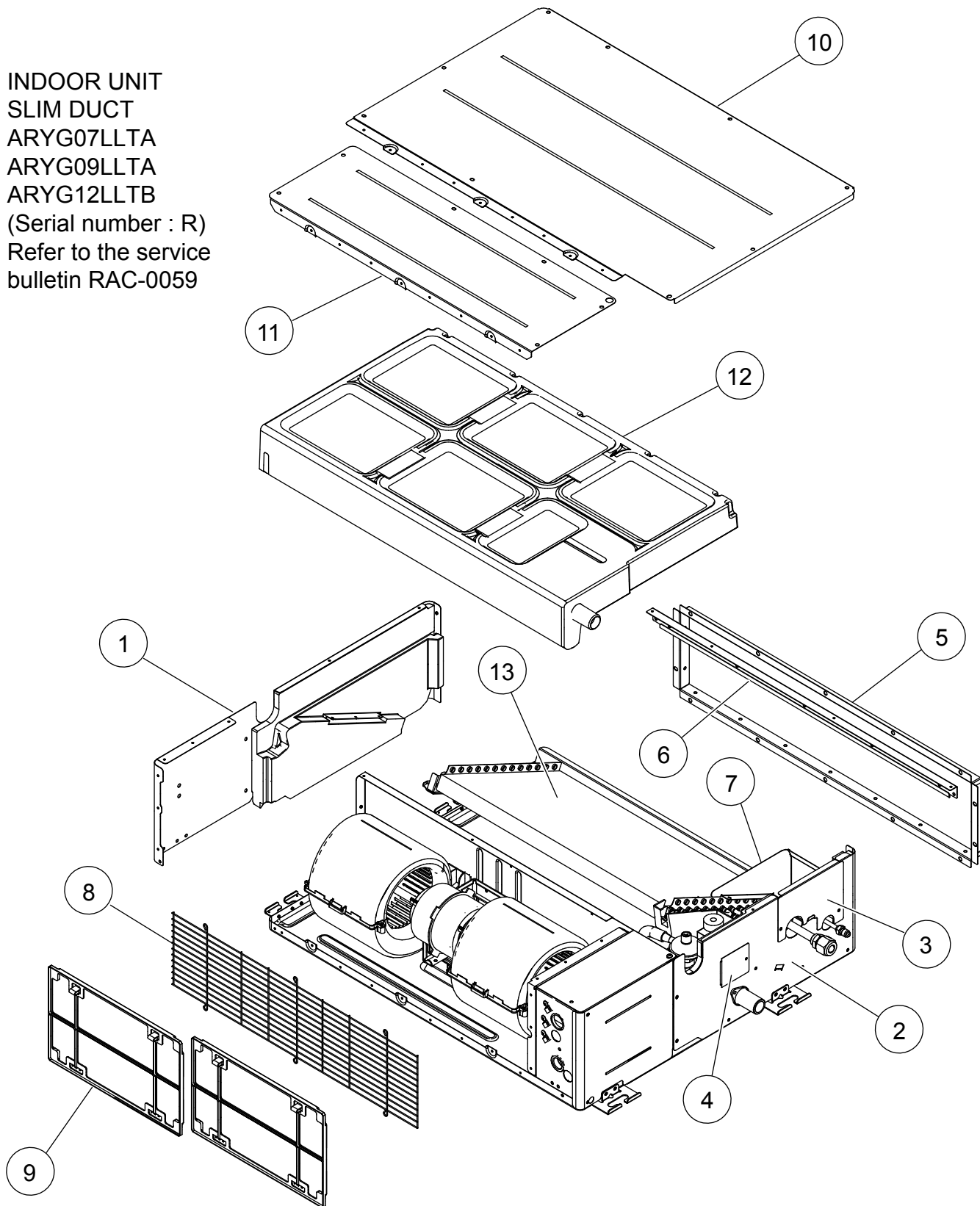
| Ref | Description | Parts number | Ref | Description | Parts number |
|-----|--------------------------|--------------|-----|-------------------------|--------------|
| 21 | Top Panel Sub Assy | 9379908009 | 29 | Hook Metal | 9379889001 |
| 22 | Separator Sub Assy | 9379898003 | 30 | Fan Motor Assy (07) | 9603139018 |
| 23 | Sirroco Fan Assy | 9379570015 | 30 | Fan Motor Assy (09, 12) | 9603283018 |
| 24 | Motor Band Assy | 9379613002 | 31 | Room Thermistor | 9703299247 |
| 25 | Motor Band | 9379614009 | 32 | Drain Pump Sub Assy | 9379914000 |
| 26 | Rubber (Vibration Proof) | 9379644006 | 33 | Pump Assy | 9900472047 |
| 27 | Casing B | 9379572002 | 34 | Float Switch | 9900465032 |
| 28 | Casing U | 9379571005 | 35 | Drain Hose Assy | 9379913003 |

INDOOR UNIT
 SLIM DUCT
 ARYG07LLTA
 ARYG09LLTA
 ARYG12LLTA
 ARYG12LLTB
 (Serial number : T)

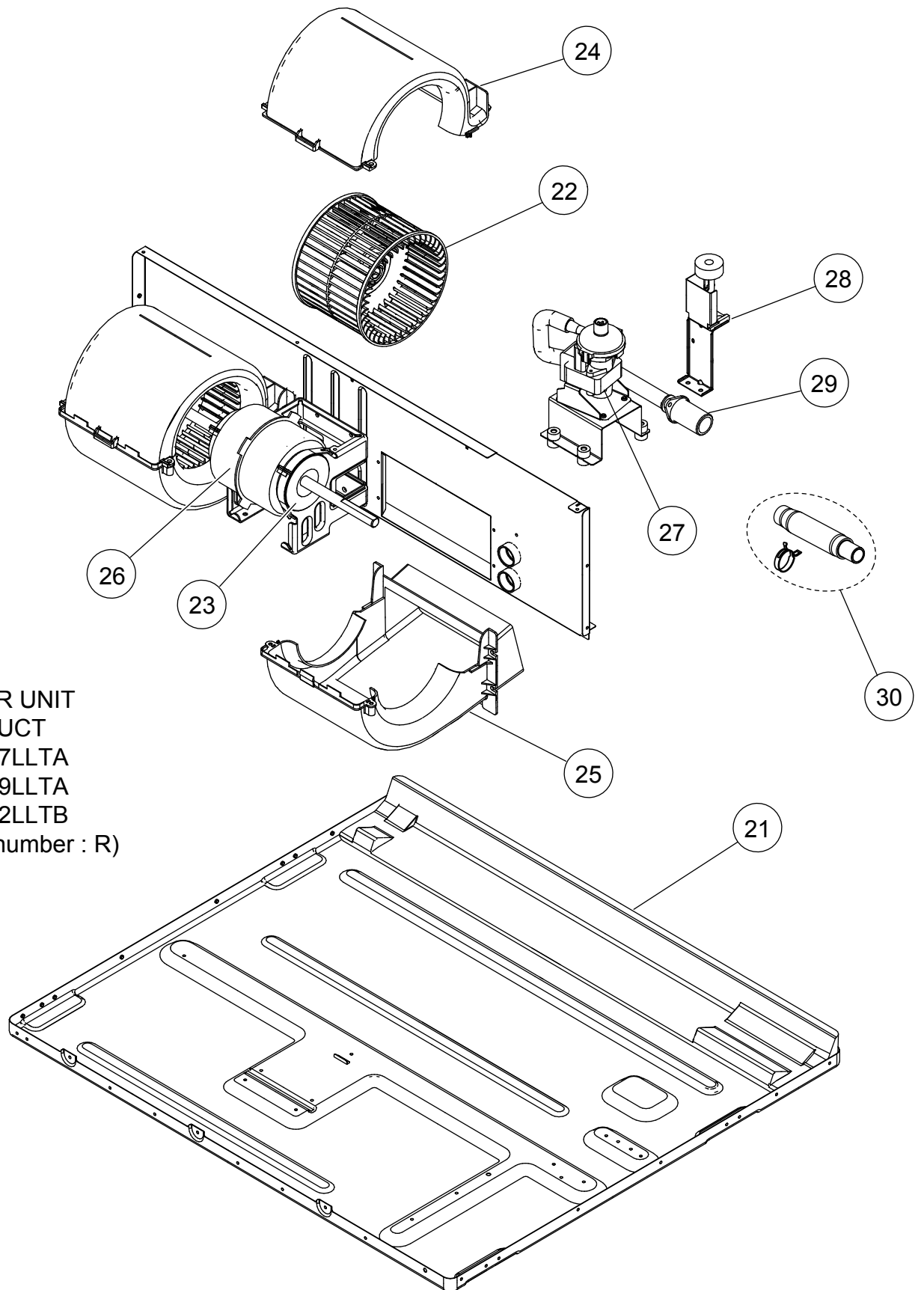


| Ref | Description | Parts number |
|-----|----------------------------|--------------|
| 41 | Control Cover Sub Assy | 9379806039 |
| 42 | Control Box Assy | 9380041023 |
| 43 | PCB Holder | 9379402002 |
| 44 | Power Supply PCB | 9707398267 |
| 45 | Main PCB (07) | 9707393781 |
| 45 | Main PCB (09) | 9707393798 |
| 45 | Main PCB (12LLTA) | 9707393804 |
| 45 | Main PCB (12LLTB) | 9707393897 |
| 46 | Reactor Assy | 9707457018 |
| 47 | Terminal 3P | 9306489045 |
| 48 | Terminal 3P (Wired Remote) | 9703345012 |
| 49 | Terminal Bracket | 9380132011 |
| -- | Wired Remote Control | 9318593013 |

INDOOR UNIT
 SLIM DUCT
 ARYG07LLTA
 ARYG09LLTA
 ARYG12LLTB
 (Serial number : R)
 Refer to the service
 bulletin RAC-0059



| Ref | Description | Parts number | Ref | Description | Parts number |
|-----|-------------------------|--------------|-----|--------------------------------|--------------|
| 1 | Side Panel R Sub Assy | 9379906012 | 8 | Fan Guard (2 Fan) | 9380589006 |
| 2 | Side Panel L Sub Assy | 9379907019 | 9 | Air Filter | 9379574006 |
| 3 | Pipe Panel Sub Assy | 9379900003 | 10 | Main Panel (2 Fan) | 9380602002 |
| 4 | Panel (Window) Sub Assy | 9379915007 | 11 | Cabinet Panel (2 Fan) | 9380597001 |
| 5 | Outlet Frame Assy | 9380042006 | 12 | Drain Pan Sub Assy | 9379901048 |
| 6 | Front Panel (2 Fan) | 9380594000 | 13 | Evaporater Total Assy (07) | 9380682080 |
| 7 | Valve Cover Sub Assy | 9379576017 | 13 | Evaporater Total Assy (09, 12) | 9380682042 |

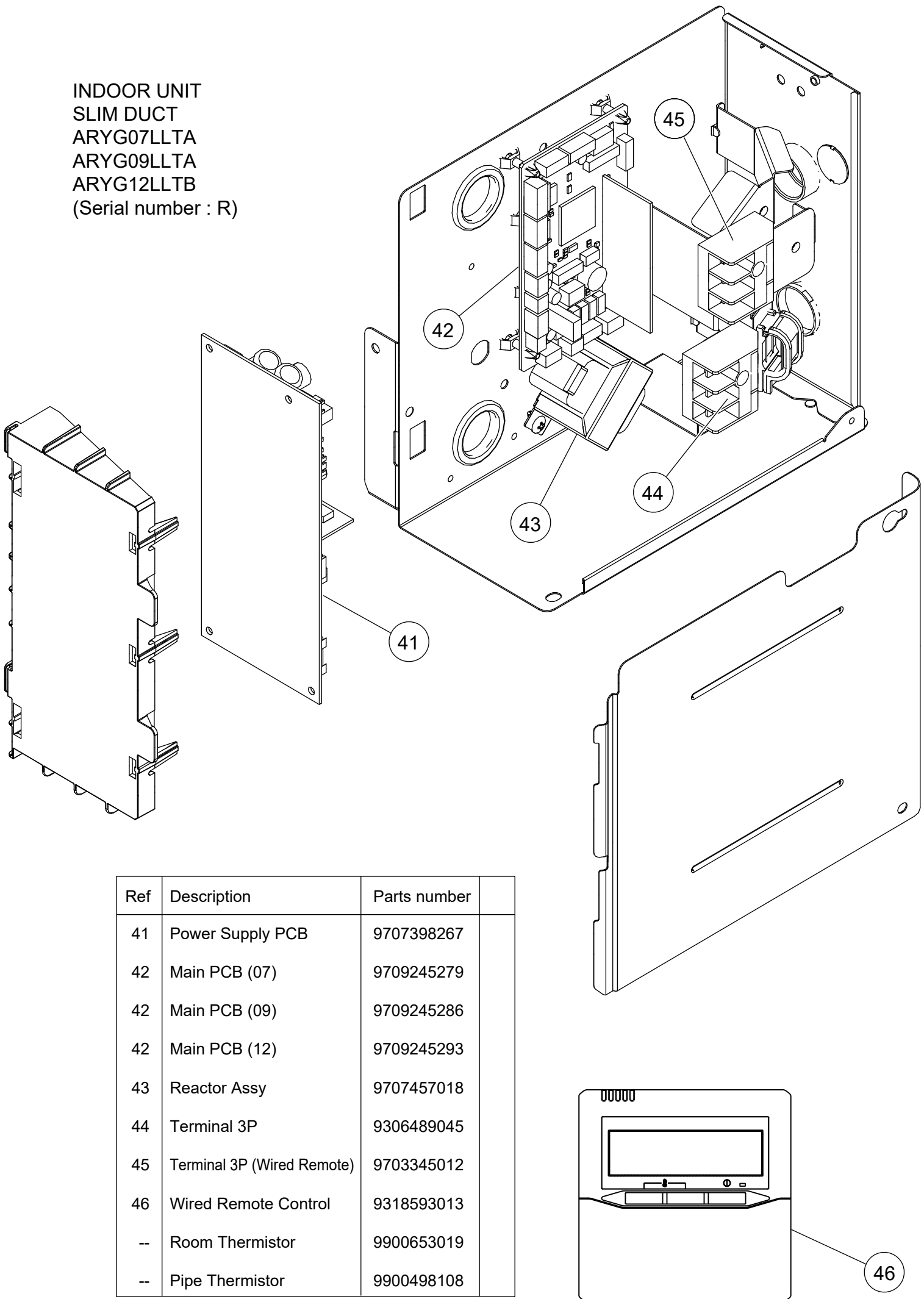


INDOOR UNIT
SLIM DUCT
ARYG07LLTA
ARYG09LLTA
ARYG12LLTB
(Serial number : R)

| Ref | Description | Parts number |
|-----|--------------------------|--------------|
| 21 | Top Panel Sub Assy | 9379908030 |
| 22 | Sirroco Fan Assy | 9379570015 |
| 23 | Rubber (Vibration Proof) | 9379644006 |
| 24 | Casing B | 9379572019 |
| 25 | Casing U | 9379571012 |
| 26 | Fan Motor Assy (07) | 9603139018 |

| Ref | Description | Parts number |
|-----|-----------------------|--------------|
| 26 | Fan Motor (09, 12) | 9603283018 |
| 27 | Pump Assy | 9900472054 |
| 28 | Float Switch Sub Assy | 9378593022 |
| 29 | Drain Hose Assy | 9379913003 |
| 30 | Hose Sub Assy | 9378450097 |

INDOOR UNIT
 SLIM DUCT
 ARYG07LLTA
 ARYG09LLTA
 ARYG12LLTB
 (Serial number : R)



| Ref | Description | Parts number |
|-----|----------------------------|--------------|
| 41 | Power Supply PCB | 9707398267 |
| 42 | Main PCB (07) | 9709245279 |
| 42 | Main PCB (09) | 9709245286 |
| 42 | Main PCB (12) | 9709245293 |
| 43 | Reactor Assy | 9707457018 |
| 44 | Terminal 3P | 9306489045 |
| 45 | Terminal 3P (Wired Remote) | 9703345012 |
| 46 | Wired Remote Control | 9318593013 |
| -- | Room Thermistor | 9900653019 |
| -- | Pipe Thermistor | 9900498108 |