

ARYG09LLTA

Please visit our webstore for full product and technical documentation 

Unit Type	Slim Ducted	
Nominal Cooling Capacity (kW)		2.5
Nominal Heating Capacity (kW)		
Height (mm)		198
Width (mm)		700
Depth (mm)		620
Weight (kg)		19
Static Pressure Ranget (Pa)		0 to 90
Airflow Rate - Cooling - High (m3/h)		600
Airflow Rate - Heating - High (m3/h)		600
Sound Pressure Level - Cooling - High (dB(A))		28
Sound Pressure Level - Cooling - Low (dB(A))		25
Sound Pressure Level - Heating - High (dB(A))		28
Sound Pressure Level - Heating - Low (dB(A))		25
Sound Power Level - Cooling - High (dB(A))		57
Sound Power Level - Heating - High (dB(A))		57
Refrigerant Type (Global Warming Potential)	R410A (2,088)	
Liquid Pipe Size	1/4"	
Gas Pipe Size	3/8"	
Unit Power Supply	From Outdoor Unit	



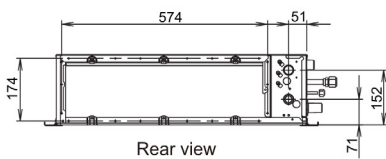
Document Downloads

- [Air Distribution](#)
- [Airflow](#)
- [Controls & Accessories](#)
- [Dimensional Drawing](#)
- [Electrical Characteristics](#)
- [Fan Curve](#)
- [Function Settings](#)
- [Installation Manual](#)
- [Noise Curve](#)

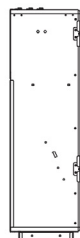
- [Operation Manual](#)
- [Product Image](#)
- [Spare Parts List All Pages](#)
- [Specifications](#)
- [Wiring Diagram](#)

Related Items

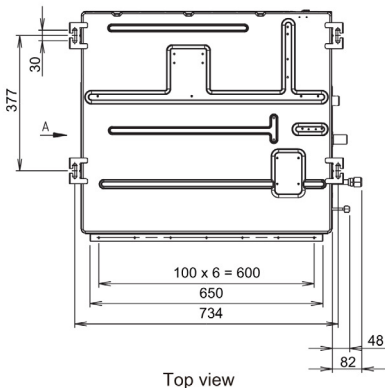
- [AOYG45LBLA6](#) 12.5kW 6 Way Multi Outdoor Unit - R410A 1 Ph



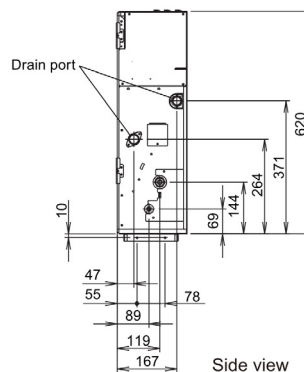
Rear view



View A



Top view



Side view

*Specifications and design are subject to change without notice for further improvement.
 •Actual products' colors may be different from the colors shown in this printed material.