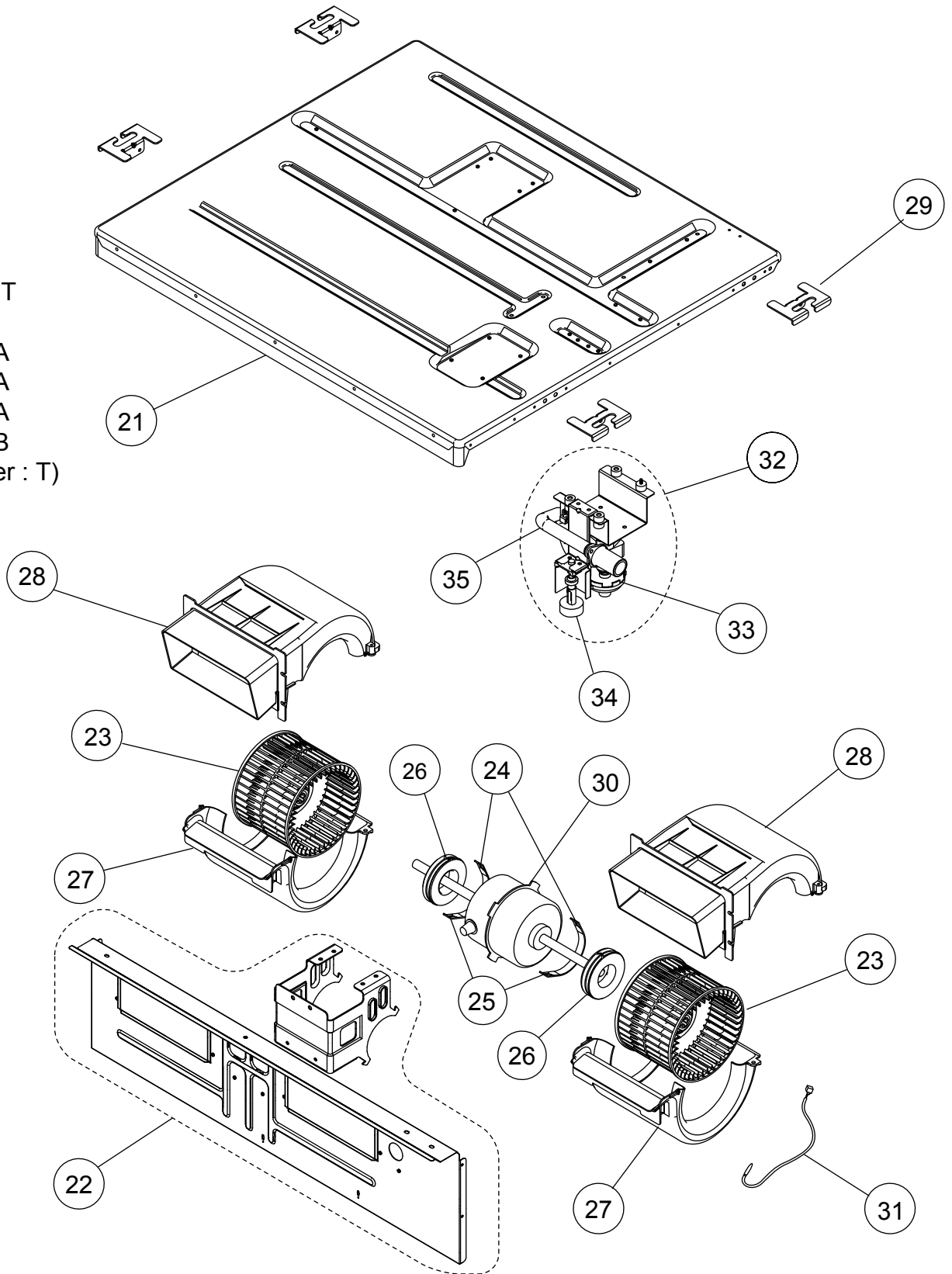


INDOOR UNIT  
 SLIM DUCT  
 ARYG07LLTA  
 ARYG09LLTA  
 ARYG12LLTA  
 ARYG12LLTB  
 (Serial number : T)  
 Refer to the service  
 bulletin RAC-0059

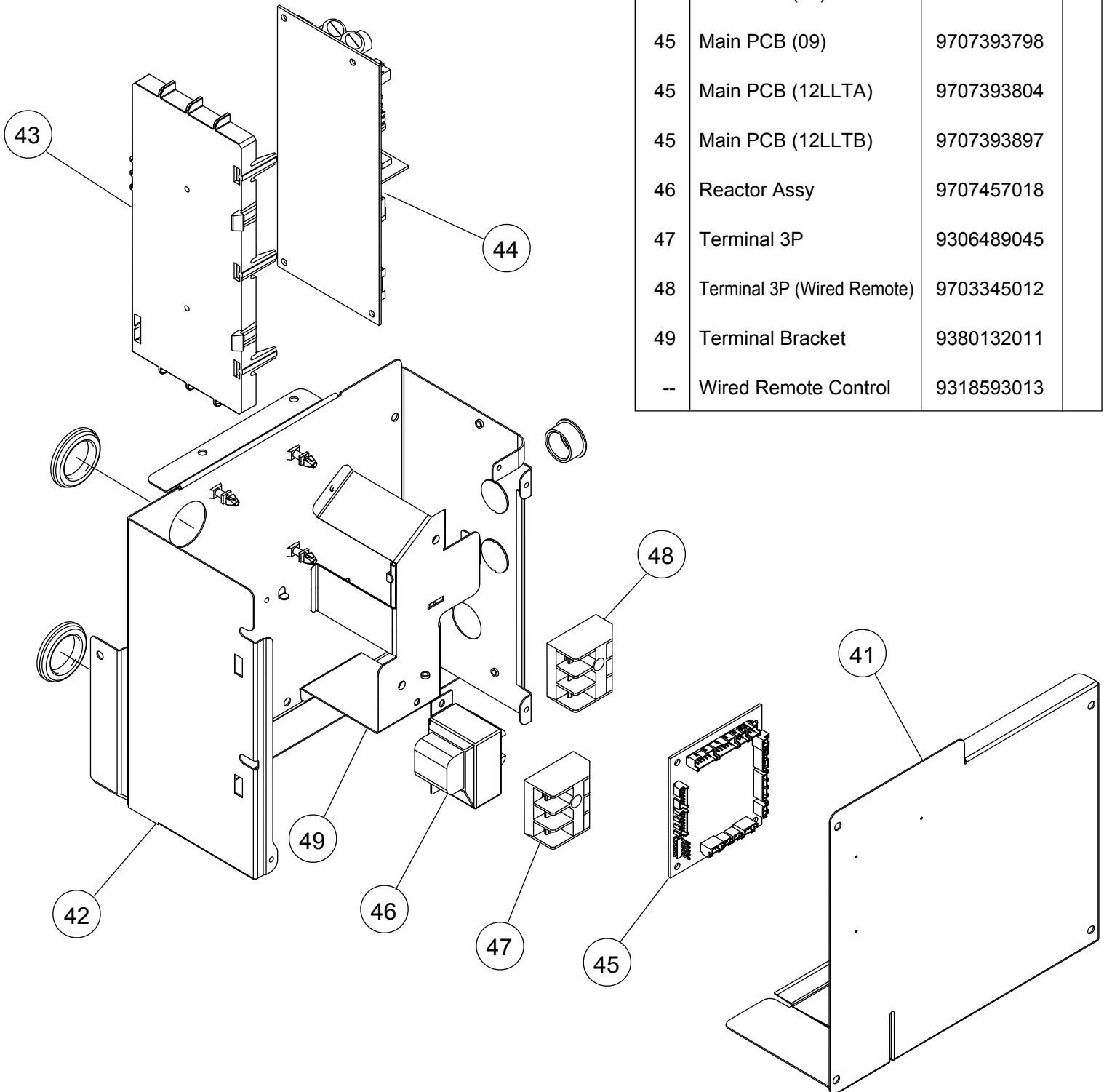
Ref	Description	Parts number	Ref	Description	Parts number
1	Side Panel R Sub Assy	9379906005	10	Air Filter	9379574006
2	Side Panel L Sub Assy	9379907002	11	Main Panel Sub Assy	9379902007
3	Pipe Panel Sub Assy	9379900003	12	Cabinet Panel (2 Fan)	9379596008
4	Panel (Window) Sub Assy	9379915007	13	Drain Cap	9358746004
5	Outlet Frame Sub Assy	9379909006	14	Drain Pan Sub Assy	9379901000
6	Front Panel (2 Fan)	9379593007	15	Evaporater Total Assy (07)	9364499666
7	Valve Cover Sub Assy	9379576000	15	Evaporater Total Assy (09, 12)	9364499581
8	Cover Pipe Sub Assy	9380033004	16	Pipe Thermistor	9900623005
9	Fan Guard (2 Fan)	9379637008	--	Hose Sub Assy	9378450103

INDOOR UNIT  
SLIM DUCT  
ARYG07LLTA  
ARYG09LLTA  
ARYG12LLTA  
ARYG12LLTB  
(Serial number : T)



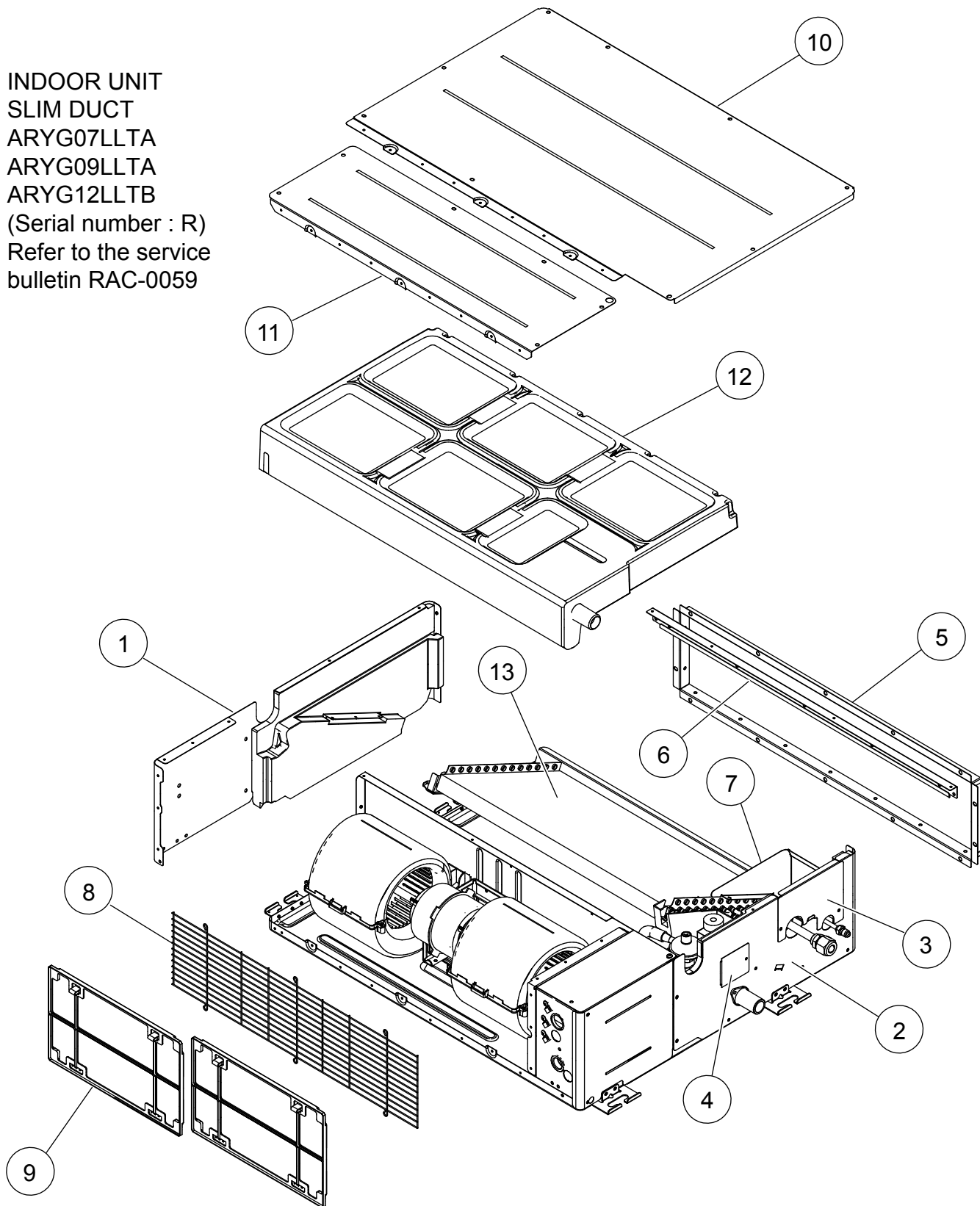
Ref	Description	Parts number	Ref	Description	Parts number
21	Top Panel Sub Assy	9379908009	29	Hook Metal	9379889001
22	Separator Sub Assy	9379898003	30	Fan Motor Assy (07)	9603139018
23	Sirroco Fan Assy	9379570015	30	Fan Motor Assy (09, 12)	9603283018
24	Motor Band Assy	9379613002	31	Room Thermistor	9703299247
25	Motor Band	9379614009	32	Drain Pump Sub Assy	9379914000
26	Rubber (Vibration Proof)	9379644006	33	Pump Assy	9900472047
27	Casing B	9379572002	34	Float Switch	9900465032
28	Casing U	9379571005	35	Drain Hose Assy	9379913003

INDOOR UNIT  
 SLIM DUCT  
 ARYG07LLTA  
 ARYG09LLTA  
 ARYG12LLTA  
 ARYG12LLTB  
 (Serial number : T)

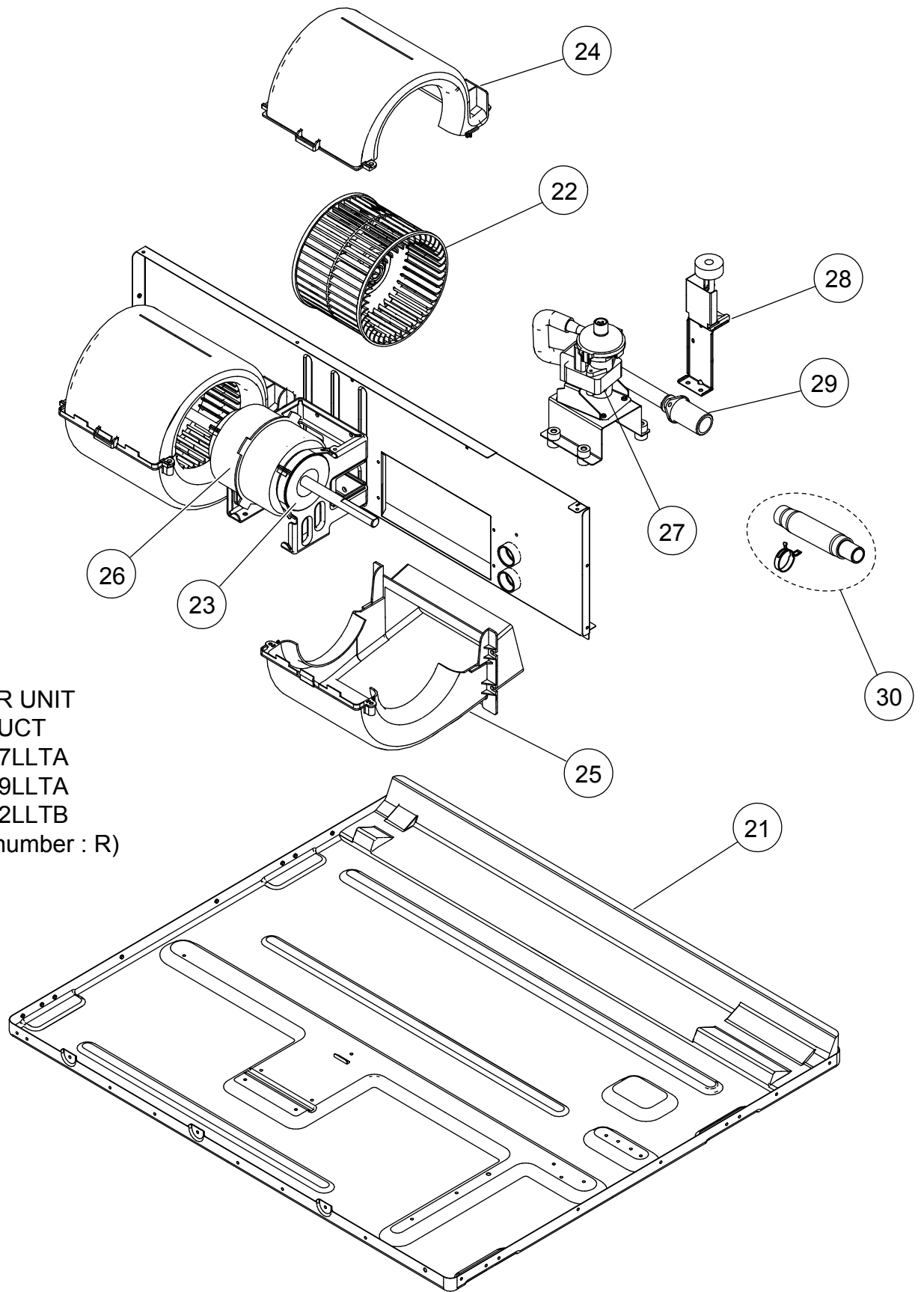


Ref	Description	Parts number
41	Control Cover Sub Assy	9379806039
42	Control Box Assy	9380041023
43	PCB Holder	9379402002
44	Power Supply PCB	9707398267
45	Main PCB (07)	9707393781
45	Main PCB (09)	9707393798
45	Main PCB (12LLTA)	9707393804
45	Main PCB (12LLTB)	9707393897
46	Reactor Assy	9707457018
47	Terminal 3P	9306489045
48	Terminal 3P (Wired Remote)	9703345012
49	Terminal Bracket	9380132011
--	Wired Remote Control	9318593013

INDOOR UNIT  
 SLIM DUCT  
 ARYG07LLTA  
 ARYG09LLTA  
 ARYG12LLTB  
 (Serial number : R)  
 Refer to the service  
 bulletin RAC-0059



Ref	Description	Parts number	Ref	Description	Parts number
1	Side Panel R Sub Assy	9379906012	8	Fan Guard (2 Fan)	9380589006
2	Side Panel L Sub Assy	9379907019	9	Air Filter	9379574006
3	Pipe Panel Sub Assy	9379900003	10	Main Panel (2 Fan)	9380602002
4	Panel (Window) Sub Assy	9379915007	11	Cabinet Panel (2 Fan)	9380597001
5	Outlet Frame Assy	9380042006	12	Drain Pan Sub Assy	9379901048
6	Front Panel (2 Fan)	9380594000	13	Evaporater Total Assy (07)	9380682080
7	Valve Cover Sub Assy	9379576017	13	Evaporater Total Assy (09, 12)	9380682042

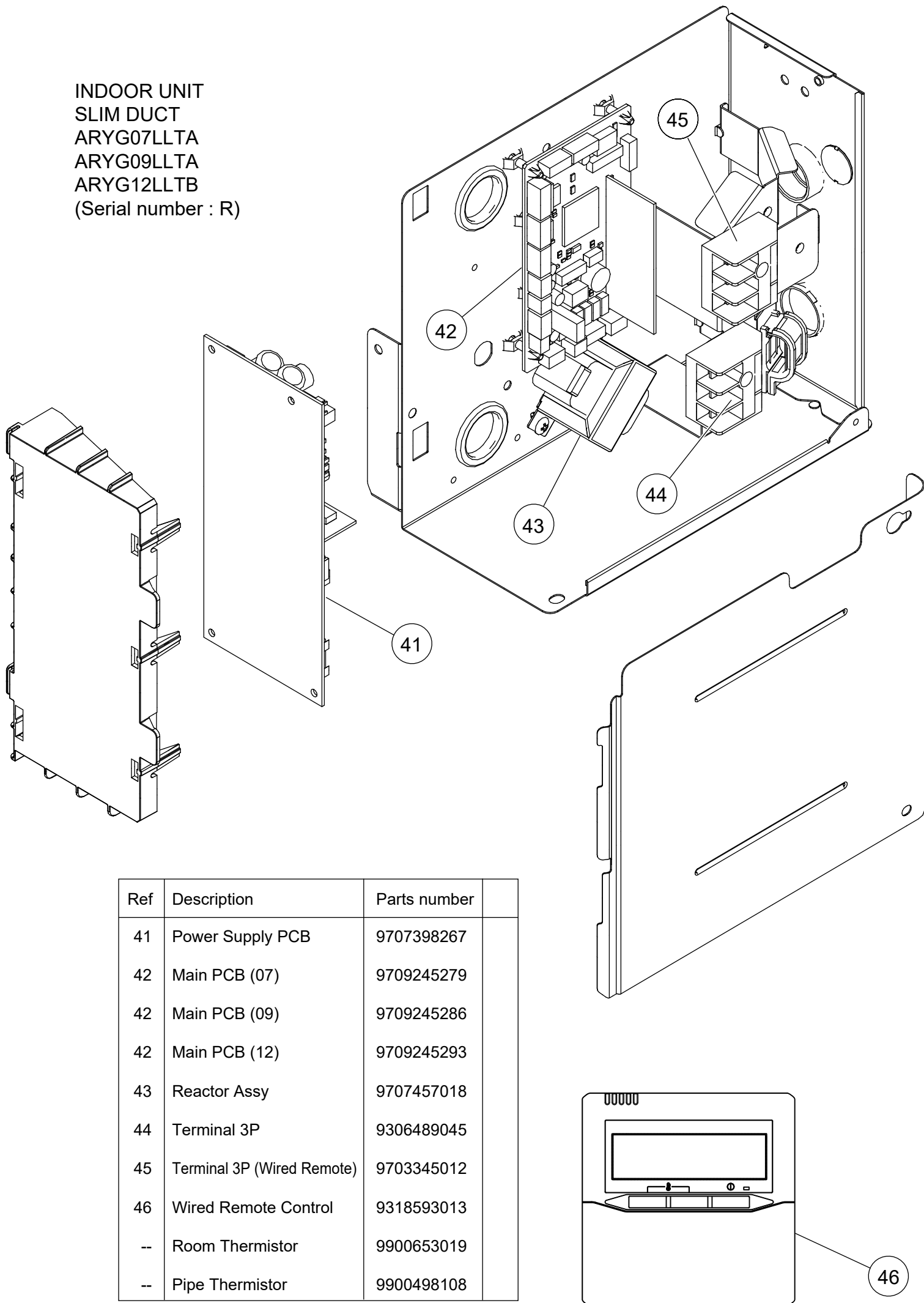


INDOOR UNIT  
SLIM DUCT  
ARYG07LLTA  
ARYG09LLTA  
ARYG12LLTB  
(Serial number : R)

Ref	Description	Parts number
21	Top Panel Sub Assy	9379908030
22	Sirroco Fan Assy	9379570015
23	Rubber (Vibration Proof)	9379644006
24	Casing B	9379572019
25	Casing U	9379571012
26	Fan Motor Assy (07)	9603139018

Ref	Description	Parts number
26	Fan Motor (09, 12)	9603283018
27	Pump Assy	9900472054
28	Float Switch Sub Assy	9378593022
29	Drain Hose Assy	9379913003
30	Hose Sub Assy	9378450097

INDOOR UNIT  
 SLIM DUCT  
 ARYG07LLTA  
 ARYG09LLTA  
 ARYG12LLTB  
 (Serial number : R)



Ref	Description	Parts number
41	Power Supply PCB	9707398267
42	Main PCB (07)	9709245279
42	Main PCB (09)	9709245286
42	Main PCB (12)	9709245293
43	Reactor Assy	9707457018
44	Terminal 3P	9306489045
45	Terminal 3P (Wired Remote)	9703345012
46	Wired Remote Control	9318593013
--	Room Thermistor	9900653019
--	Pipe Thermistor	9900498108