

### ARYG14LLTB

Please visit our webstore for full product and technical documentation 

Unit Type		Slim Ducted
Nominal Cooling Capacity	(kW)	4.3
Nominal Heating Capacity	(kW)	5.0
Height	(mm)	198
Width	(mm)	700
Depth	(mm)	620
Weight	(kg)	19
Standard Static Pressure	(Pa)	25
Static Pressure Ranget	(Pa)	0 to 90
Airflow Rate - Cooling - High	(m3/h)	800
Airflow Rate - Heating - High	(m3/h)	800
Sound Pressure Level - Cooling - High	(dB(A))	32
Sound Pressure Level - Cooling - Low	(dB(A))	26
Sound Pressure Level - Heating - High	(dB(A))	32
Sound Pressure Level - Heating - Low	(dB(A))	25
Sound Power Level - Cooling - High	(dB(A))	60
Sound Power Level - Heating - High	(dB(A))	60
Moisture Removal	(l/h)	1.5
Refrigerant Type (Global Warming Potential)		R410A (2,088)
Liquid Pipe Size		1/4"
Gas Pipe Size		1/2"
Unit Power Supply		From Outdoor Unit



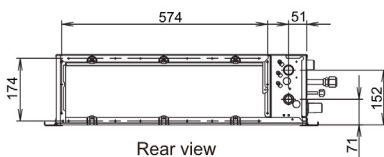
#### Document Downloads

- [Airflow - Fan Curve](#)
- [Controls & Accessories](#)
- [Dimensional Drawing](#)
- [Electrical Characteristics](#)
- [Function Settings](#)
- [Inputs & Outputs](#)
- [Installation Manual](#)
- [Noise Curve](#)
- [Operation Manual](#)

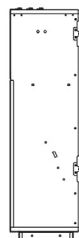
- [Product Image](#)
- [Spare Parts List All Pages](#)
- [Specifications](#)
- [Wiring Diagram](#)

#### Related Items

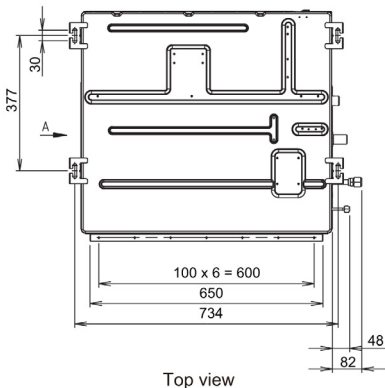
- [AOYG45LBLA6](#) 12.5kW 6 Way Multi Outdoor Unit - R410A 1 Ph



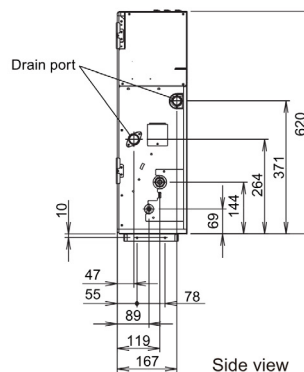
Rear view



View A



Top view



Side view

\*Specifications and design are subject to change without notice for further improvement.  
 \*Actual products' colors may be different from the colors shown in this printed material.