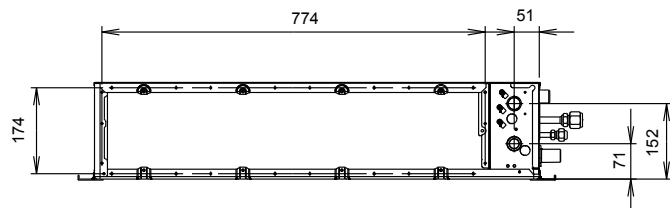


Unit : mm

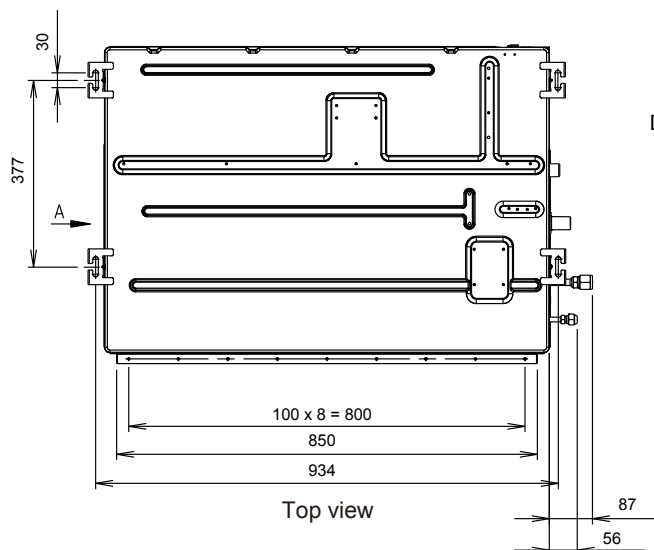
MODEL : AR\*G18LLTB



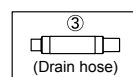
Rear view



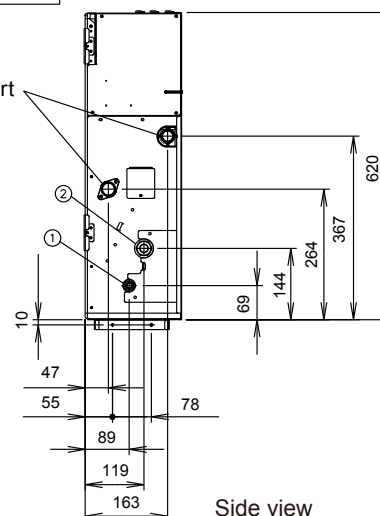
View A



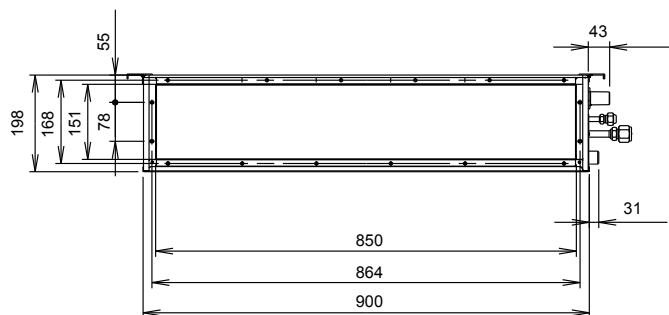
Top view



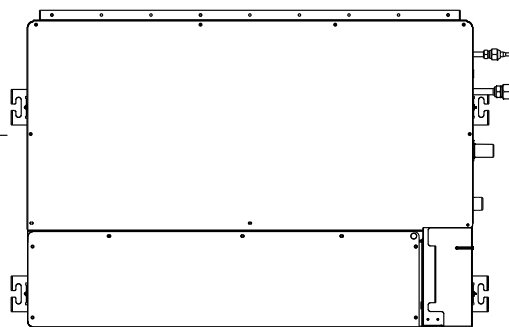
Drain port



Side view



Front view

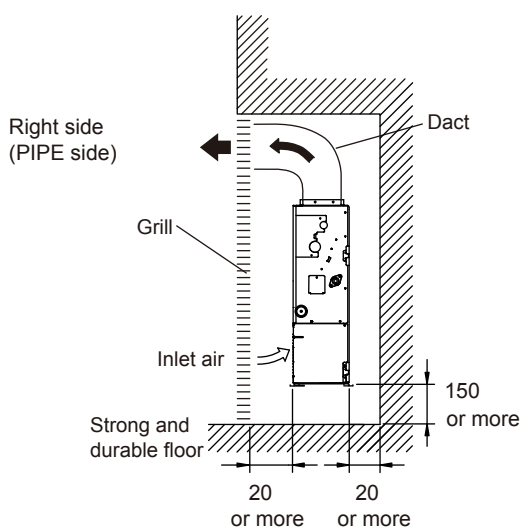
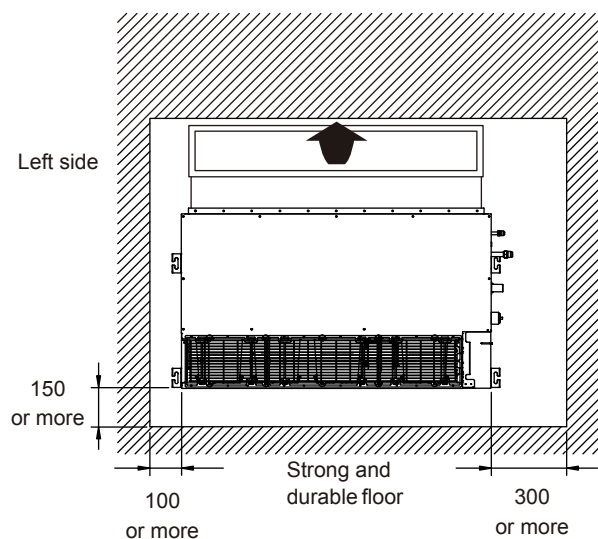
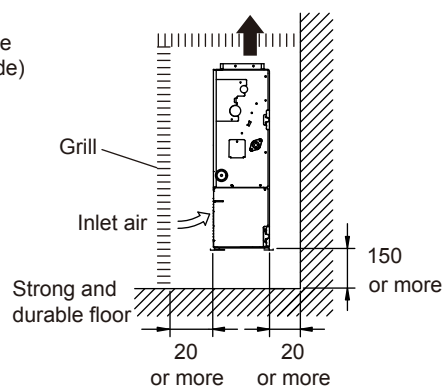
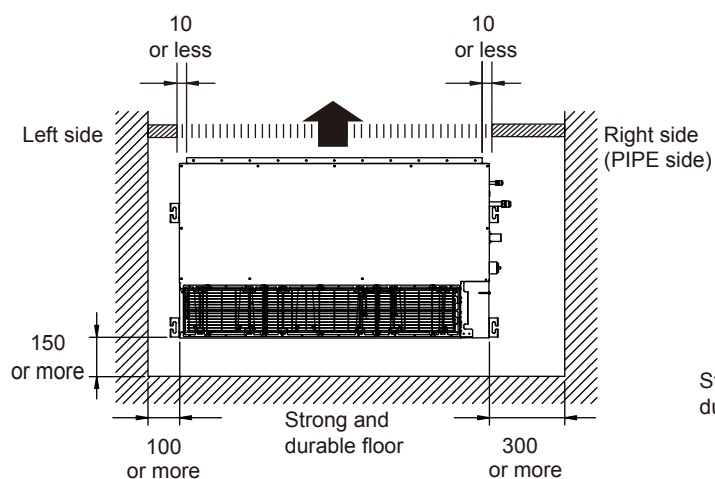
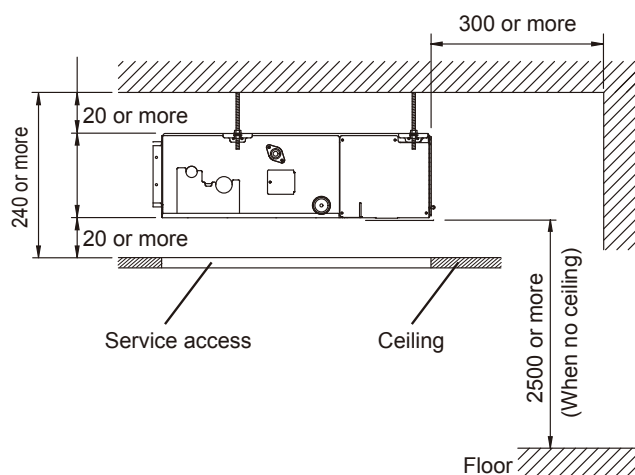
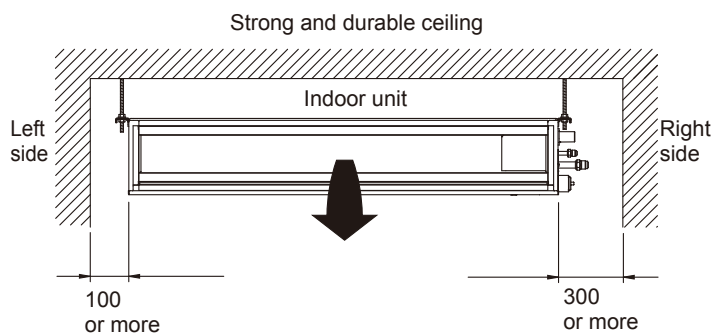


Bottom view

			AR*G18LL
①	Refrigerant pipe flare connection	Liquid	ø 6.35 mm (ø 1/4 in.)
②		Gas	ø 12.70 mm (ø 1/2 in.)
③	Drain hose connection	Drain hose	I.D. 25mm, O.D. 32mm (VP25)

Unit : mm

# INSTALLATION PLACE



## ■ MAINTENANCE SPACE

Unit : mm

Provide a service access for inspection purposes as shown below.

Do not place any wiring or illumination in the service space, as they will impede service.

