

# 11. EXTERNAL INPUT & OUTPUT

Connector	INPUT	OUTPUT	REMARKS
CN102	Control input	—	See external input/output settings for details.
CN103	—	Operation status output	
CN6	—	Fresh air control output	
CN10	—	Auxiliary heater output	

## 11-1. EXTERNAL INPUT

### ■ CONTROL INPUT (Operation/Stop or Forced stop)

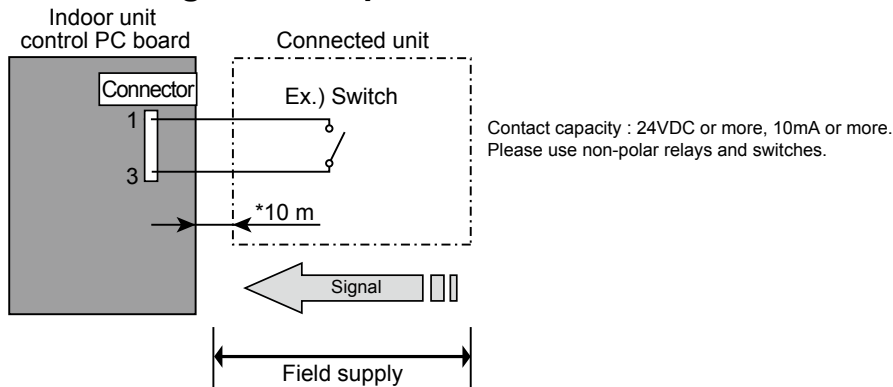
The air conditioner can be remotely operated by means of the following on-site work.

"Operation/Stop" mode or "Forced stop" mode can be selected with function setting of indoor unit.

Unit operation is started at the following contents by adding the contact input of a commercial ON/OFF switch to a connector on the external control PC board and turning it ON.

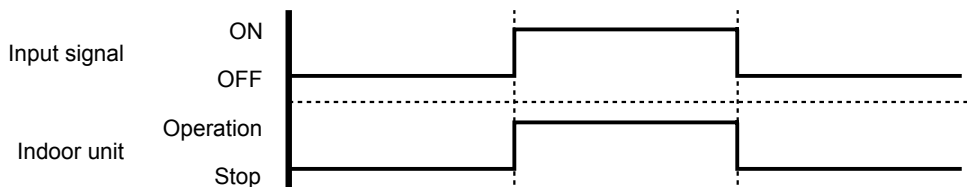
Unit operation	Initial setting after power is ON	Starting mode other than initial setting
Operation mode	Auto changeover	Mode at previous operation
Set temperature	24°C	Temperature at previous operation
Air flow mode	AUTO	Mode at previous operation
Up-down air direction (swing)	Standard air direction (swing OFF)	Air direction at previous operation
Left-right air direction (swing)	Standard air direction (swing OFF)	Air direction at previous operation

### ● Circuit diagram example

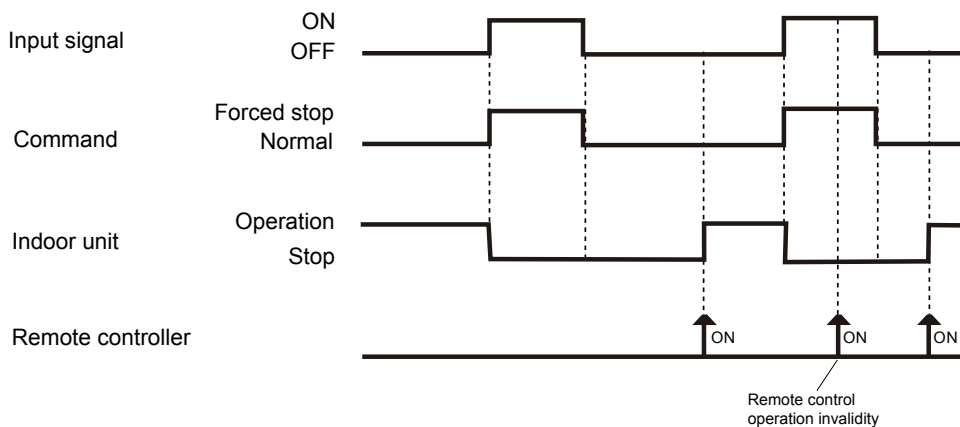


\* Make the distance from the PC board to the connected unit within 10m.

#### ● When function setting is in "Operation/Stop" mode



#### ● When function setting is in "Forced stop" mode



### ● Parts (Optional)

Model name
UTD-ECS5A

Wire (External input)

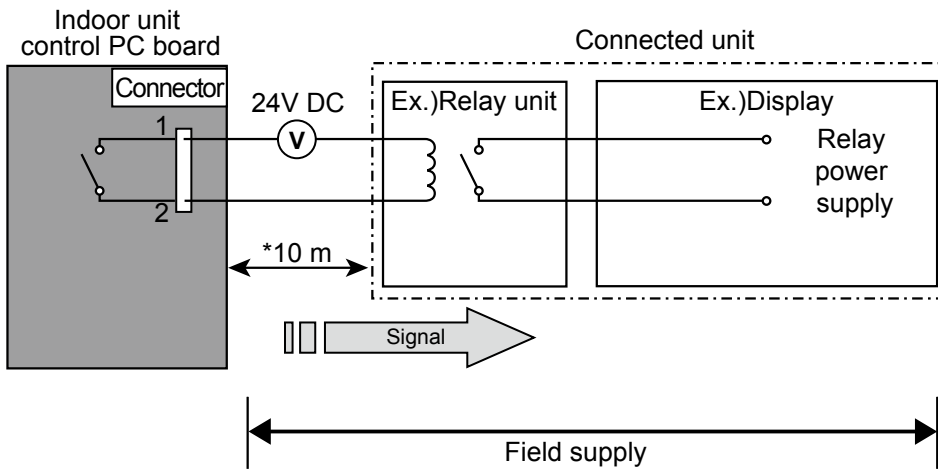


## 11-2. EXTERNAL OUTPUT

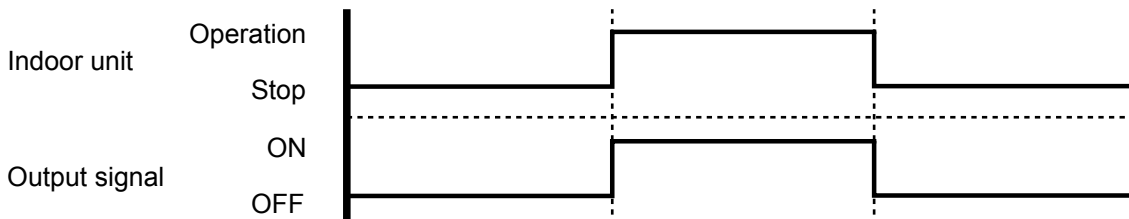
### ■ OPERATION STATUS OUTPUT

An air conditioner operation status signal can be output.

#### ● Circuit diagram example



\* Make the distance from the PC board to the connected unit within 10m.  
Relay spec. : Max.24VDC, 10mA to less than 500mA.



#### ● Parts (Optional)

Model name
UTD-ECS5A

Wire (External output)

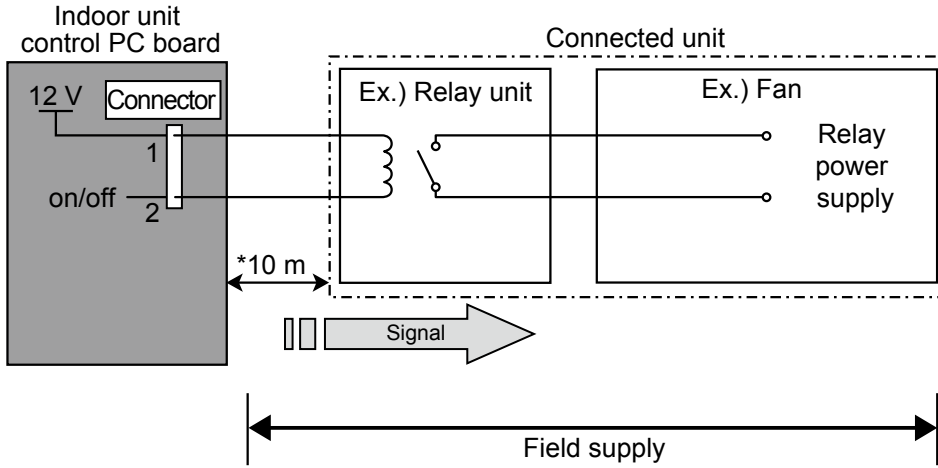


## ■ FRESH AIR CONTROL OUTPUT

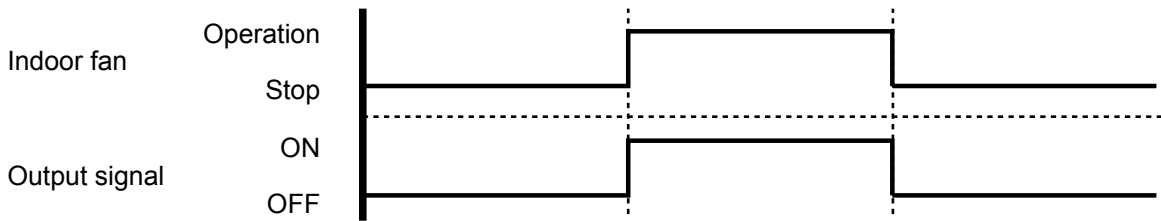
A signal linked to air conditioner indoor fan ON can be output.

\* However, signal becomes OFF during cold air prevention control operation.

### ● Circuit diagram example



\* Make the distance from the PC board to the connected unit within 10m.  
Relay spec. : Rated 12VDC, 50mA or less.



### ● Parts (Optional)

Model name
UTD-ECS5A

Wire (Fresh air output)



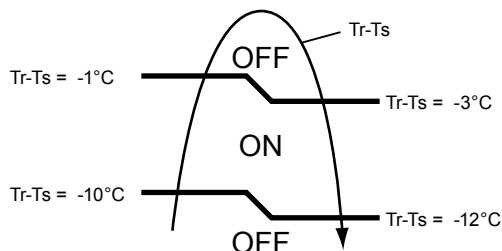
## ■ AUXILIARY HEATER OUTPUT

A signal is outputted from Connector when indoor fan and compressor is turned on under heating operation.

\*Signal output performance specifications are as shown on the right

Ex. When Set Temperature( $T_s$ ) is 22°C;

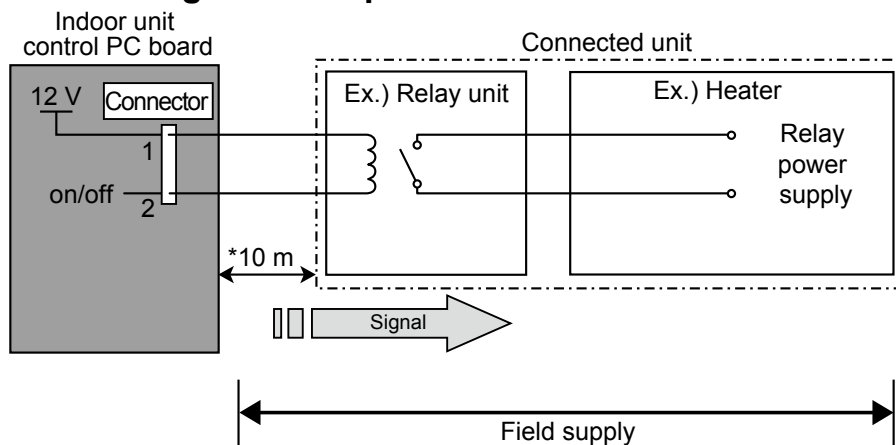
- and Room Temperature( $T_r$ ) increase above 12°C, signal output is on.
- and Room Temperature( $T_r$ ) increase above 21°C, signal output is off.
- and Room Temperature( $T_r$ ) decrease below 19°C, signal output is on.
- and Room Temperature( $T_r$ ) decrease below 10°C, signal output is off.



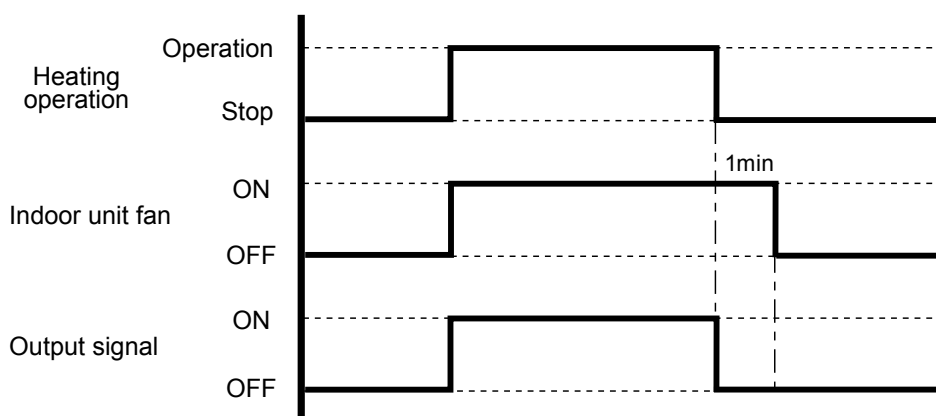
### ● Jumper wire (Indoor Unit)

This is used to continue indoor unit fan operation for 1 minute after thermo OFF in heating mode. 1 minute delay control set by cutting jumper wire on PCB.

### ● Circuit diagram example



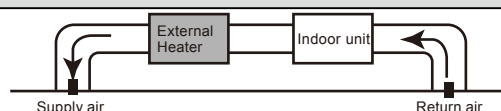
\* Make the distance from the PC board to the connected unit within 10m.  
Relay spec. : Rated 12VDC, 50mA or less.



### ⚠ CAUTION

Please place an external heater between the indoor unit and the outlet.

Please be sure to use delay control of the fan.



### ● Parts (Optional)

Model name
UTD-ECS5A

Wire (Heater output)

