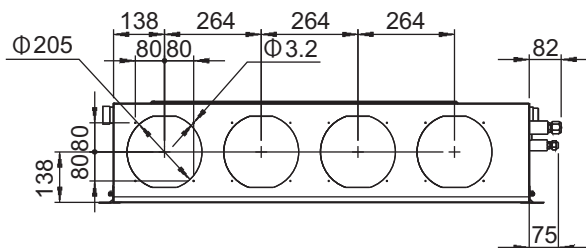


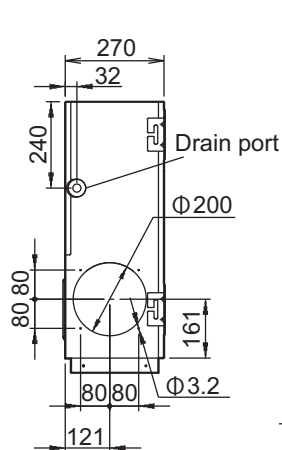
2. Dimensions

2-1. Model: ARYG24LMLA

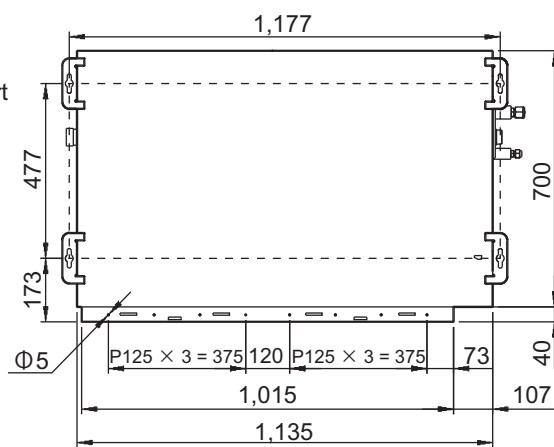
Unit: mm



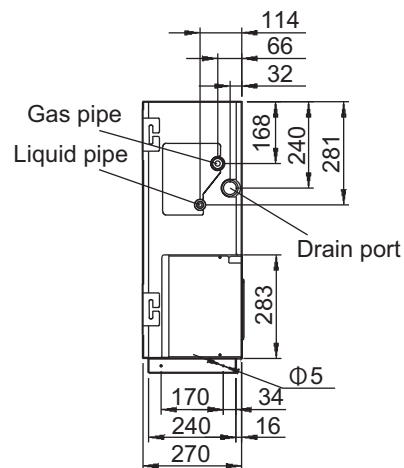
Front view



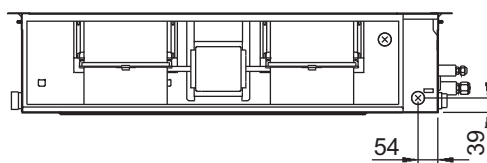
Side view (L)



Top view



Side view (R)



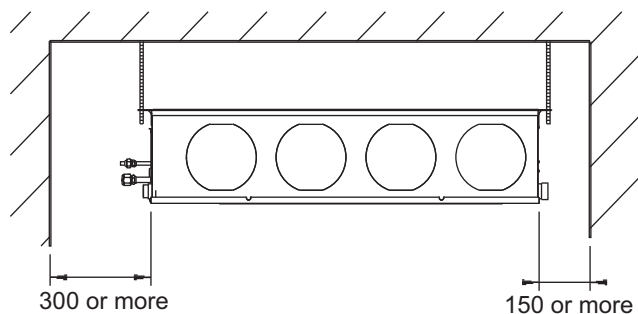
Rear view

2-2. Installation space requirement

Provide sufficient installation space for product safety.

■ Model: ARYG24LMLA

Unit: mm



2-3. Maintenance space requirement

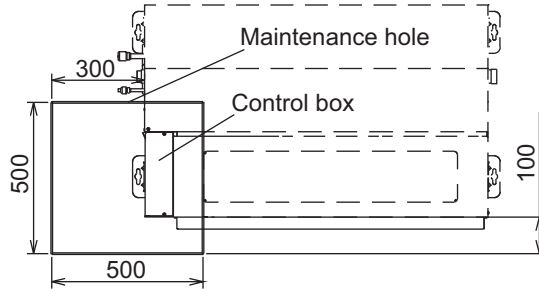
For future maintenance and service access, provide sufficient maintenance space.

NOTE: Do not place any wiring or illumination in the maintenance space, as they will impede service.

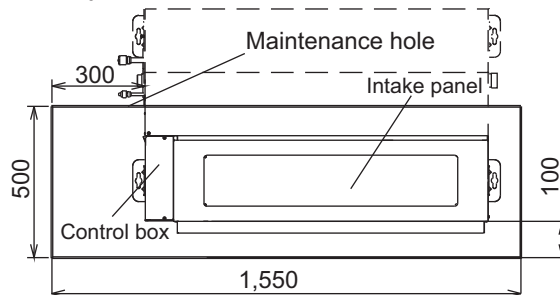
■ Model: ARYG24LMLA

Unit: mm

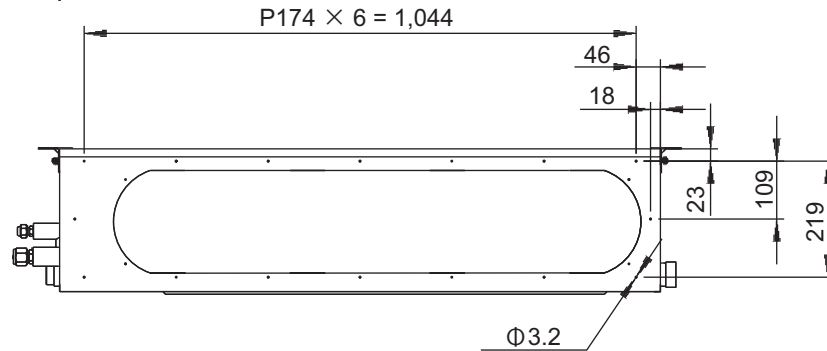
- Provide a service access for maintenance purposes.



- The service access necessary for fan units and filter maintenance.



- When using a square duct.



- Bottom air intake hole.

