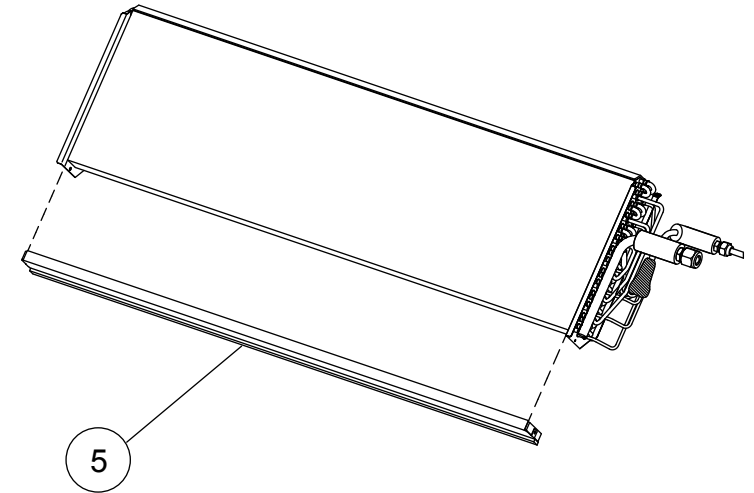
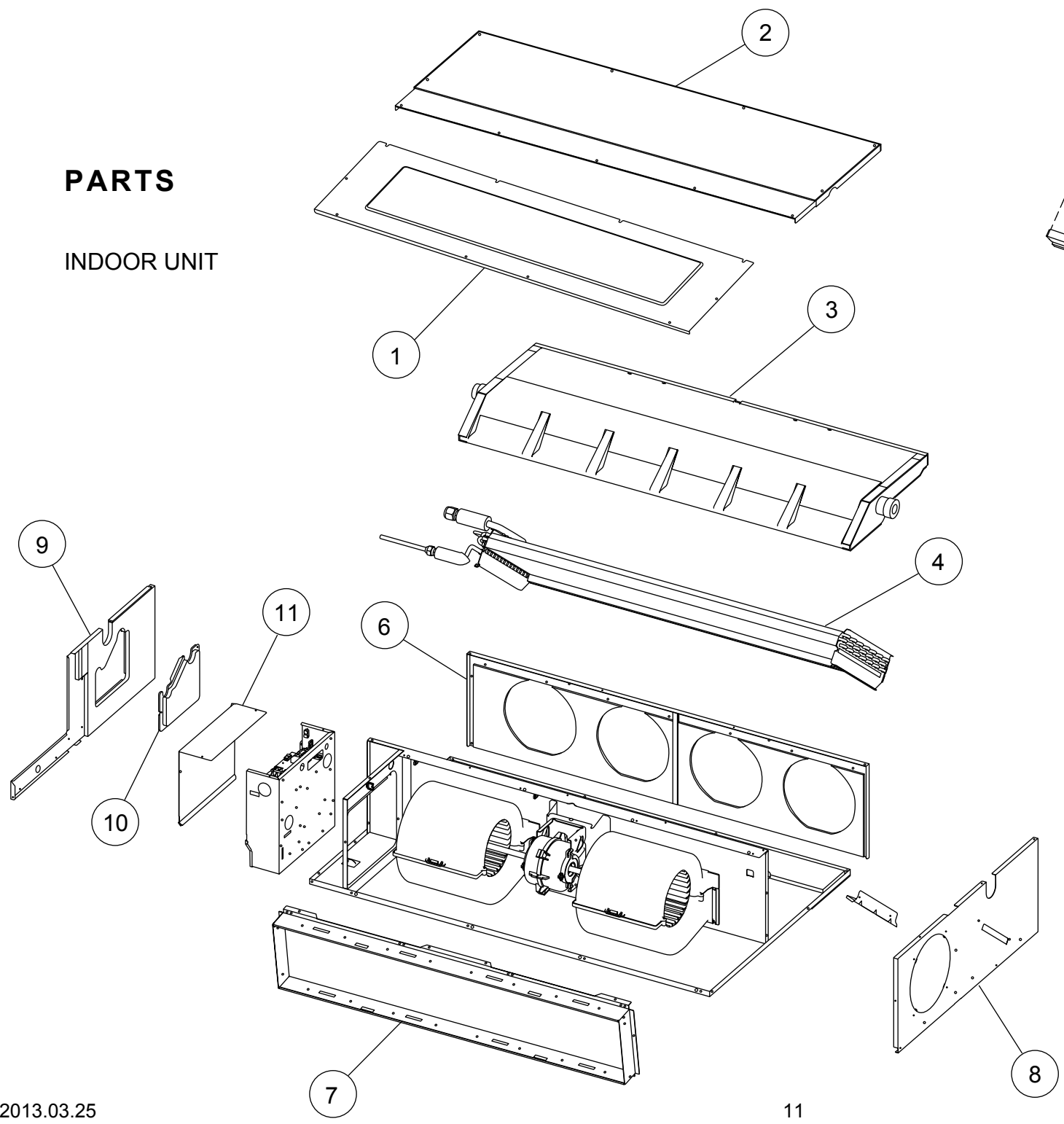


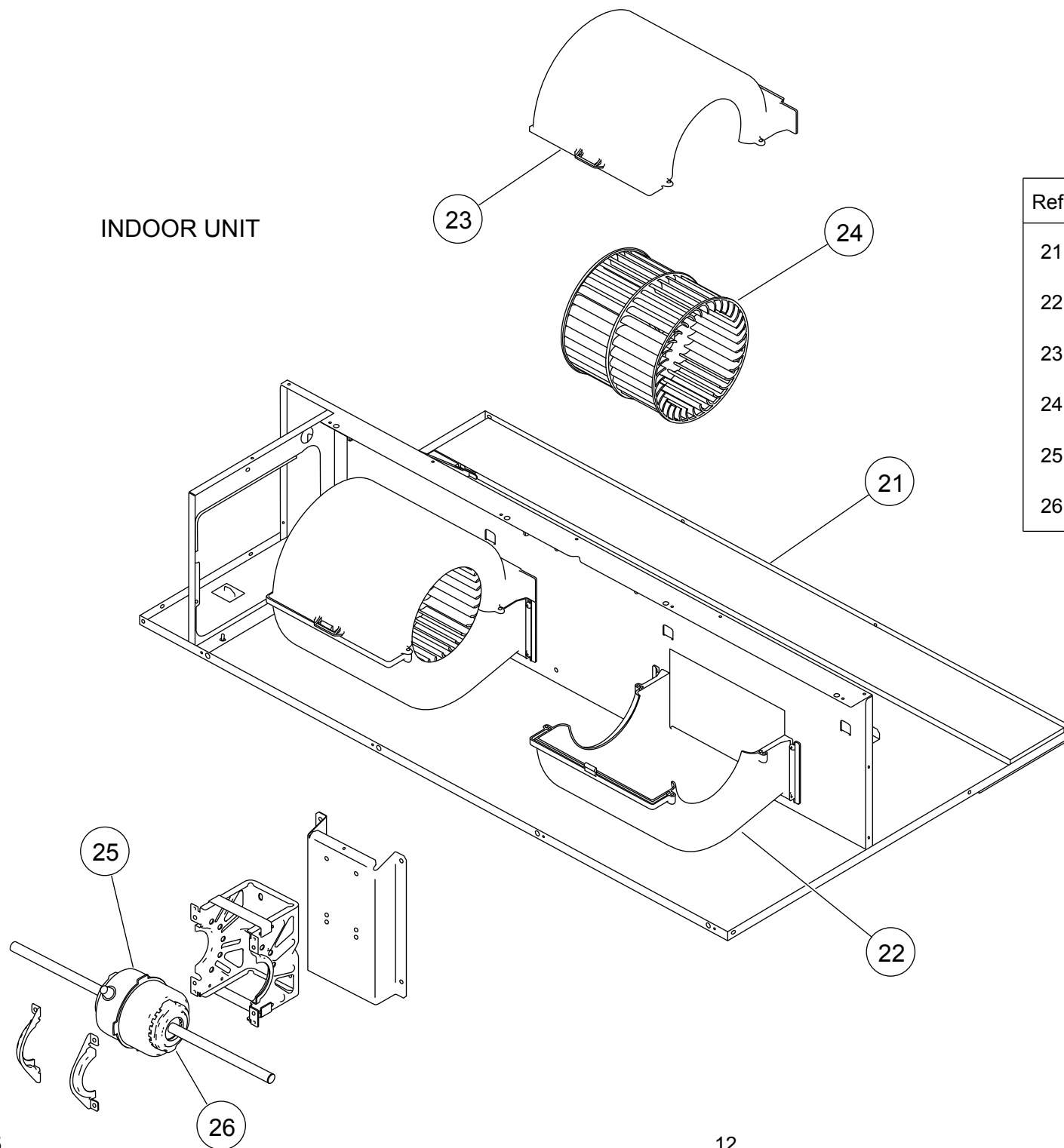
PARTS

INDOOR UNIT



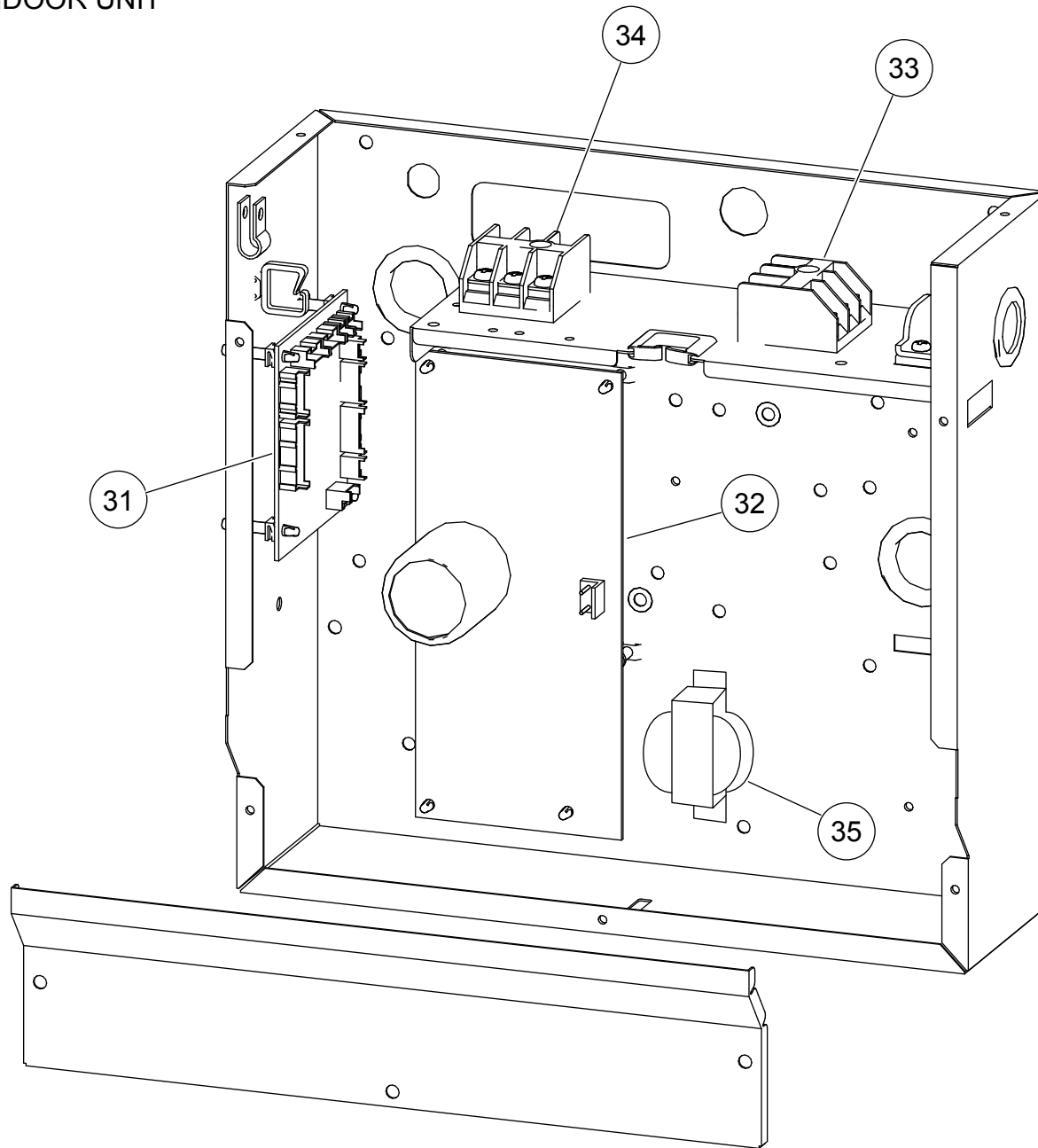
Ref.	Description	Part number
1	Intake Cover Sub Assy	9374512010
2	Main Panel Sub Assy	9374511013
3	Drain Pan Sub Assy	9374513017
4	Evaporator Total Assy	9374517268
5	Seal Panel Sub Assy	9374515011
6	Outlet Panel Sub Assy	9374510016
7	Intake Frame Assy	9374216017
8	Cabinet L Sub Assy	9374509010
9	Cabinet R Sub Assy	9374508013
10	Bracket Pipe Sub Assy	9374514014
11	Control Cover A Sub Assy	9374516025

INDOOR UNIT



Ref.	Description	Part number
21	Base Sub Assy	9374504015
22	Casing A	9374233021
23	Casing B	9374234028
24	Sirocco Fan Assy	9356531060
25	Fan Motor	9602433025
26	Rubber	9385102002

INDOOR UNIT



Ref.	Description	Part number
31	Main PCB	9709245323
32	Power Supply PCB	9707398373
33	Terminal 3P	9703345012
34	Terminal 3P	9306489045
35	Reactor Assy	9707457018
36	Remote Control	9318593013
--	Room Thermistor	9703299025
--	Pipe Thermistor	9703297021

