

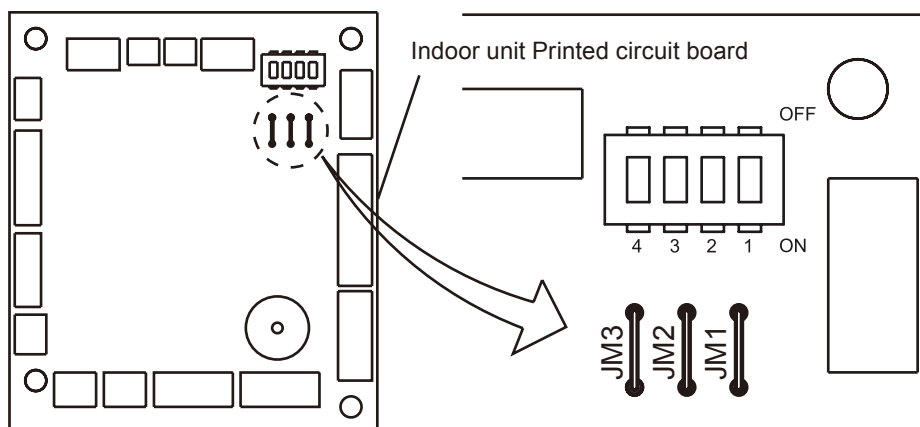
12. FUNCTION SETTINGS

12-1. INDOOR UNIT

INDOOR UNIT		
DIP SW	1	Remote controller address setting
	2	
	3	
	4	
Jumper Wire	JM1	Setting forbidden
	JM2	
	JM3	Fan delay setting

■ SWITCH POSITION

MAIN PCB



■ DIP-SW SETTING

● Remote controller address setting

A number of indoor units can be operated at the same time using a wired remote controller. Set the unit number of each indoor unit using the DIP switches on the indoor unit circuit board. (See the following table.)

The DIP switches are normally set to make the unit number 00.

(◆ . . . Factory setting)

Remote controller address	DIP switch No.			
	1	2	3	4
◆ 00	OFF	OFF	OFF	OFF
01	ON	OFF	OFF	OFF
02	OFF	ON	OFF	OFF
03	ON	ON	OFF	OFF
04	OFF	OFF	ON	OFF
05	ON	OFF	ON	OFF
06	OFF	ON	ON	OFF
07	ON	ON	ON	OFF
08	OFF	OFF	OFF	ON
09	ON	OFF	OFF	ON
10	OFF	ON	OFF	ON
11	ON	ON	OFF	ON
12	OFF	OFF	ON	ON
13	ON	OFF	ON	ON
14	OFF	ON	ON	ON
15	ON	ON	ON	ON

■ JUMPER WIRE SETTING

● Setting forbidden (JM1, JM2)

● Fan delay setting (JM3)

When the indoor unit is stopped while operating in conjunction with auxiliary heater, the indoor unit fan operation will continue for one minute.

(◆ . . .Factory setting)

JM 3	JM state
◆ Connect	Invalid
Disconnect	Valid

12-2. INDOOR UNIT (Setting by remote controller)

- The function settings of the control of the indoor unit can be changed by this procedure according to the installation conditions. Incorrect settings can cause the indoor unit to malfunction.
- After the power is turned on, perform the Function Setting according to the installation conditions using the remote controller.
- The settings may be selected between the following two: Function Number or Setting Value.
- Settings will not be changed if invalid numbers or setting values are selected.

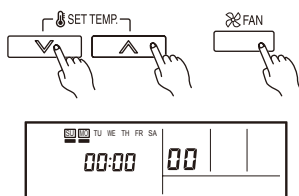
■ PREPARATION

- Turn on the power.
- * Before turning on the power of the indoor units, make sure the piping air-tight test and vacuuming have been conducted.
- * Also check again to make sure no wiring mistakes were made before turning on the power.

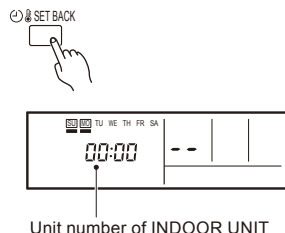
■ FUNCTION SETTING METHOD (for Wired remote controller)

● Setting method

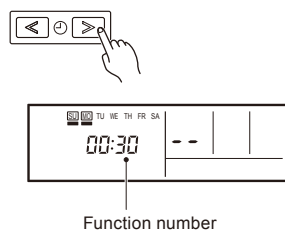
(1) Press the SET TEMP. buttons (▼) (▲) and FAN button simultaneously for more than 5 seconds to enter the function setting mode.



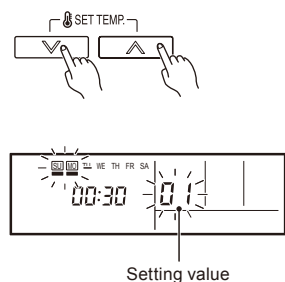
(2) Press the SET BACK button to select the indoor unit number.



(3) Press the Set time buttons to select the function number.



(4) Press the SET TEMP. buttons (▼) (▲) to select the setting value. The display flashes during setting value selection.



- (5) Press the TIMER SET button to confirm the setting. Press the TIMER SET button for a few seconds until the setting value stops flashing. If the setting value display changes or if “-” is displayed when the flashing stops, the setting value has not been set correctly. (An invalid setting value may have been selected for the indoor unit.)
- (6) Repeat steps 2 to 5 to perform additional settings. Press the SET TEMP. buttons (∇) (∧) and FAN button simultaneously again for more than 5 seconds to cancel the function setting mode. In addition, the function setting mode will be automatically canceled after 1 minute if no operation is performed.
- (7) After completing the FUNCTION SETTING, be sure to turn off the power and turn it on again.

⚠ CAUTION
• After turning off the power, wait 30 seconds or more before turning on it again. The Function Setting will not become active unless the power is turned off then on again.

■ CONTENTS OF FUNCTION SETTING

- Follow the instructions in the Local Setup Procedure, which is supplied with the remote control, in accordance with the installed condition.
After the power is turned on, perform the Function Setting on the remote control.
- The settings may be selected between the following two: Function Number or Setting Value.
- Settings will not be changed if invalid numbers or setting values are selected.

1)	Filter sign
2)	Static pressure
3)	Cooler room temperature correction
4)	Heater room temperature correction
5)	Auto restart
6)	Indoor room temperature sensor switching function
7)	Cool air prevention
8)	Remote controller signal code
9)	External input control
10)	Room temperature control switching
11)	Indoor unit fan control for energy saving

1) Filter sign

The indoor unit has a sign to inform the user that it is time to clean the filter. Select the time setting for the filter sign display interval in the table below according to the amount of dust or debris in the room. If you do not wish the filter sign to be displayed, select the setting value for “No indication”.

(◆ . . . Factory setting)

Setting Description	Function Number	Setting Value
Standard (2500 hours)	11	00
Long interval (4400 hours)		01
Short interval (1250 hours)		02
No indication		03

2) Setting the static pressure

Select appropriate static pressure according to the installation conditions. Refer to the technical manual for details or follow the instructions of the duct designer.

(◆ . . . Factory setting)

Setting Description	Function Number	Setting Value
Normal	21	00
High static pressure 1		01
High static pressure 2		02
High static pressure 3		03

3) Setting the cooler room temperature correction

Depending on the installed environment, the room temperature sensor may require a correction. The settings may be selected as shown in the table below.

(◆ . . . Factory setting)

Setting Description	Function Number	Setting Value
Standard	30	00
Slightly lower control		01
Lower control		02
Warmer control		03

4) Setting the heater room temperature correction

Depending on the installed environment, the room temperature sensor may require a correction. The settings may be changed as shown in the table below.

(◆ . . . Factory setting)

Setting Description	Function Number	Setting Value
◆ Standard	31	00
Lower control		01
Slightly warmer control		02
Warmer control		03

5) Auto restart

Enable or disable automatic system restart after a power outage.

(◆ . . . Factory setting)

Setting Description	Function Number	Setting Value
◆ Yes	40	00
No		01

* Auto restart is an emergency function such as for power failure etc.
Do not start and stop the indoor unit by this function in normal operation.
Be sure to operate by the control unit, or external input device.

6) Indoor room temperature sensor switching function

(Only for Wired remote controller)

The following settings are needed when using the control by Wired remote controller temperature sensor.

(◆ . . . Factory setting)

Setting Description	Function Number	Setting Value
◆ No	42	00
Yes		01

* If setting value is "00":
Room temperature is controlled by the indoor unit temperature sensor.

* If setting value is "01":
Room temperature is controlled by either indoor unit temperature sensor or remote controller unit sensor.

7) Cool air prevention

This setting is used to set the fan speed when the compressor stops once the room temperature has reached the set temperature during heating operation.

(◆ . . . Factory setting)

Setting Description	Function Number	Setting Value
◆ Super low	43	00
Follow the setting on the remote controller (corresponding to ventilation)		01

8) Remote controller signal code

Change the indoor unit Signal Code, depending on the remote controllers.

(◆ . . . Factory setting)

Setting Description	Function Number	Setting Value
◆ A	44	00
B		01
C		02
D		03

9) External input control

"Operation/Stop" mode or "Forced stop" mode can be selected.

(◆ . . . Factory setting)

Setting Description	Function Number	Setting Value
◆ Operation/Stop mode	46	00
(Setting forbidden)		01
Forced stop mode		02

10) Room temperature control switching

This setting is used to set the room temperature control method when the wired remote controller is selected by the Indoor Room Temperature Sensor Switching Function.

(◆ . . . Factory setting)

Setting Description	Function Number	Setting Value
◆ Control by the sensors of both the indoor unit and the wired remote controller.	48	00
Control only by the sensor of the wired remote controller		01

11) Indoor unit fan control for energy saving (Only cooling mode)

Enable or disable indoor unit fan control when the outdoor unit is stopped.

(◆ . . . Factory setting)

Setting Description	Function Number	Setting Value
No	49	00
◆ Yes		01

* If setting value is "00":

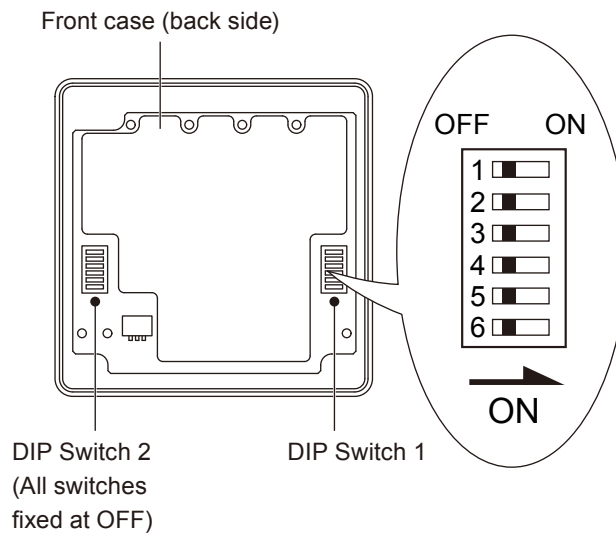
When the outdoor unit is stopped, the indoor unit fan operates following the setting on the remote controller continuously.

* If setting value is "01":

When the outdoor unit is stopped, the indoor unit fan operates at very low speed intermittently.

12-3. WIRED REMOTE CONTROLLER

■ SWITCH POSITION



■ DIP SWITCH 1 SETTING

DIP Switch 1	SW1	Forbidden*
	SW2	Dual remote controller setting
	SW3	Forbidden*
	SW4	Forbidden*
	SW5	Forbidden*
	SW6	Memory backup setting

*Switches are fixed at OFF.

● Dual remote controller setting

Set the remote controller SW2 according to the following table.

(◆... Factory setting)

	Number of remote controller	
	Primary unit	Secondary unit
◆ 1 (Normal)	SW2 OFF	SW2 —
2 (Dual)	SW2 OFF	SW2 ON

● Memory backup setting

Set to ON to use batteries for the memory backup. If batteries are not used, all of the settings stored in memory will be deleted if there is a power failure.

(◆... Factory setting)

◆ SW6	Memory backup
OFF	Invalidity
ON	Validity