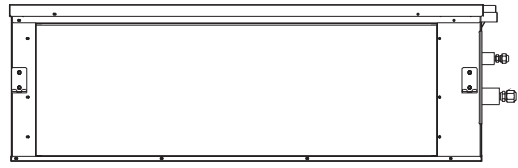
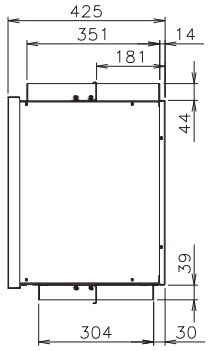


4. DIMENSIONS

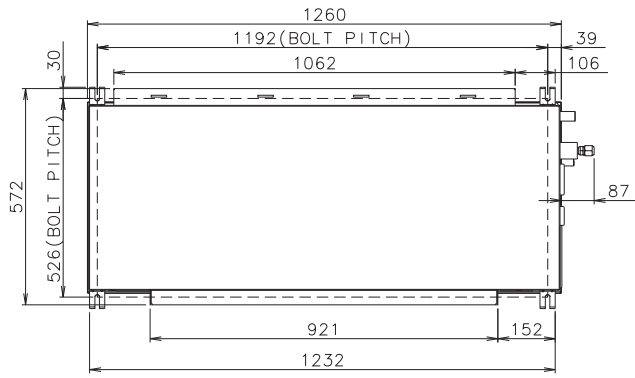
■ MODEL: AR*G60LHTA



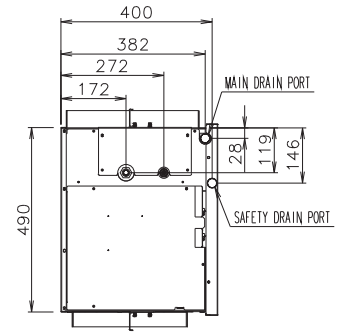
REAR VIEW



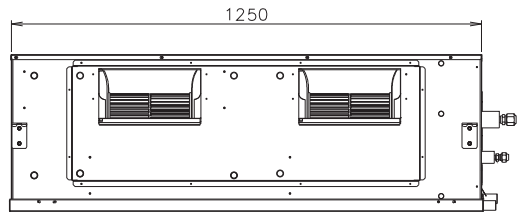
SIDE VIEW (L)



AIR FLOW
TOP VIEW



SIDE VIEW (R)



FRONT VIEW

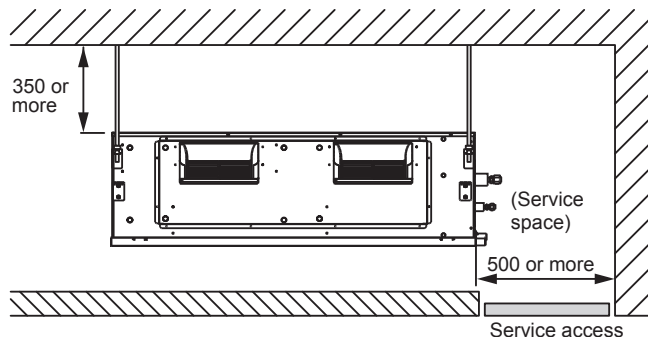
(Unit : mm)

■ INSTALLATION PLACE

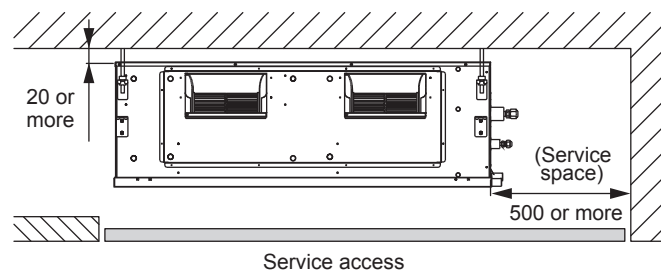
(Unit : mm)

●AR*G60LHTA

Installation by which service space is made on top of the unit (recommended).



Installation by which service is carried out from the bottom of the unit.



■ MAINTENANCE SPACE

Provide a maintenance space for inspection purposes as shown below.
Do not place any wiring or illumination in the service space, as they will impede service.

(Unit : mm)

●AR*G60LHTA

