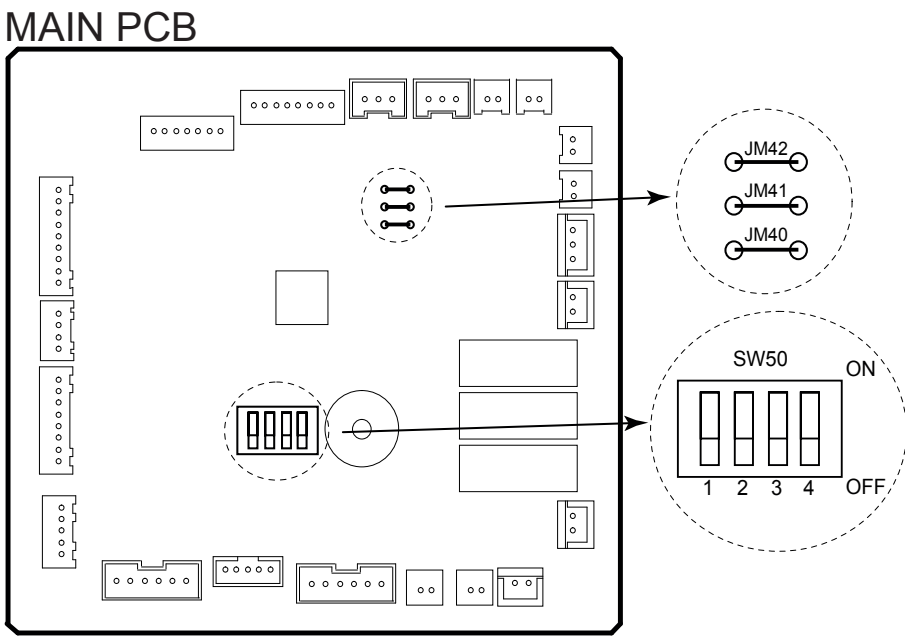


12. FUNCTION SETTINGS

12-1. INDOOR UNIT

INDOOR UNIT		
DIP-SW50	1	Remote controller address setting
	2	
	3	
	4	
Jumper Wire	JM40	Setting forbidden
	JM41	
	JM42	Fan delay setting

SWITCH POSITION



■ DIP-SW SETTING

● Remote controller address setting (SW50)

A number of indoor units can be operated at the same time using a single remote controller. Set the unit number of each indoor unit using the DIP switches on the indoor unit circuit board. (See the following table.)

The DIP switches are normally set to make the unit number 00.

(◆ . . .Factory setting)

Remote controller address	DIP switch No.			
	1	2	3	4
◆ 00	OFF	OFF	OFF	OFF
01	ON	OFF	OFF	OFF
02	OFF	ON	OFF	OFF
03	ON	ON	OFF	OFF
04	OFF	OFF	ON	OFF
05	ON	OFF	ON	OFF
06	OFF	ON	ON	OFF
07	ON	ON	ON	OFF
08	OFF	OFF	OFF	ON
09	ON	OFF	OFF	ON
10	OFF	ON	OFF	ON
11	ON	ON	OFF	ON
12	OFF	OFF	ON	ON
13	ON	OFF	ON	ON
14	OFF	ON	ON	ON
15	ON	ON	ON	ON

■ JUMPER WIRE SETTING

● JM40, 41 setting forbidden

● Fan delay setting (JM42)

When the indoor unit is stopped while operating in conjunction with auxiliary heater, the indoor unit fan operation will continue for one minute.

(◆ . . .Factory setting)

JM 42	JM state
◆ Connect	Invalid
Disconnect	Valid

12-2. INDOOR UNIT (Setting by remote controller)

- The function settings of the control of the indoor unit can be changed by this procedure according to the installation conditions. Incorrect settings can cause the indoor unit to malfunction.
- After the power is turned on, perform The Function Setting according to the installation conditions using the remote controller.
- The settings may be selected between the following two: Function Number or Setting Value.
- Settings will not be changed if invalid numbers or setting values are selected.

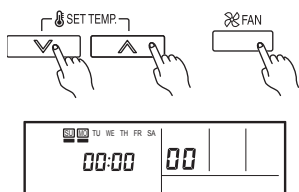
■ PREPARATION

- Turn on the power.
- * Before turning on the power of the indoor units, make sure the piping air-tight test and vacuuming have been conducted.
- * Also check again to make sure no wiring mistakes were made before turning on the power.

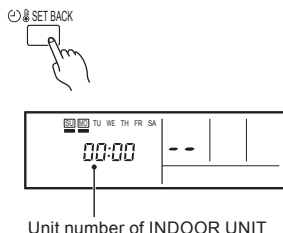
■ FUNCTION SETTING METHOD (for Wired remote controller)

● Setting method

(1) Press the SET TEMP. buttons (▼) (▲) and FAN button simultaneously for more than 5 seconds to enter the function setting mode.

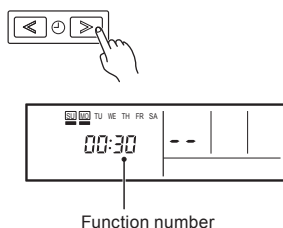


(2) Press the SET BACK button to select the indoor unit number.



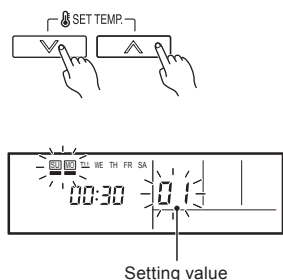
Unit number of INDOOR UNIT

3) Press the Set time buttons to select the function number.



Function number

(4) Press the SET TEMP. buttons (▼) (▲) to select the setting value. The display flashes during setting value selection.



Setting value

- (5) Press the TIMER SET button to confirm the setting. Press the TIMER SET button for a few seconds until the setting value stops flashing. If the setting value display changes or if “-” is displayed when the flashing stops, the setting value has not been set correctly. (An invalid setting value may have been selected for the indoor unit.)
- (6) Repeat steps 2 to 5 to perform additional settings. Press the SET TEMP. buttons (▼) (▲) and FAN simultaneously again for more than 5 seconds to cancel the function setting mode. In addition, the function setting mode will be automatically canceled after 1 minute if no operation is performed.
- (7) After completing the FUNCTION SETTING, be sure to turn off the power and turn it on again.

⚠ CAUTION

- After turning off the power, wait 30 seconds or more before turning on it again. The Function Setting will not become active unless the power is turned off then on again.

■ CONTENTS OF FUNCTION SETTING

- Follow the instructions in the Local Setup Procedure, which is supplied with the remote control, in accordance with the installed condition.
After the power is turned on, perform the Function Setting on the remote control.
- The settings may be selected between the following two: Function Number or Setting Value.
- Settings will not be changed if invalid numbers or setting values are selected.

1)	Filter sign
2)	Static pressure
3)	Room temperature control for cooling
4)	Room temperature control for heating
5)	Auto restart
6)	Room temperature sensor switching
7)	Cool air prevention
8)	External input control
9)	Room temperature sensor switching (Aux.)

1) Filter sign

Select appropriate intervals for displaying the filter sign on the indoor unit according to the estimated amount of dust in the air of the room.

If the indication is not required, select "No indication" (03)..

(◆ . . . Factory setting)

Setting description	Function number	Setting value
Standard (2500 hours)	11	00
Long interval (5000 hours)		01
Short interval (1250 hours)		02
No indication		03

2) Static pressure

Select the appropriate static pressure according to the installation conditions..

(◆ . . . Factory setting)

Setting description	Function number	Setting value
Normal (60Pa)	21	00
Static pressure 1 (100Pa)		02
Static pressure 2 (150Pa)		03
Static pressure 3 (200Pa)		04
Static pressure 4 (250Pa)		05

3) Room temperature control for cooling

Depending on the installed environment, the room temperature sensor may require correction. The settings may be selected as shown in the table below.

(◆...Factory setting)

Setting description	Function number	Setting value
◆ Standard	30	00
Higher control		01
Slightly higher control		02
Slightly lower control		03
Lower control		04

4) Room temperature control for heating

Depending on the installed environment, the room temperature sensor may require correction. The settings may be changed as shown in the table below.

(◆...Factory setting)

Setting description	Function number	Setting value
◆ Standard	31	00
Higher control		01
Slightly higher control		02
Slightly lower control		03
Lower control		04

5) Auto restart

Enable or disable automatic restart after a power interruption.

(◆...Factory setting)

Setting description	Function number	Setting value
◆ Enable	40	00
Disable		01

* Auto restart is an emergency function such as for power outage etc. Do not attempt to use this function in normal operation. Be sure to operate the unit by remote controller or external device..

6) Room temperature sensor switching

(Only for wired remote controller)

When using the Wired remote controller temperature sensor, change the setting to "Both" (01).

(◆...Factory setting)

Setting description	Function number	Setting value
◆ Indoor unit	42	00
Both		01

00: Sensor on the indoor unit is active.

01: Sensors on both indoor unit and wired remote controller are active.

*Remote controller sensor must be turned on by using the remote controller.

7) Cool air prevention

This setting is to disable the cold air prevention function during heating operation. When disabled, the fan setting will always follow the setting on the remote controller. (Excluding defrost mode)

(◆...Factory setting)

Setting description	Function number	Setting value
◆ Enable	43	00
Disable		01

8) External input control

"Operation/Stop" mode or "Forced stop" mode can be selected.

(◆ . . . Factory setting)

	Setting description	Function number	Setting value
◆	Operation/Stop mode	46	00
	(Setting forbidden)		01
	Forced stop mode		02

9) Room temperature sensor switching (Aux.)

To use the temperature sensor on the wired remote controller only, change the setting to "Wired remote controller" (01). This function will only work if the function setting 42 is set at "Both" (01)

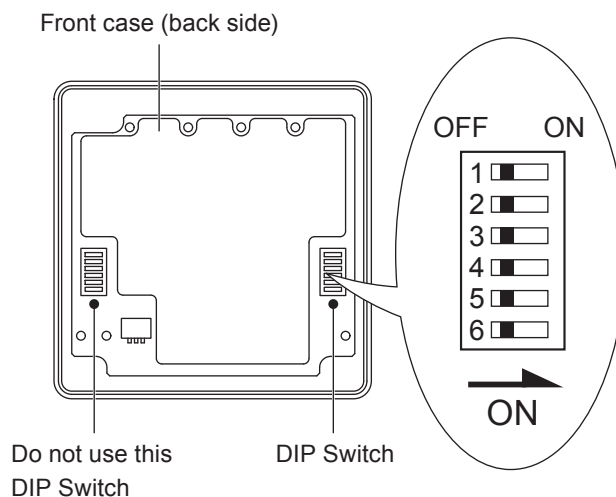
(◆ . . . Factory setting)

	Setting description	Function number	Setting value
◆	Both	48	00
	Wired remote controller		01

12-3. WIRED REMOTE CONTROLLER

DIP SW	1	Can not be used. (Do not change)
	2	Dual remote controller setting
	3	Can not be used. (Do not change)
	4	Can not be used. (Do not change)
	5	Can not be used. (Do not change)
	6	Memory backup setting

■ SWITCH POSITION



■ DIP SWITCH SETTING

● Dual remote controller setting

Set the remote controller DIP switch No.2 according to the following table.

(◆...Factory setting)

	Number of remote controller	Primary unit	Secondary unit
		DIP-SW No.2	DIP-SW No.2
◆	1 (Normal)	OFF	—
	2 (Dual)	OFF	ON

● Memory backup setting

Set to ON to use batteries for the memory backup. If batteries are not used, all of the settings stored in memory will be deleted if there is a power failure.

(◆...Factory setting)

	DIP-SW No.6	Memory backup
◆	OFF	Invalidity
	ON	Validity