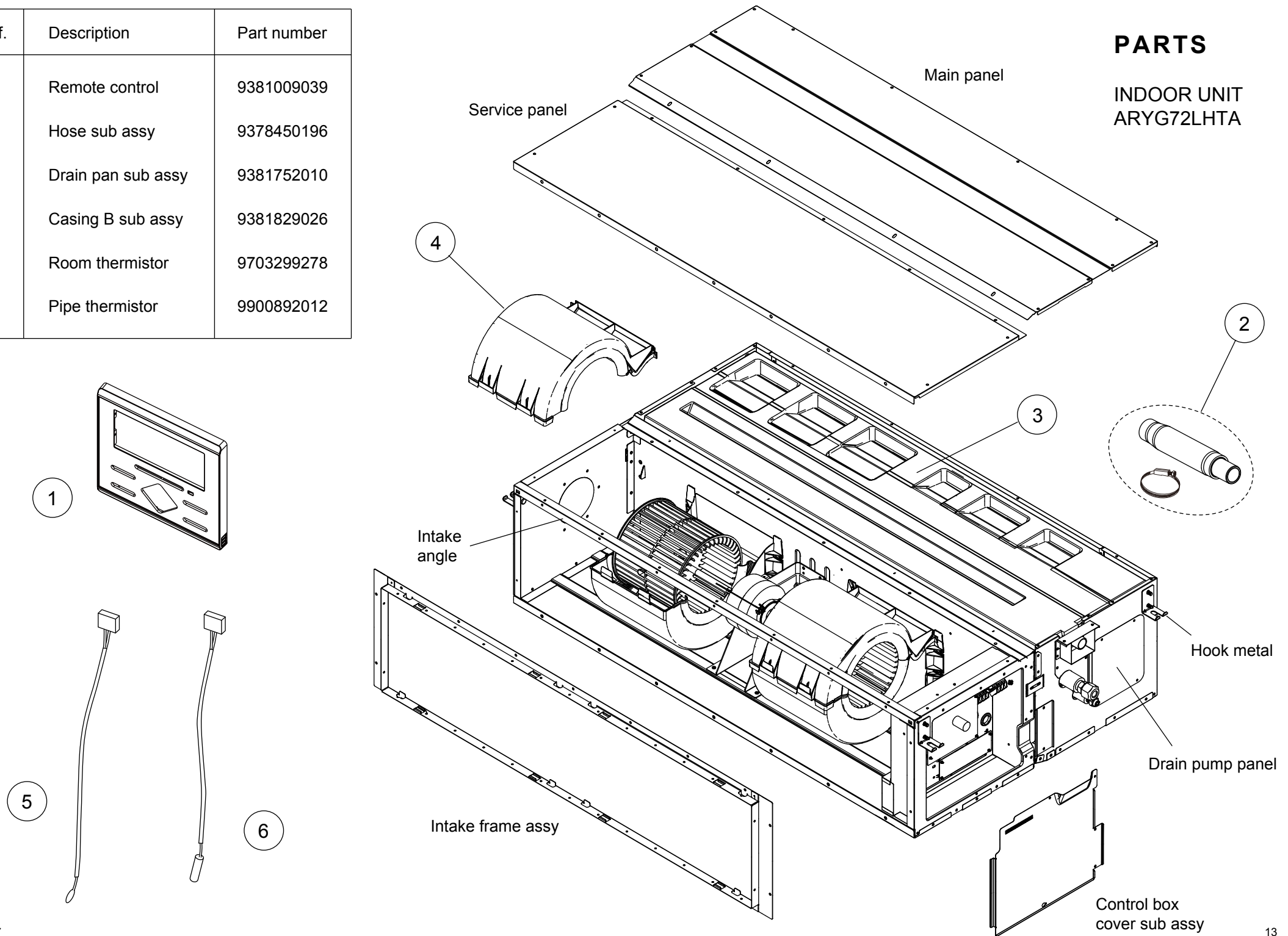


Ref.	Description	Part number
1	Remote control	9381009039
2	Hose sub assy	9378450196
3	Drain pan sub assy	9381752010
4	Casing B sub assy	9381829026
5	Room thermistor	9703299278
6	Pipe thermistor	9900892012

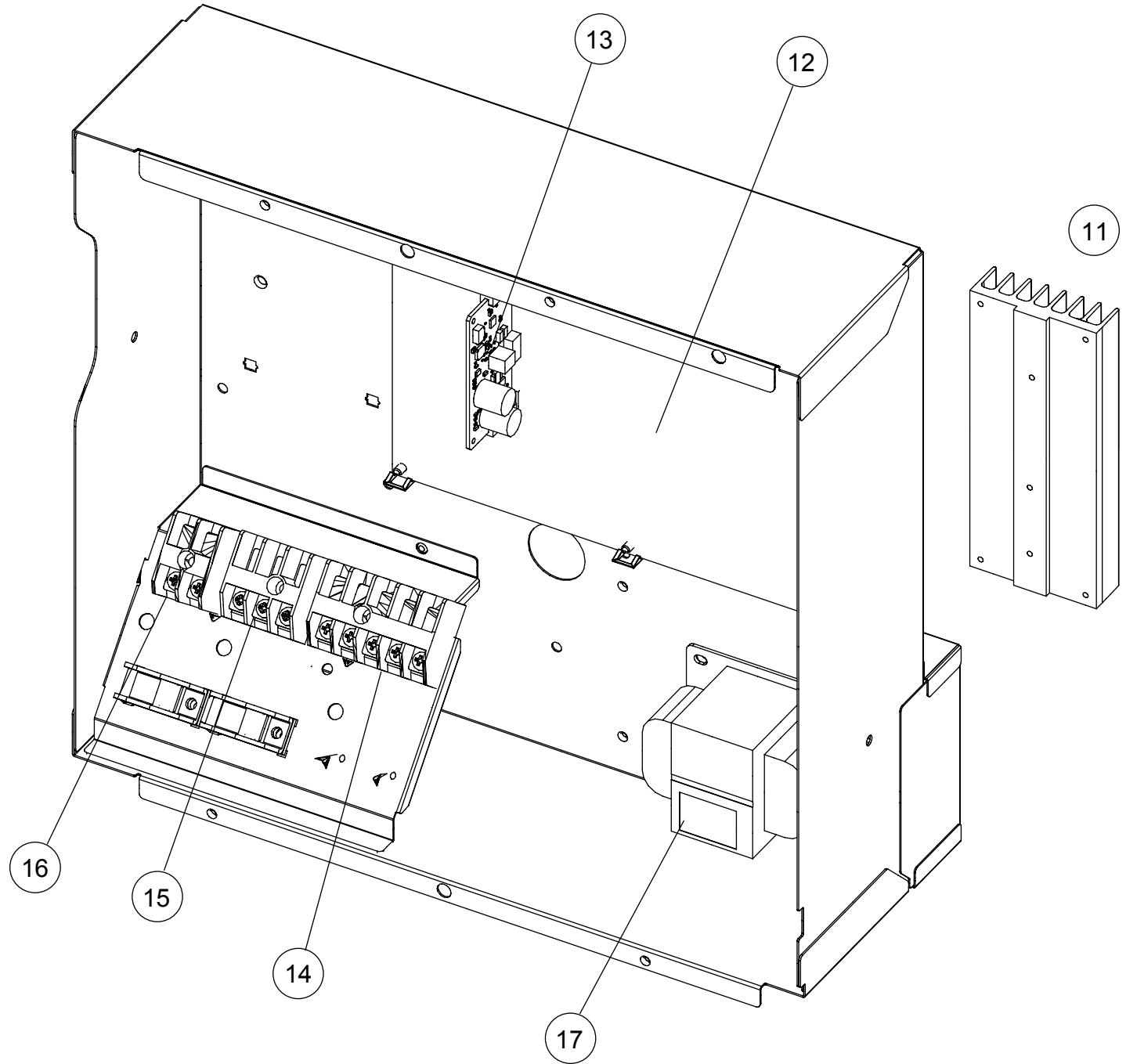
## PARTS

INDOOR UNIT  
ARYG72LHTA



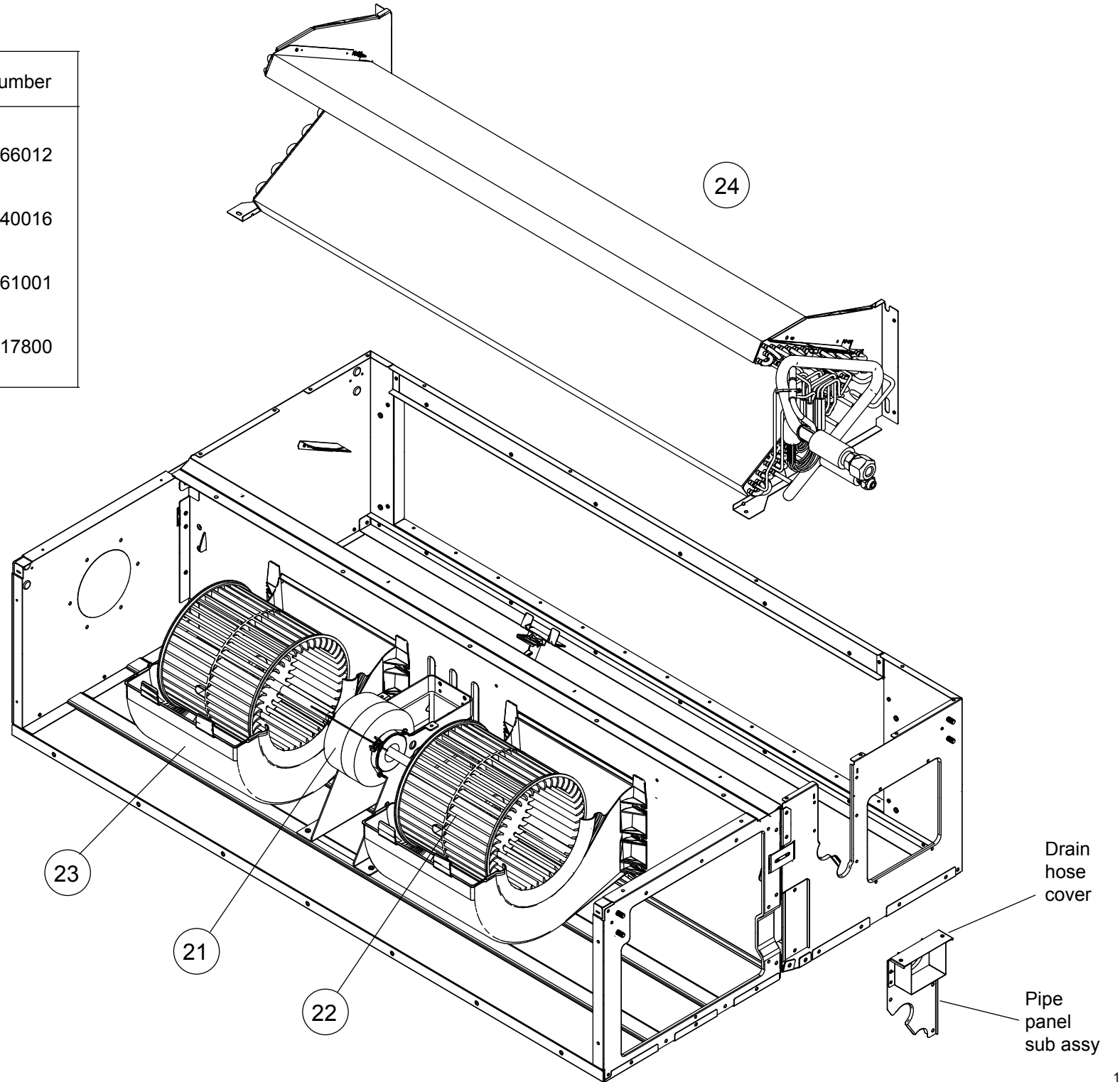
INDOOR UNIT  
ARYG72LHTA

Ref.	Description	Part number
11	Heatsink	9382646004
12	Main PCB	9710630002
13	Communication PCB	9710019005
14	Terminal (remote)	9900896003
15	Terminal (serial)	9900568009
16	Terminal (power)	9703873027
17	Reactor assy	9900711016

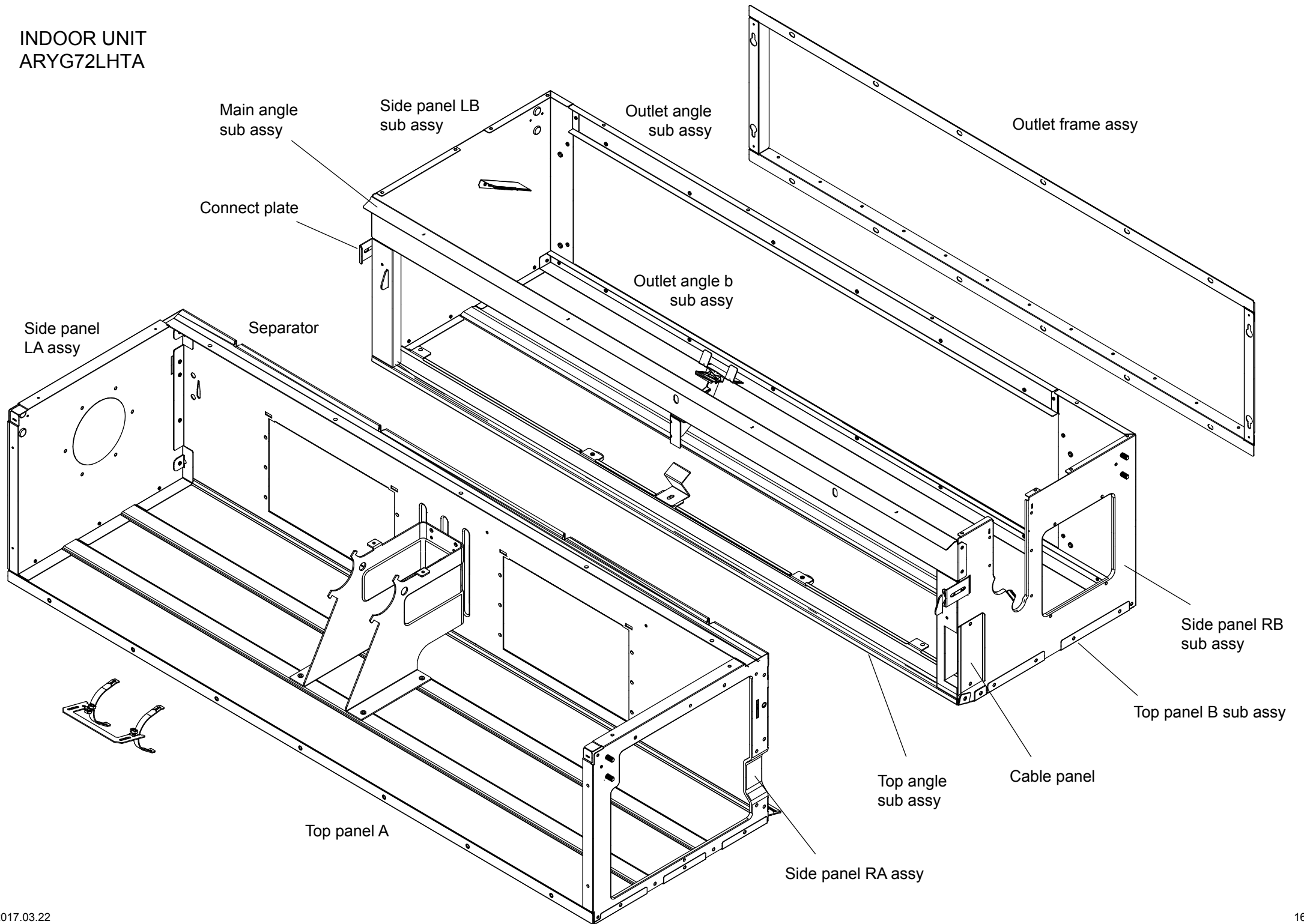


Ref.	Description	Part number
21	Fan motor	9603566012
22	Sirocco fan assy	9381440016
23	Casing A	9381561001
24	Evaporator total assy	9374517800

INDOOR UNIT  
ARYG72LHTA



INDOOR UNIT  
ARYG72LHTA



# CAUTION

We will change the specification of parts.  
 With this change, we will not change the MODEL NAME of the product.  
 Instead, add the revision code to the nameplate.  
 As a result, the parts list of the service parts will be changed.

	Serial No.
Revision code : None	R000001 ~ R099999
Revision code : A	R100001 ~ R199999

Please identify it by serial number and revision code.

## Carton label

Revision Code : None

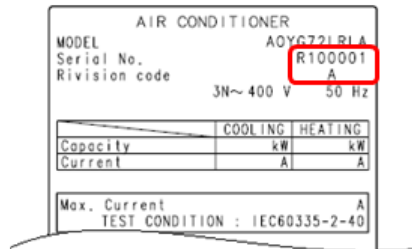
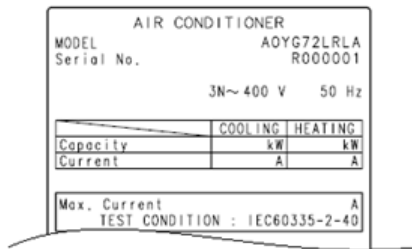
Revision Code : A



## Label rating

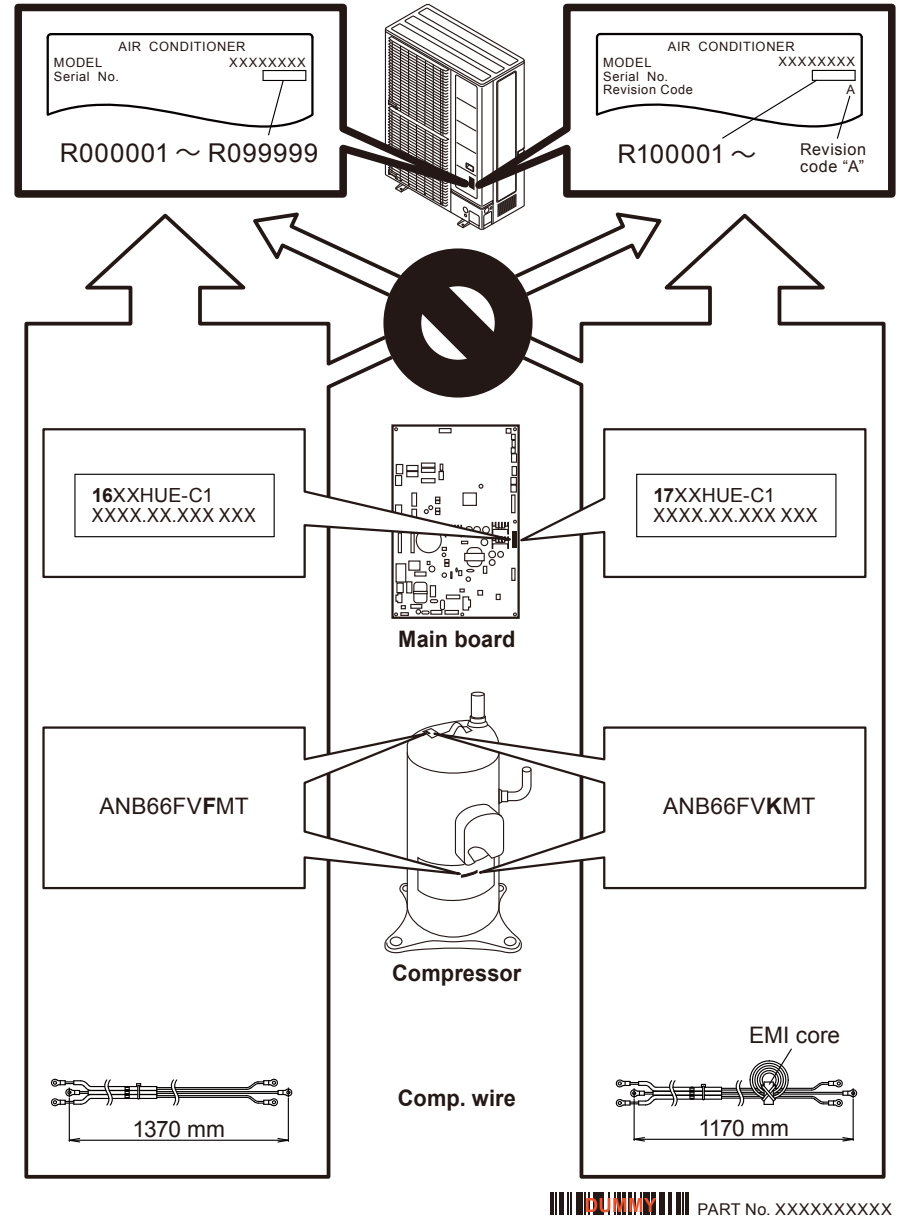
Revision Code : None

Revision Code : A



Leaflet attached with service parts

## Confirm the serial number before exchange parts.



## Change parts list

Ref. No.	Description		Revision code : None	Revision code : A	Remarks
	name	note			
24	MAIN PCB	(service unit)	9710851025 K16GX-1604SUE-C1	9710851056 K16GX-1701SUE-C1	Leaflet ※ attached
32	FILTER PCB		9709919033 K11CB-1600HUE-FLO	9710417016 K15CL-1600HUE-FLO	
33	POWER PCB		9710771019 K16HC-1601HUE-P0	None	
34	POWER PCB HOLDER		9382541002 PPE/PS 5VA	None	
41	POWER DIODE		0001113013 DF60LA160	None	
42	CT PCB		9708938028 K11BN-1600HUE-S0	None	
43	REACTOR ASSY(INV)		9900748012 30A 2MH L390 DPC	9900748005 30A 2MH DPC	
44	INVERTER PCB	(service unit)	9709682012 K11BX-1603HUE-TR1-SV	9709682098 K15CB-1600HUE-TR1-SV	
45	HEAT SINK A		9382538002 A6063S	9382538019 A6063S	
46	HEAT SINK B		9382539009 A6063S	None	
-	HEAT SINK THERMISTOR		9900518004 PT2EP-41F-F1-1	None	
79	COMPRESSOR SUB ASSY	(service unit)	9382796006 ANB66FVFM T	9382796013 ANB66FVKMT	Leaflet ※ attached
NEW	WIRE(INVERTER COMP)	(service unit)	9382819002 AJ*072-090LELAH,BLACK	←	Packaged with new wire and old wire and Leaflet ※ attached
NEW	SEPARATE WALL SUB ASSY		9380567028 AJY108LELAH	9380567035 AJY072LELAH	
NEW	CONTROL BOX (INV PART) ASSY		9382453022 SPOT WELD	9382453015 SPOT WELD	

## About original parts before revision change

If there are original parts (shaded in the table below) in parts inventory, please use for the product before revision change.

In the future, if ordered by the part number of the original part, we arrange it with a new part (red letters)

Description		Revision code [None]		Remarks
name	note	Original [Discontinue]	New	
COMPRESSOR SUB ASSY	service unit	9379228046 ANB66FVFMT	9382796006 ANB66FVFMT	
MAIN PCB [for 72 model]	service unit	9710757044 K16GX-1604HUE-C1	9710851025 K16GX-1604SUE-C1	For AO*G72LRLA, ROG72LRLA
MAIN PCB [for 90 model]	service unit	9710757051 K16GX-1605HUE-C1	9710851032 K16GX-1605SUE-C1	For AO*G90LRLA, ROG90LRLA