

### ASYA007GCGH

Please visit our webstore for full product and technical documentation 

Unit Type	Wall Mounted (Internal EEV)
Remote Controller	Option
Nominal Cooling Capacity (kW)	2.2
UK Total Cooling Capacity (kW)	1.6
UK Sensible Cooling Capacity (kW)	1.4
Nominal Heating Capacity (kW)	2.6
UK Heating Capacity (kW)	2.8
Height (mm)	268
Width (mm)	840
Depth (mm)	203
Weight (kg)	8.5
Airflow Rate - Cooling - High (m3/h)	550
Sound Pressure Level - Cooling - High (dB(A))	34
Sound Pressure Level - Cooling - Low (dB(A))	26
Refrigerant Type (Global Warming Potential)	R410A (2,088)
Liquid Pipe Size	1/4"
Gas Pipe Size	3/8"
Unit Power Supply	1Ph-230V-50Hz



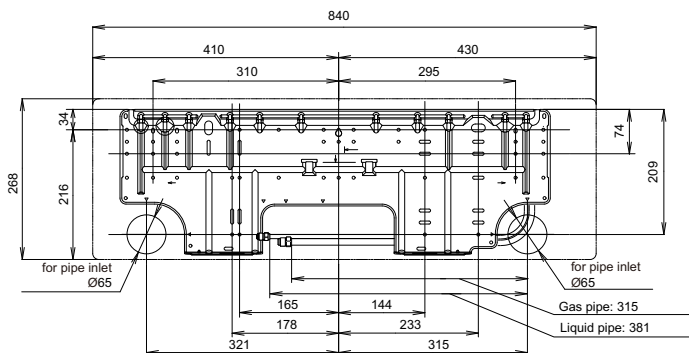
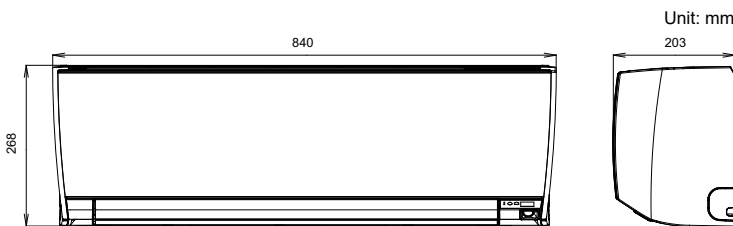
#### Document Downloads

- [Air Distribution](#)
- [Airflow](#)
- [Cooling Capacity](#)
- [Dimensional Drawing](#)
- [Heating Capacity](#)
- [Installation Manual](#)
- [Noise Curve](#)
- [Operation Manual](#)
- [Product Image](#)

- [Spare Parts List All Pages](#)
- [Specifications](#)
- [Wiring Diagram](#)

#### Related Items

- [UTYRNRZ5](#) Touch Screen Remote Controller
- [UTYRCRYZ1](#) Compact Simple Remote controller
- [UTYRSRY](#) Simple Remote Controller (with Master Control)
- [UTYRHRY](#) Simple Remote Controller (without Master Control)
- [UTYLNHY](#) Wireless Remote Controller
- [UTYF5XZ1](#) Wireless LAN interface



\*Specifications and design are subject to change without notice for further improvement.  
 \*Actual products' colors may be different from the colors shown in this printed material.

Distributed by :

**FUJITSU GENERAL AIR CONDITIONING (UK) LIMITED**  
 Unit 150, Centennial Park, Centennial Avenue, Elstree, Borehamwood, Herts, WD6 3SG

[www.fujitsu-general.com/uk](http://www.fujitsu-general.com/uk)

[sales@fgac.fujitsu-general.com](mailto:sales@fgac.fujitsu-general.com)

Tel: +44 (0) 208 731 3450 Fax: +44 (0) 208 731 3451