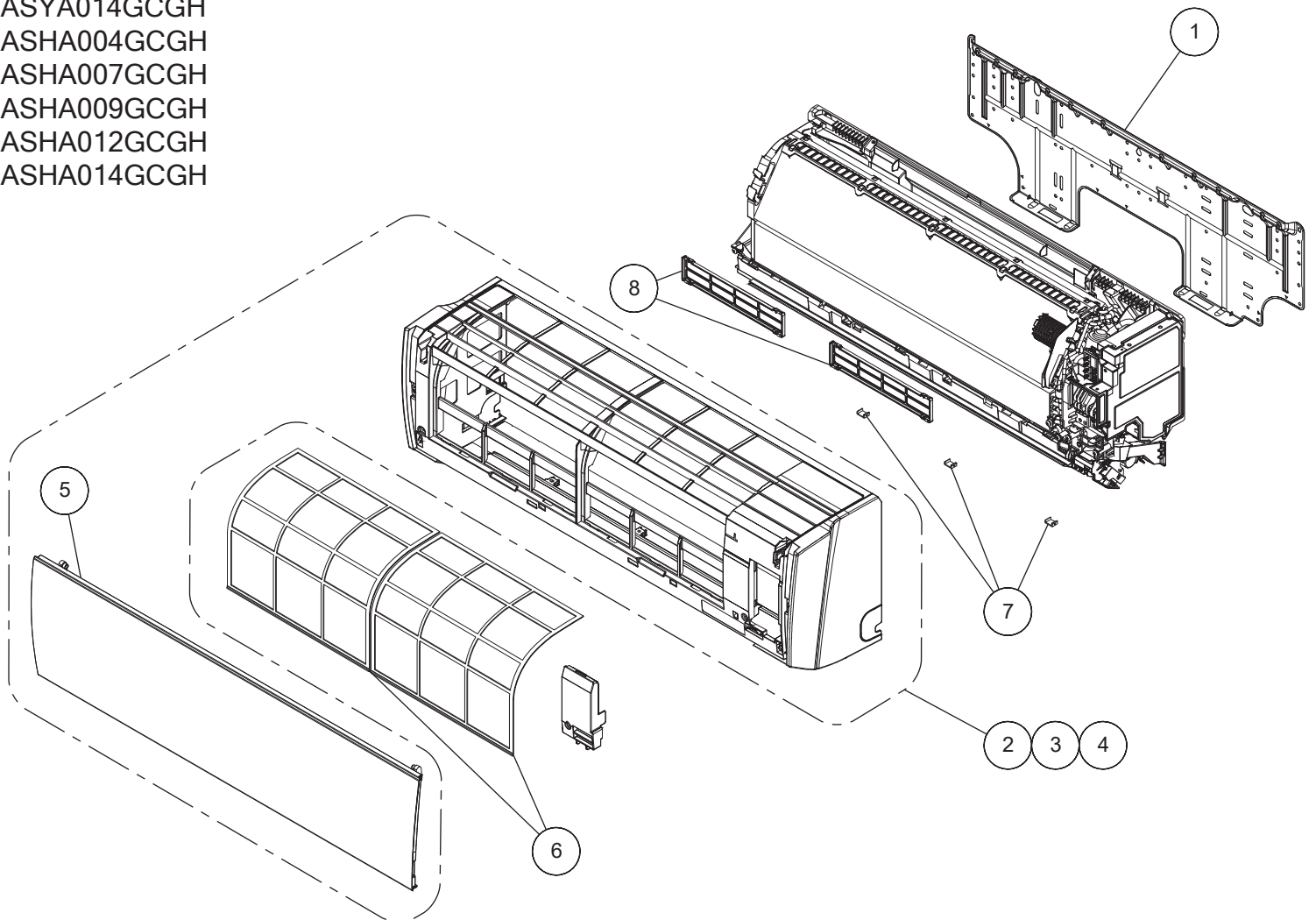
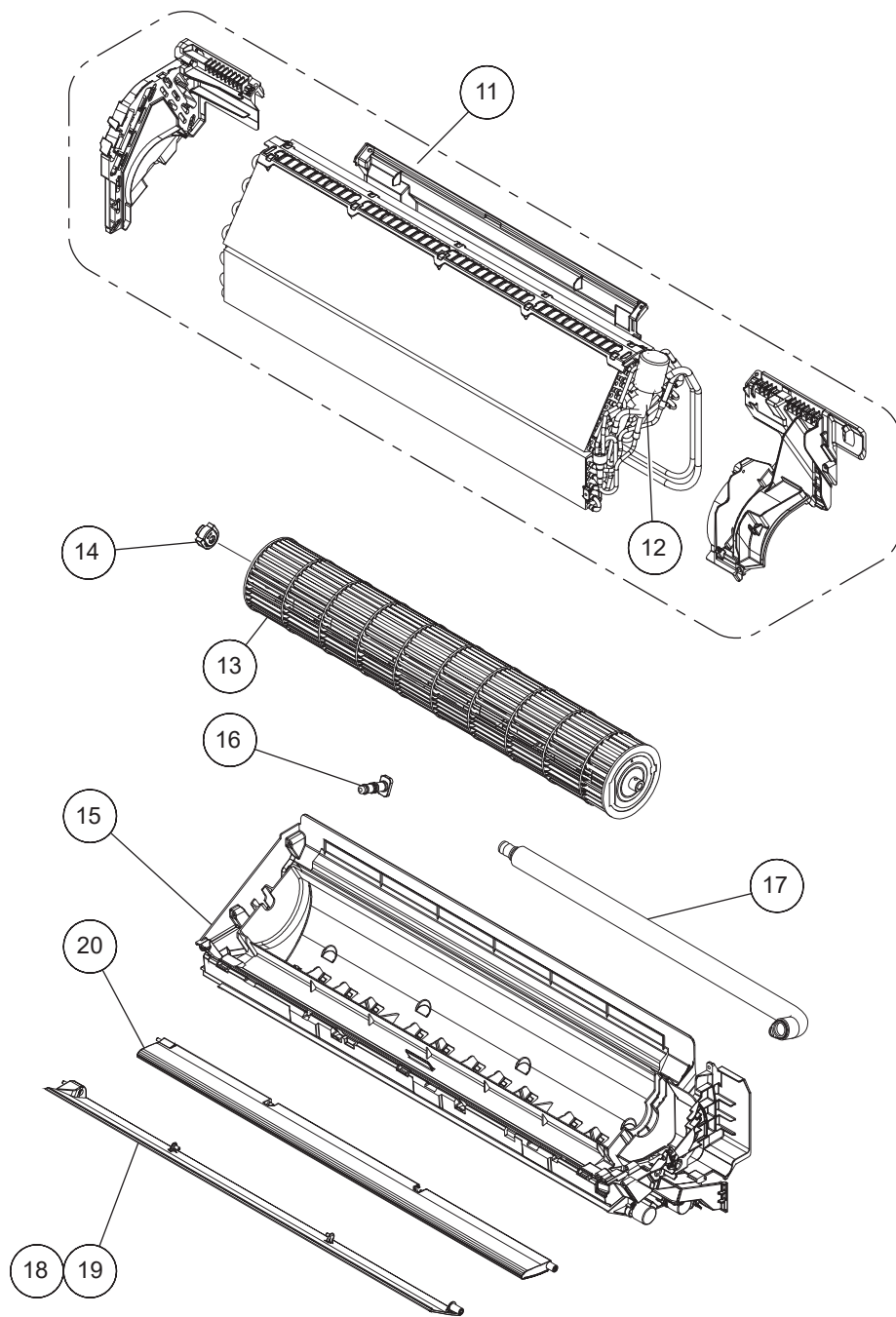


PARTS

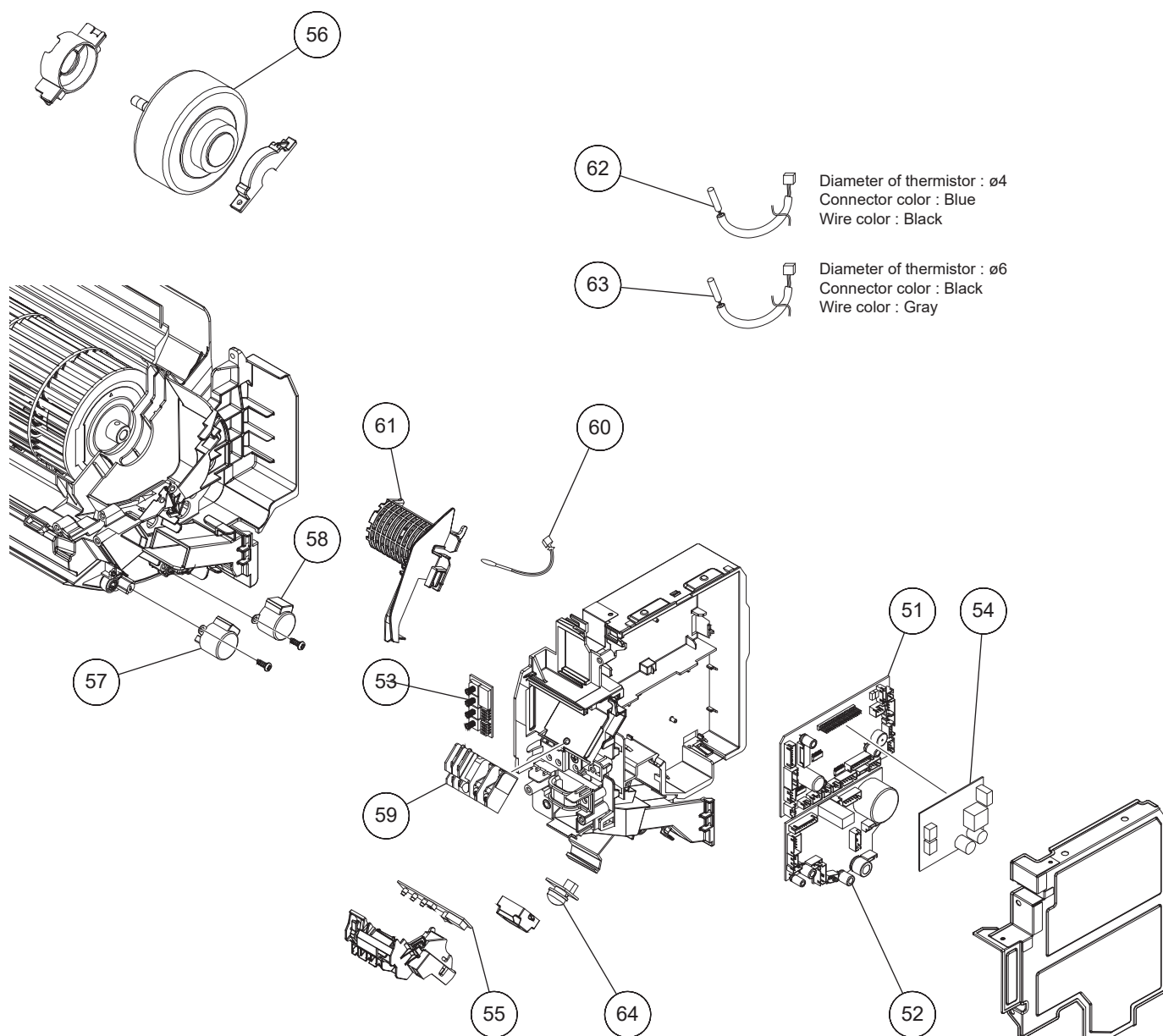
ASYA004GCGH
 ASYA007GCGH
 ASYA009GCGH
 ASYA012GCGH
 ASYA014GCGH
 ASHA004GCGH
 ASHA007GCGH
 ASHA009GCGH
 ASHA012GCGH
 ASHA014GCGH



| Ref No. | Description | Parts No. | | | | |
|---------|----------------------------------|--------------|--------------|--------------|--------------|--------------|
| | | AS* A004GCGH | AS* A007GCGH | AS* A009GCGH | AS* A012GCGH | AS* A014GCGH |
| 1 | BRACKET PANEL | 9332882018 | 9332882018 | 9332882018 | 9332882018 | 9332882018 |
| 2 | FRONT PANEL TOTAL ASSY (FUJITSU) | 9332994186 | 9332994186 | 9332994186 | 9332994186 | 9332994186 |
| | FRONT PANEL TOTAL ASSY (GENERAL) | 9332994193 | 9332994193 | 9332994193 | 9332994193 | 9332994193 |
| 3 | LABEL (FORCE AUTO) | 9382702021 | 9382702021 | 9382702021 | 9382702021 | 9382702021 |
| 4 | LABEL (DISPLAY) | 9332898033 | 9332898033 | 9332898033 | 9332898033 | 9332898033 |
| 5 | INTAKE GRILLE ASSY | 9332996005 | 9332996005 | 9332996005 | 9332996005 | 9332996005 |
| 6 | AIR FILTER | 9332875010 | 9332875010 | 9332875010 | 9332875010 | 9332875010 |
| 7 | CAP (SCREW) | 9309002081 | 9309002081 | 9309002081 | 9309002081 | 9309002081 |
| 8 | HOLDER (ELECTRIC FILTER) | 9332911008 | 9332911008 | 9332911008 | 9332911008 | 9332911008 |
| - | AIR CLEAN FILTER ASSY | 9317250009 | 9317250009 | 9317250009 | 9317250009 | 9317250009 |



| Ref No. | Description | Parts No. | | | | |
|---------|-----------------------|--------------|--------------|--------------|--------------|--------------|
| | | AS* A004GCGH | AS* A007GCGH | AS* A009GCGH | AS* A012GCGH | AS* A014GCGH |
| 11 | EVAPORATOR TOTAL ASSY | 9332989571 | 9332989564 | 9332989564 | 9332989557 | 9332989557 |
| 12 | EXPANSION VALVE | 9970084102 | 9970084102 | 9970084102 | 9970085161 | 9970085161 |
| 13 | CROSS FLOW FAN ASSY | 9316830004 | 9316830004 | 9316830004 | 9316830004 | 9316830004 |
| 14 | BEARING C ASSY | 9306628024 | 9306628024 | 9306628024 | 9306628024 | 9306628024 |
| 15 | CASING ASSY | 9333009087 | 9333009087 | 9333009087 | 9333009087 | 9333009087 |
| 16 | CAP (DRAIN) | 9316177017 | 9316177017 | 9316177017 | 9316177017 | 9316177017 |
| 17 | HOSE (DRAIN) ASSY | 9316904002 | 9316904002 | 9316904002 | 9316904002 | 9316904002 |
| 18 | LOUVER | 9333353005 | 9333353005 | 9333353005 | 9333353005 | 9333353005 |
| 19 | INS (LOUVER) | 9375432119 | 9375432119 | 9375432119 | 9375432119 | 9375432119 |
| 20 | DIFFUSER ASSY | 9332998009 | 9332998009 | 9332998009 | 9332998009 | 9332998009 |
| -- | SPRING (LOUVER) | 9332999006 | 9332999006 | 9332999006 | 9332999006 | 9332999006 |
| -- | SPRING (DIFFUSER) | 9333010007 | 9333010007 | 9333010007 | 9333010007 | 9333010007 |



| Ref No. | Description | Parts No. | | | | |
|---------|--------------------------|--------------|--------------|--------------|--------------|--------------|
| | | AS* A004GCGH | AS* A007GCGH | AS* A009GCGH | AS* A012GCGH | AS* A014GCGH |
| 51 | CONTROLLER PCB | 9710873041 | 9710873041 | 9710873041 | 9710873041 | 9710873041 |
| 52 | POWER SUPPLY PCB | 9710874017 | 9710874017 | 9710874017 | 9710874017 | 9710874017 |
| 53 | SWITCH PCB | 9710644009 | 9710644009 | 9710644009 | 9710644009 | 9710644009 |
| 54 | COMMUNICATION PCB | 9709373026 | 9709373026 | 9709373026 | 9709373026 | 9709373026 |
| 55 | INDICATOR PCB | 9709431054 | 9709431054 | 9709431054 | 9709431054 | 9709431054 |
| 56 | DC MOTOR | 9603269005 | 9603269005 | 9603269005 | 9603269005 | 9603269005 |
| 57 | STEP MOTOR (LOUVER) | 9900790028 | 9900790028 | 9900790028 | 9900790028 | 9900790028 |
| 58 | STEP MOTOR (DIFFUSER) | 9900790035 | 9900790035 | 9900790035 | 9900790035 | 9900790035 |
| 59 | TERMINAL | 9900952006 | 9900952006 | 9900952006 | 9900952006 | 9900952006 |
| 60 | ROOM THERMISTOR | 9900960025 | 9900960025 | 9900960025 | 9900960025 | 9900960025 |
| 61 | ROOM THERMISTOR HOLDER | 9382805005 | 9382805005 | 9382805005 | 9382805005 | 9382805005 |
| 62 | PIPE THERMISTOR (INLET) | 9900622039 | 9900622039 | 9900622039 | 9900622039 | 9900622039 |
| 63 | PIPE THERMISTOR (OUTLET) | 9900623050 | 9900623050 | 9900623050 | 9900623050 | 9900623050 |
| 64 | PYROELECTRIC SENSOR | 9317755061 | 9317755061 | 9317755061 | 9317755061 | 9317755061 |