

### ASYA009GCGH

Please visit our webstore for full product and technical documentation 

| Unit Type                                     | Wall Mounted (Internal EEV) |
|---|-----------------------------|
| Remote Controller                             | Option                      |
| Nominal Cooling Capacity (kW)                 | 2.8                         |
| UK Total Cooling Capacity (kW)                | 2.1                         |
| UK Sensible Cooling Capacity (kW)             | 1.8                         |
| Nominal Heating Capacity (kW)                 | 3.0                         |
| UK Heating Capacity (kW)                      | 3.2                         |
| Height (mm)                                   | 268                         |
| Width (mm)                                    | 840                         |
| Depth (mm)                                    | 203                         |
| Weight (kg)                                   | 8.5                         |
| Airflow Rate - Cooling - High (m3/h)          | 610                         |
| Sound Pressure Level - Cooling - High (dB(A)) | 37                          |
| Sound Pressure Level - Cooling - Low (dB(A))  | 26                          |
| Refrigerant Type (Global Warming Potential)   | R410A (2,088)               |
| Liquid Pipe Size                              | 1/4"                        |
| Gas Pipe Size                                 | 3/8"                        |
| Unit Power Supply                             | 1Ph-230V-50Hz               |



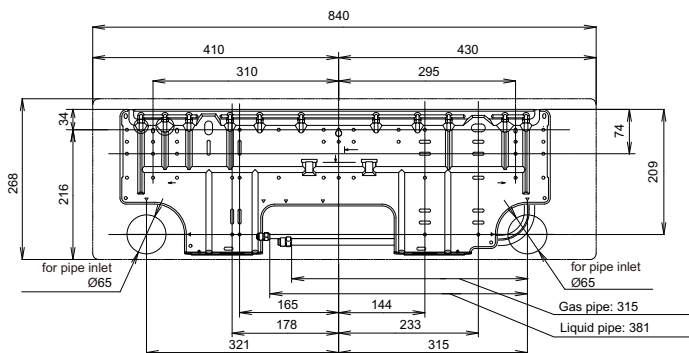
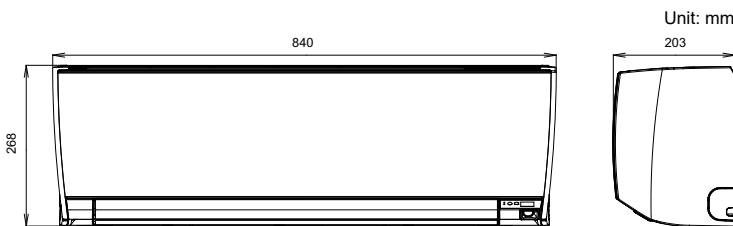
#### Document Downloads

- [Air Distribution](#)
- [Airflow](#)
- [Cooling Capacity](#)
- [Dimensional Drawing](#)
- [Heating Capacity](#)
- [Installation Manual](#)
- [Noise Curve](#)
- [Operation Manual](#)
- [Product Image](#)

- [Spare Parts List All Pages](#)
- [Specifications](#)
- [Wiring Diagram](#)

#### Related Items

- [UTYRNRZ5](#) Touch Screen Remote Controller
- [UTYRCRYZ1](#) Compact Simple Remote controller
- [UTYRSRY](#) Simple Remote Controller (with Master Control)
- [UTYRHRY](#) Simple Remote Controller (without Master Control)
- [UTYLNHY](#) Wireless Remote Controller
- [UTYTFXSZ1](#) Wireless LAN interface



\*Specifications and design are subject to change without notice for further improvement.  
 \*Actual products' colors may be different from the colors shown in this printed material.

Distributed by :

**FUJITSU GENERAL AIR CONDITIONING (UK) LIMITED**  
 Unit 150, Centennial Park, Centennial Avenue, Elstree, Borehamwood, Herts, WD6 3SG

[www.fujitsu-general.com/uk](http://www.fujitsu-general.com/uk)

sales@fgac.fujitsu-general.com

Tel: +44 (0) 208 731 3450 Fax: +44 (0) 208 731 3451